

SPECIFICATION SHEET

2032-DROP BOTTOM SKIP



The 2032 drop bottom skip has been designed for the quick easy movement and tipping of bulk waste.

With the whole of the floor area opening to ensure no waste gets “snagged during tipping.

This unit can be used by crane or fork lift and is supplied with restraint chain to ensure unit is secured to forks at all times during operation.

Appearance may vary from picture above.

Product Code	SWL (kg)	Capacity (Itrs)	Height (mm)	Width (mm)	Length (mm)	Weight (kg)
2032.8	1000	500	650	900	1330	170
2032.12	2000	1000	1070	900	1360	245
2032.14	2000	1500	1070	900	1930	270
2032.16	2000	2000	1370	900	1930	310

WORKING INSTRUCTIONS

The following instructions must be read and understood by each intended user of this equipment; if there is anything you do not understand contact Eichinger Equipment Ltd.

Ensure the equipment is adequate for the job you need to carry out.

You must not operate this equipment if you are under the influence of alcohol, drugs or if you are feeling unwell.

A risk assessment should be carried out prior to moving or using this equipment.

The following PPE (Personal protective equipment) should be worn when using this equipment:

Gloves / Goggles / Hard Hat / Steel Toecap boots / Hi-Vis Vest

We also suggest suitable clothing should be worn.

Familiarise yourself with the equipment, its use and how it works!

As this equipment is used at multi-level, ensure the intended area for use is clear of overhead cables and power lines or similar hazards which may affect its safe use. This equipment must always be used in conjunction with your site safety policies.

The work area must be clear of obstructions with adequate space for the operative to work safely around the equipment. Check and ensure the equipment is inspected and in a safe condition prior to its use. Also ensure that its load is stable and secure.

SETUP & OPERATION

The 2032 drop bottom skip has been designed for the quick easy movement and tipping of bulk waste.

FOR USE WITH A TELEHANDLER / FORKLIFT

Set the forklift forks to the correct width to line up with the skips "lifting handles". Drive the forks into the lifting handles so that the skip is all the way back on the forks.

Ensure that the skip is lifted in a way so that when the skip is discharged the drop door opens against towards the truck. This will avoid any debris or spoil hitting the truck.

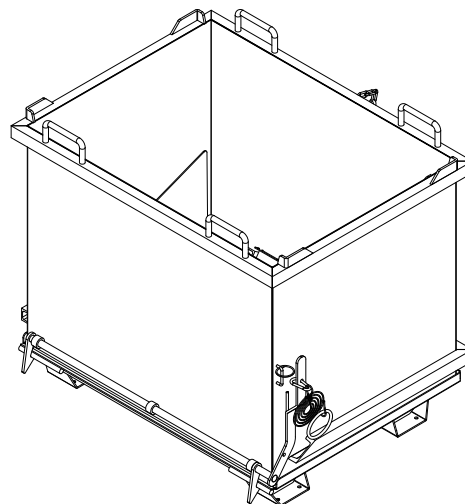
Once the forks are fully inserted use the restraint chain to secure the skip to the forklift truck.

CAUTION: The restraint chain is not designed to take a shock load and so should be as tight as possible to reduce any risk of snapping.

The skip should always be moved around site at a minimum safe level and only lifted to an emptying height once in the immediate area where the skip is to be emptied.

Once ready to empty the skip lower it to the floor. Pull the release lever. Slowly lift the skip while pulling the release lever, as the height increases the load will be allowed to exit the skip without any sudden changes in load.

Once the skip is empty slowly lower the skip back to the ground. Once the door gently touches the ground start to reverse slowly as you continue to lower the skip. This will allow the door to close safely without undue loads being placed on the door hinges.



WORKING INSTRUCTIONS

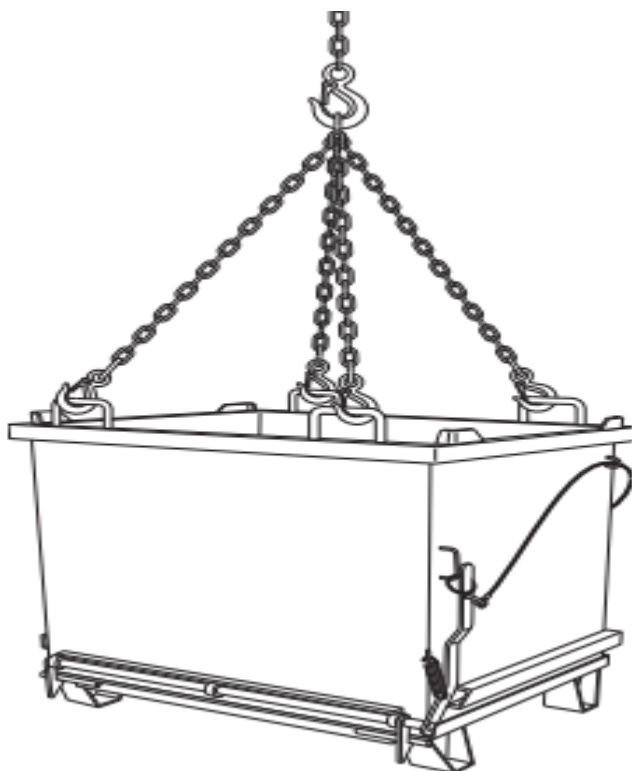
FOR USE WITH A CRANE

The 2032 Drop Bottom Skip is designed for lifting with a 4 leg chain.

Ensure the skip is landed on a flat and even surface prior to filling. When filling ensure that the load does not exceed the stated safe working load, is evenly spread throughout the skip and is kept below the height of the sides of the skip.

To transport the skip attach a suitably rated 4 leg chain to the lifting eyes ensuring the hooks are securely closed prior to lifting. Once satisfied that the hooks are secure, raise the skip just off of the ground and check the skip is balanced. You may now transport the skip to it's required destination ensuring you adhere to you lift plan / method statement.

Ensure no one is in the discharge area, to discharge, land the skip in the discharge zone, and pull the lever either directly or by pulling the attached cable, move away from the discharge zone and slowly raise the skip trying to ensure the drop down door maintains contact to the ground, this minimises any sudden movement in the load. Ensure the skip is full empty and then land on level ground to automatically close the door.



CLEANING & STORAGE

Having completed the work required lower the skip to the intended storage location, ensuring the area is clear.

Disengage the lifting hook from the skip and ensure that the skip is clean and ready for its next intended use.

