

TSZ
Screw clamp
for three-dimensional pulling

Capacity 500 - 7500 kg

The TSZ screw clamp is designed to pull in three directions. It offers many different possibilities for transporting steel constructions, feeding machining centres, etc.

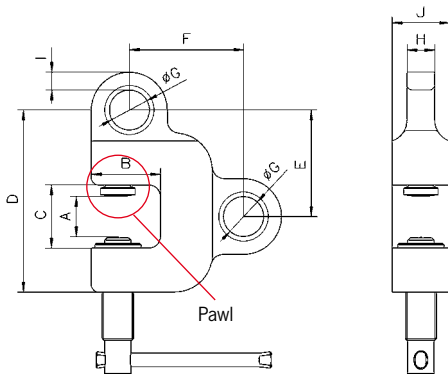
The spindle is closed only finger tight.

When the screw clamp is tightened and lifting begins, the pivoting pad clamping system produces a wedging action against the material, holding it securely (see below functional drawing).



INFO

The plate surface of the material must not exceed a hardness level of HRC 50.

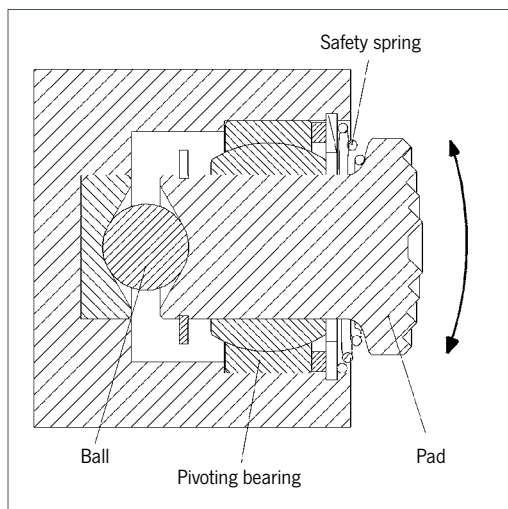


Technical data TSZ

Model	Art.-No.	Capacity kg	Jaw capacity mm	Weight kg
TSZ 0,5	N51502410	500	0 - 28	2.3
TSZ 1,5	N51502411	1500	0 - 35	5.6
TSZ 3,0	N51502412	3000	0 - 35	8.8
TSZ 5,0	N51502413	5000	0 - 40	16.2
TSZ 7,5	N51502414	7500	0 - 40	20.9

Dimensions TSZ

Model	TSZ 0,5	TSZ 1,5	TSZ 3,0	TSZ 5,0	TSZ 7,5
A, mm	28	35	35	40	40
B, mm	43	60	67	85	92
C, mm	45	55	65	75	75
D, mm	125	158	195	230	240
E, mm	72	93	114	133	143
F, mm	83	99	120	150	162
Ø G, mm	26	35	46	55	65
H, mm	16	24	34	40	50
I, mm	12	16	17	18	23
J, mm	35	50	60	75	80



Functional drawing pivoting pad