

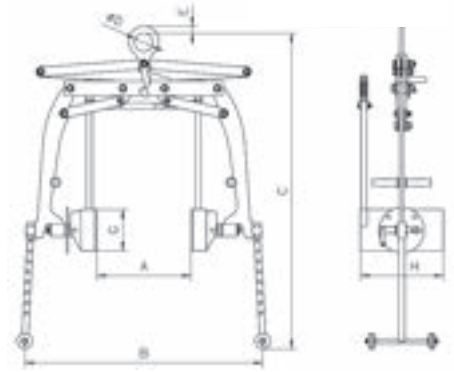
DBT300 DRUM GRAB



The DBT drum grab with tipping device has been designed for the transportation, lifting, placing down, turning over and emptying of barrels.

In order to tip the drums easily, they must be picked up at the correct centre of gravity.

NB: These grabs are designed for use with STEEL DRUMS only.



Model	WLL kg	Jaw Capacity Ø mm	A mm	B mm	C mm	D mm	E mm	F mm	G mm	H mm	Weight kg
DBT	300	400 - 600	630	1150	1525	90	34	15	200	400	83

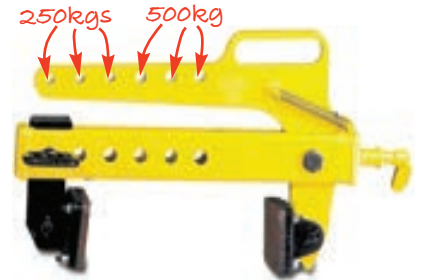
TSA 'LIGHT WEIGHT' BLOCK GRAB



Block grab model TSA Capacities 250/500kg

The TSA block grab is useful for the transport of stone and concrete blocks, such as kerb stones as well as other materials with parallel surfaces. The grab has a protective lining to ensure a safe and non-marking transport.

The clamping jaw and the centre of gravity are easily and quickly adjustable by means of the locking pin.



Model	WLL kg	Jaw capacity mm	Weight kg
TSA 500	250/500	0 - 240	13.5

NB: It is important that the surfaces are dry, clean and free of oil and grease.

TPR PROFILE STEEL GRAB



The TPR profile steel grabs are specifically designed for the handling and transportation of steel girders in the 'I' configuration.

They boast a large jaw capacity, which makes them useful for various beam widths.

The clamping jaws press securely with a positive fit to the girder.



Model	WLL kg	Inside diameter mm	Weight kg
TPR 500	500	0 - 200	15
TPR 1500	1500	0 - 300	24
TPR 3000	3000	0 - 300	47