

# PP PILE PULLING CLAMPS



The PP pile pulling clamps are designed to pull out driven piles or trench shielding. The clamps have a narrow opening and a deep slot to ensure that the pile is gripped firmly. It is extremely difficult to determine the forces required to pull out driven piles so it is recommended that a load indicator is used to ensure the WLL of the clamp is not exceeded.

The PP clamp is supplied as standard with a double locking mechanism to ensure that the clamp remains 'locked on' and cannot become unlocked during the extraction of the pile.

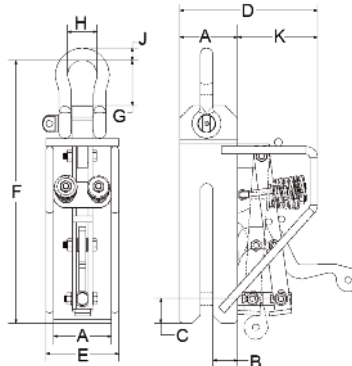
Model	WLL kg	Jaw capacity mm	Throat depth mm	Weight kg
PP 3	3000	0 - 16	147	12
PP 8	8000	0 - 30	194	28

\*Shackle NOT included on PP clamps.

# CP PILE PITCHING CLAMPS

The CP pile pitching clamps are specifically designed for pitching sheet steel piling. These clamps come fitted with a 15 metre length of rope which allows the clamp to be released from the ground. The clamp comes fitted as standard with a shackle.

**NB:** These clamps are **NOT** designed for extracting driven piles.



Model	WLL kg	Jaw width mm	Throat depth mm	Pin dia. mm	A mm	B mm	C mm	D mm	E mm	F mm	G mm	H mm	J mm	K mm	Weight kg
CP 2	2000	20	228	20	90	38	38	215	114	411	71	46	19	200	19
CP 3	3000	26	228	30	100	40	38	225	124	438	91	63	25	200	22
CP 5	5000	35	228	30	115	45	38	240	139	477	117	82	32	200	28

# PH PIPE HOOKS

The PH pipe hooks are used in pairs for the safe transport of pipes. The shackles are included with the hooks.

**PH for 60° - 90° top angle between chains:**

Model	WLL kg*	Pipe wall thickness (without lining**) mm	Weight kg*
PH 2/A	2000	0 - 40	2.4
PH 4/A	4000	0 - 50	5.6
PH 6/A	6000	0 - 60	8.3
PH 8/A	8000	0 - 70	13.5
PH 10/A	10000	0 - 80	17.8

\*Per pair.



Sold in pairs complete with shackles. (chains not supplied)

