

# Yale **UNOplus** Series A *new!*

The *UNOplus-Series A* ratchet lever hoist is the result of further technical development of the *UNOplus*, which has proven itself over many years.

The versatile tool for lifting, pulling and securing of loads is characterised by its compact design, robust stamped steel construction and the smoothly running free chaining device. The further reduced weight optimizes operation, makes the application even more comfortable and the *UNOplus-Series A* to a convenient, versatile device.

## CAPACITIES 750 - 6000 KG

---

### BENEFITS & FEATURES

#### EASY TO USE

Due to optimized gearing and improved bearings in the housing cover a minimum effort is required to operate the short hand lever.

#### RUGGED DESIGN

Impact resistant stamped steel frame and gear cover withstands repeated rigorous use.

#### LOAD PRESSURE BRAKE

Even today, the load pressure brake, based on the principle of Thomas Weston's patent of 1875, is still used in our manual hoists.

#### EASY & SMOOTH FREE CHAINING

For quick take up and positioning of slack chain – even with one hand. Designed not to accidentally free chain while under load. Cast chain end stop allows the user to easily position the chain in free-chaining mode and prevents it from entering the liftwheel and jamming the hoist.

#### RELIABLE LOAD GUIDANCE

The load chain runs in the load sheave and is secured against unintentional slipping by the closed chain guide.

#### NON SLIP RUBBER HANDLE GRIP

Comfortable rubber grip provides for extra protection against slippage.

#### CORROSION PROTECTION

Robust chain guide, chain stripper and parts of the brake are zinc-plated and yellow-chromated for corrosion protection.

#### EASY-TO-INSPECT SWIVEL HOOKS

Bolt on hooks with nyloc nuts simplify the inspection process. Hooks are forged, allowing them to yield under overload without breaking. Cast safety latches provide positive and secure load engagement.

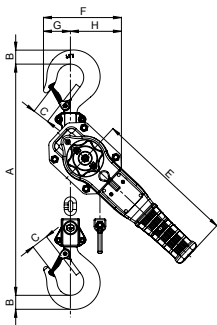


## Technical data UNOplus-A

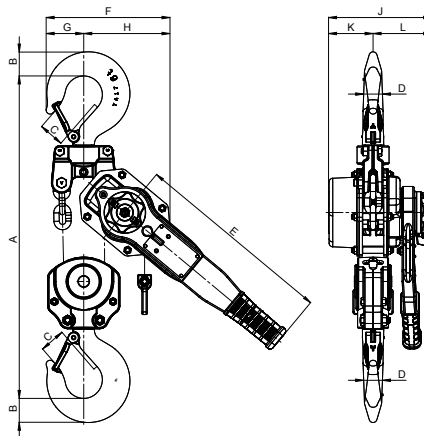
Model	Art.-No.	Capacity kg	Number of chain falls	Chain dimensions d x p mm	Lift with one full lever turn mm	Handle pull at WLL daN	Weight at standard lift (1.5m) kg
UNOplus-A 750	192049841	750	1	5.6x17.1	27	22	6.3
UNOplus-A 1500	192049940	1500	1	7.1x21	22	35	9.2
UNOplus-A 3000	192050025	3000	1	10x28	20	40	16.9
UNOplus-A 6000	192050579	6000	2	10x28	10	43	28.6

## Dimensions UNOplus-A

Model	UNOplus-A 750	UNOplus-A 1500	UNOplus-A 3000	UNOplus-A 6000
A min., mm	312	375	445	563
B, mm	20	26	37	45
C, mm	27	31	40	47
D, mm	18	21	28	35
E, mm	267	267	376	376
F, mm	121	146	180	232
G, mm	40	51	57	71
H, mm	81	95	123	161
J, mm	144	164	193	193
K, mm	53	68	83	83
L, mm	91	96	110	110



UNOplus-A, 750 - 3000 kg,  
single fall



UNOplus-A, 6000 kg,  
double fall



COMPACT & TRANSPORTABLE  
**UNIVERSALLY USABLE  
 & USER FRIENDLY**  
 LIGHTWEIGHT & CAN BE USED IN  
 THE SMALLEST AREAS.