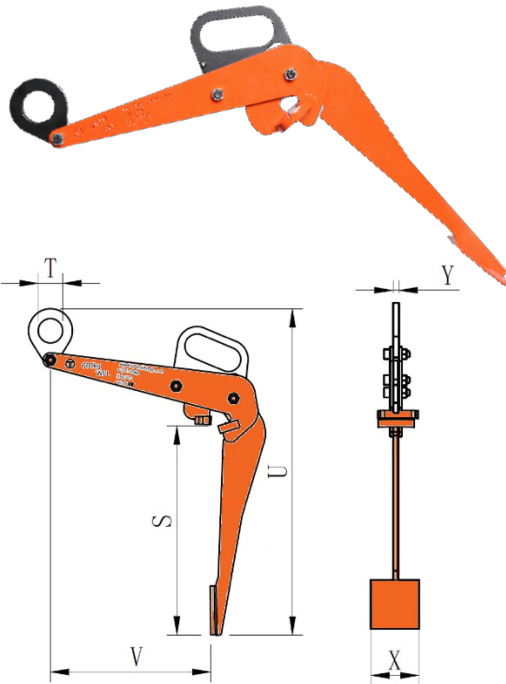


CDV - Vertical Drum Clamp



The Tiger CDV-0060 drum clamp has been designed to lift and transport drums in the vertical position.

One clamp can be used to lift drums with or without their lids by gripping the rim of the drum. Its lightweight and small overall design makes it ideal for picking up drums that sit tightly on pallets. The centre of gravity of the drum is below the lifting point during transportation.

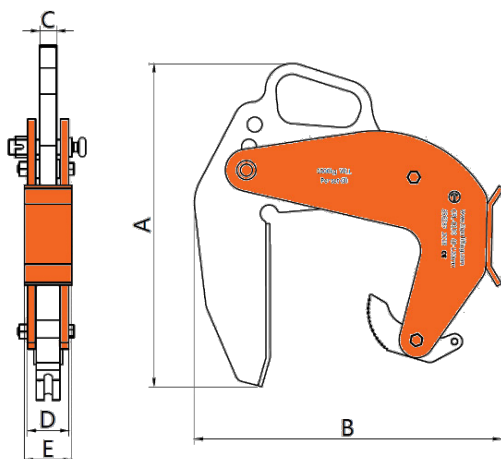
Product Code	Capacity (tonne)	Dimensions (mm)						Net Weight (kg)
		U (mm)	S (mm)	V (mm)	T (mm)	X (mm)	Y (mm)	
CDV-0060	0.6	765	434	305	50	100	12	7.0



CPL - Pipe Lifting Clamp



The Tiger CPL pipe lifting clamps are used in sets of three for the vertical transportation of concrete pipe sections with a diameter of up to 2m. The jaw capacity is designed for pipe thickness of 40-120mm for the 1.5t capacity set and 90-220mm for the 3.0t capacity set. Attachment and removal of the clamps from the pipe is extremely easy due to the simple and straightforward design. For concrete according to DIN4034. The capacities shown are based on a set of three clamps.



Product Code	Capacity (tonne)*	Jaw Opening (mm)	Dimensions (mm)					Net Weight (kg)
			A (mm)	B (mm)	C (mm)	D (mm)	E (mm)	
CPL-0150	1.5	40-120	415	361	20	54	64	12.3
CPL-0300	3.0	90-220	490	486	25	61	70	27.5

*Capacity per set of three