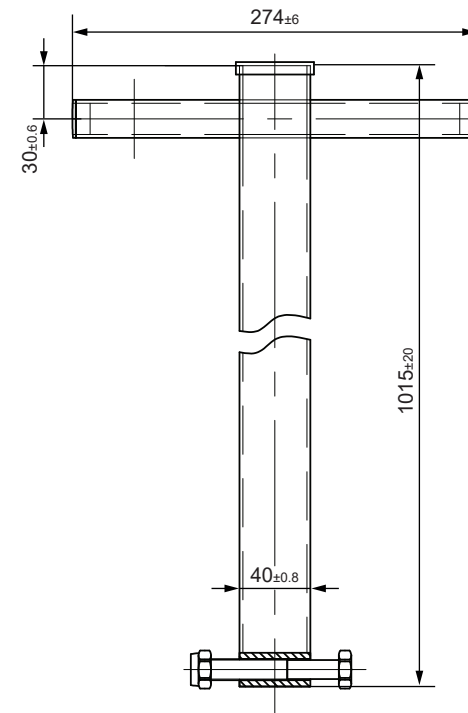
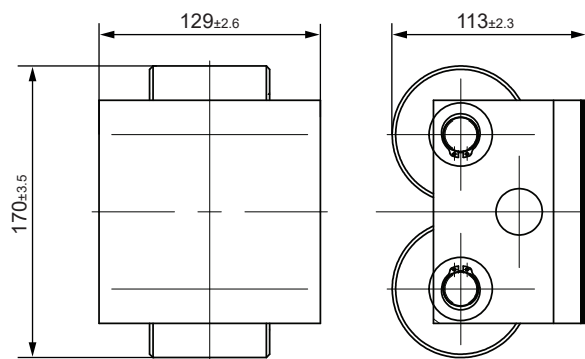


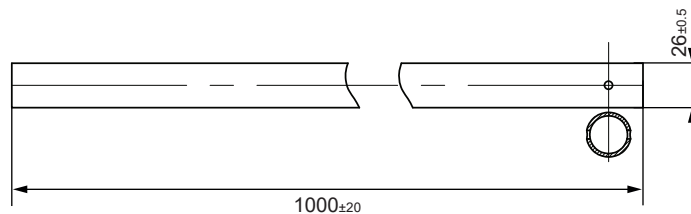
1. VMMS4S



HAND LEVER

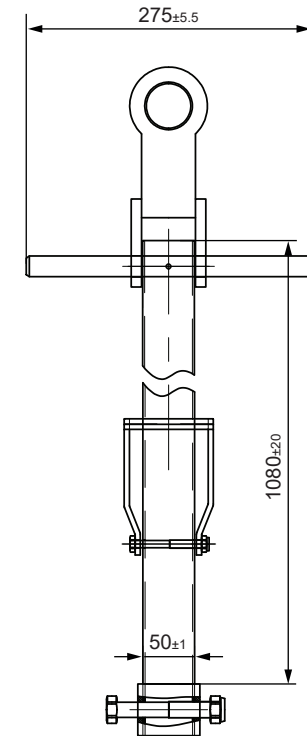
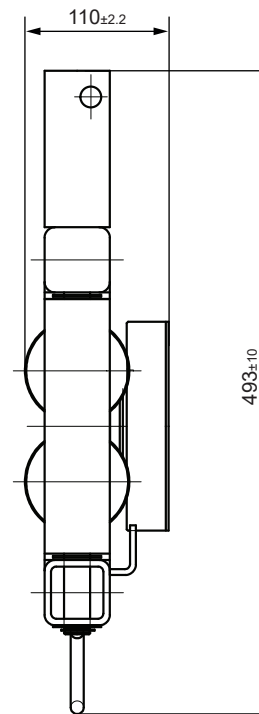
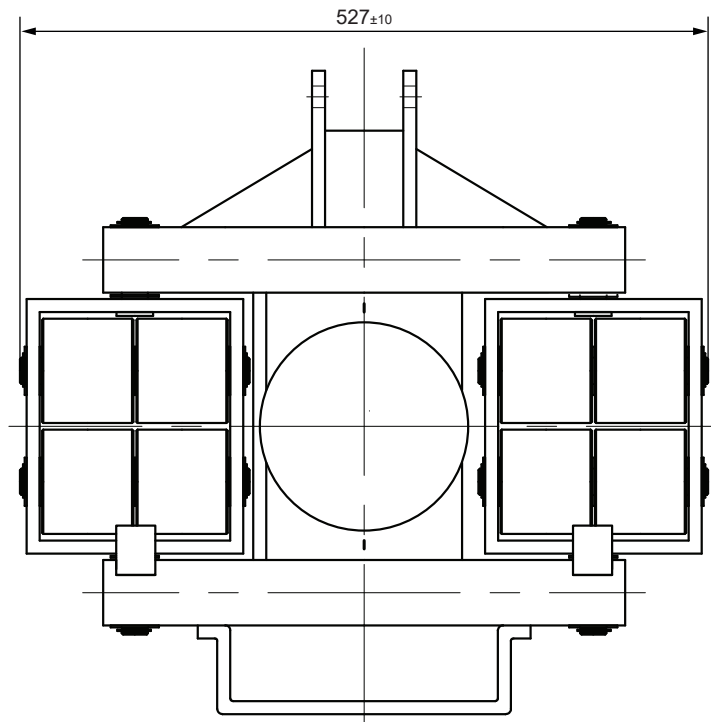


2. VMMS2T



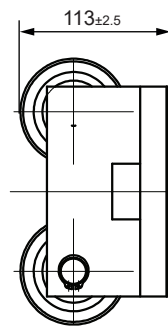
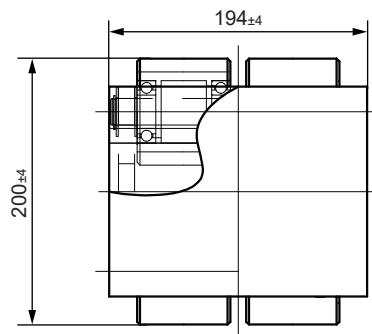
CONNECTOR BAR

Assembly (8t) consists of the following:		
Item	Product	Qty
1.	VMMS4S - 4T STEERING SECTION	1
2.	VMMS2T - 2T TRAILING SECTION	2
3.	TRAILING SECTION CONNECTOR BAR	1
4.	STEERING SECTION HAND LEVER	1
8 TONNE MACHINERY MOVING SKATE SET		

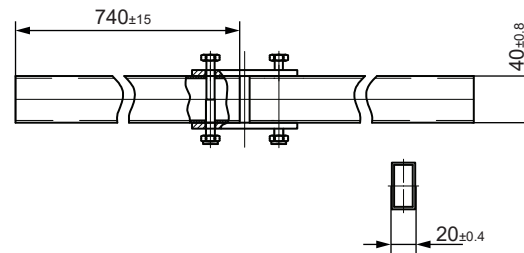


HAND LEVER

1. VMMS8S



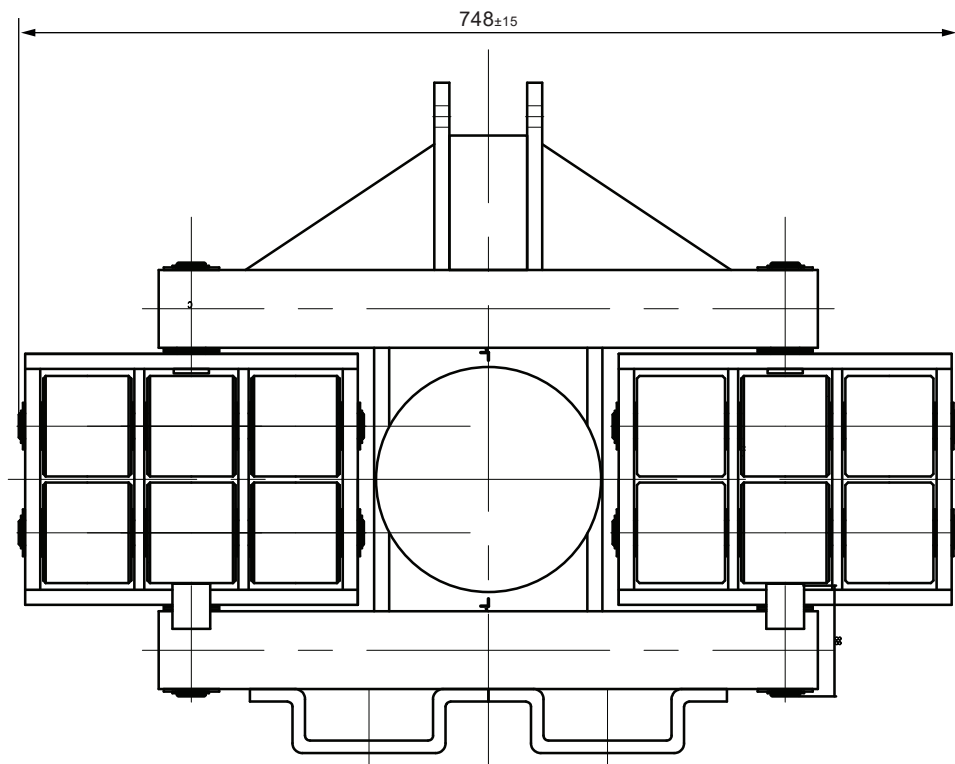
2. VMMS4T



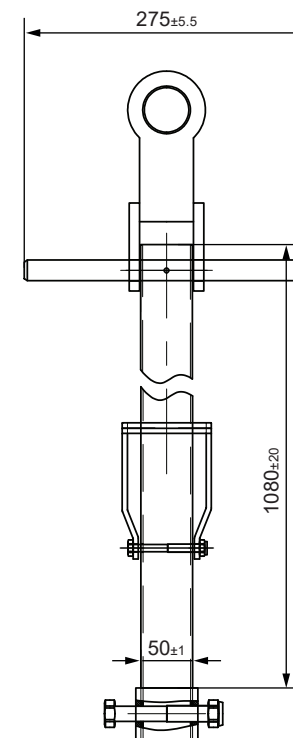
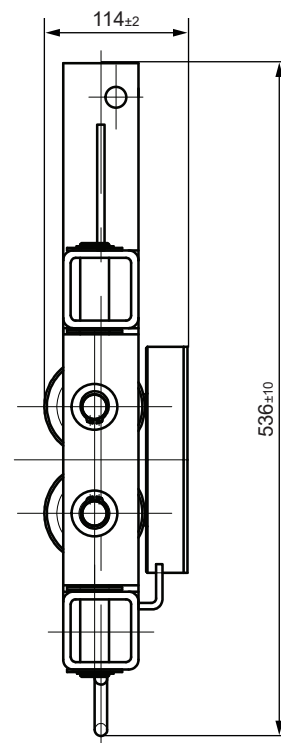
CONNECTOR BAR

Assembly (16t) consists of the following:		
Item	Product	Qty
1.	VMMS8S - 8T STEERING SECTION	1
2.	VMMS4T - 4T TRAILING SECTION	2
3.	TRAILING SECTION CONNECTOR BAR	1
4.	STEERING SECTION HAND LEVER	1

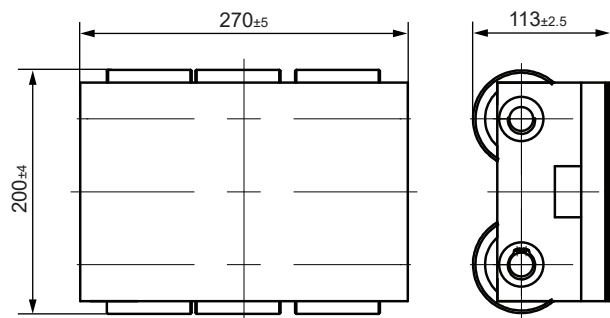
16 TONNE MACHINERY  
MOVING SKATE SET



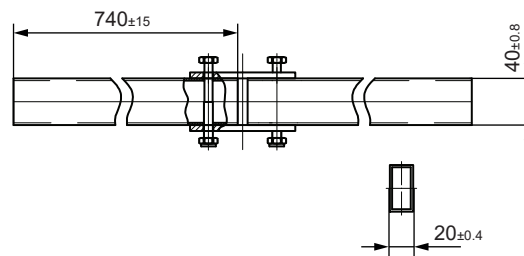
1. VMMS12S



HAND LEVER



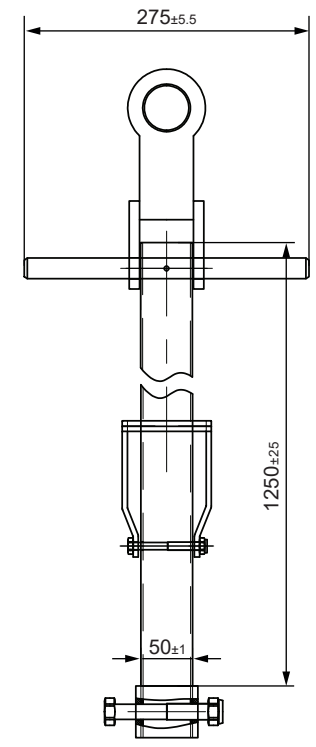
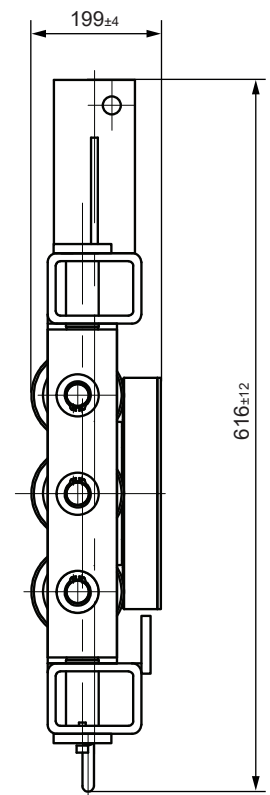
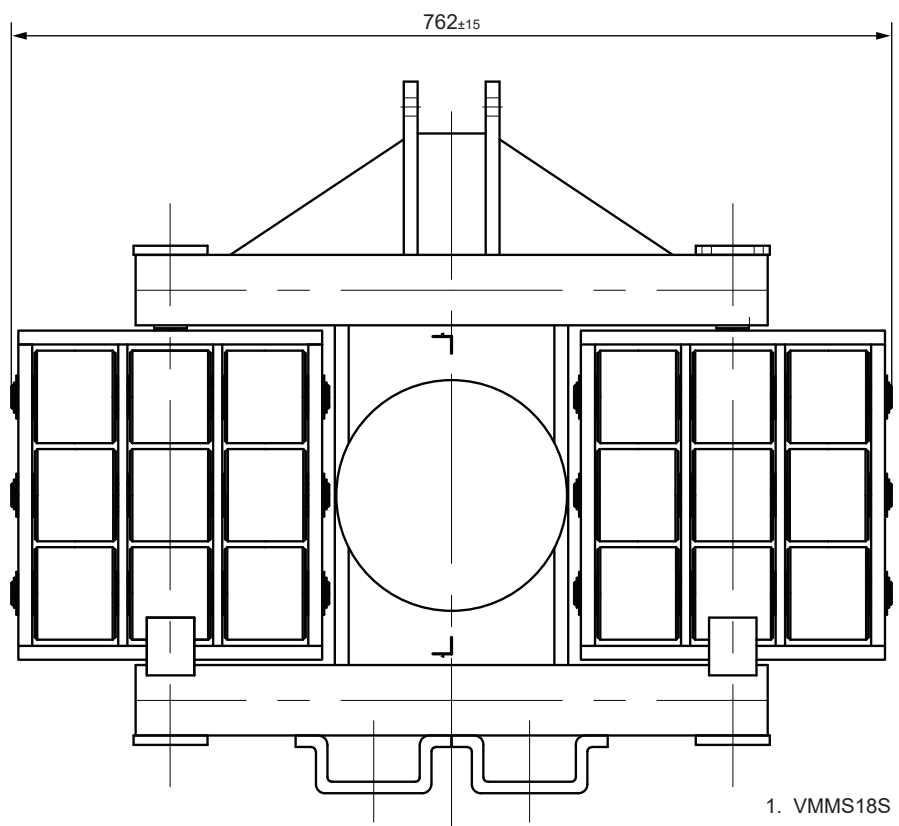
2. VMMS6T



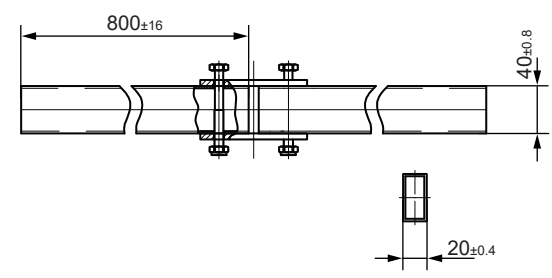
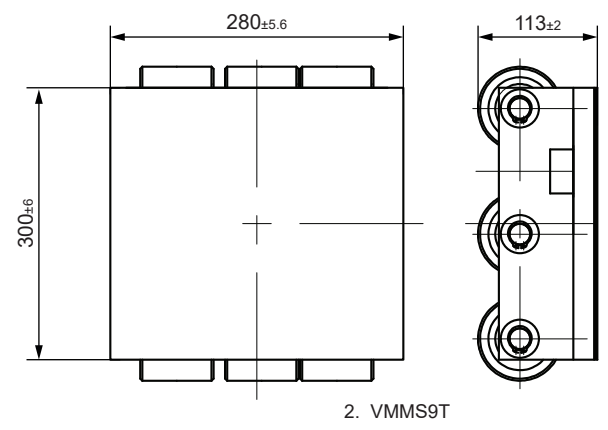
CONNECTOR BAR

Assembly (24t) consists of the following:		
Item	Product	Qty
1.	VMMS12S - 12T STEERING SECTION	1
2.	VMMS6T - 6T TRAILING SECTION	2
3.	TRAILING SECTION CONNECTOR BAR	1
4.	STEERING SECTION HAND LEVER	1

24 TONNE MACHINERY MOVING SKATE SET



HAND LEVER

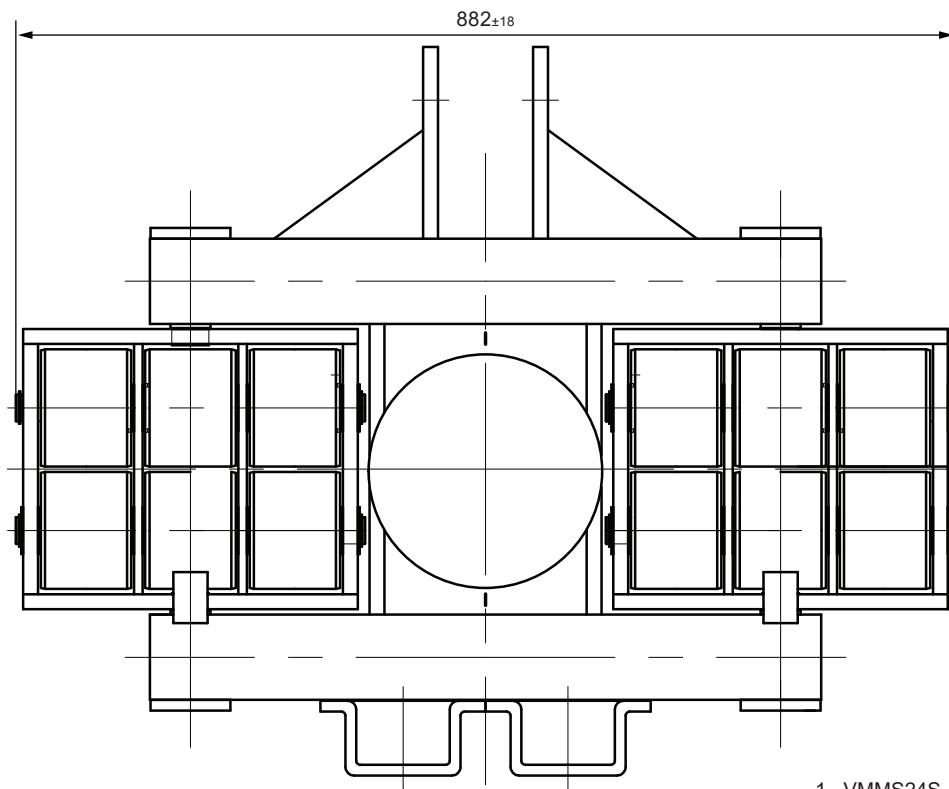


CONNECTOR BAR

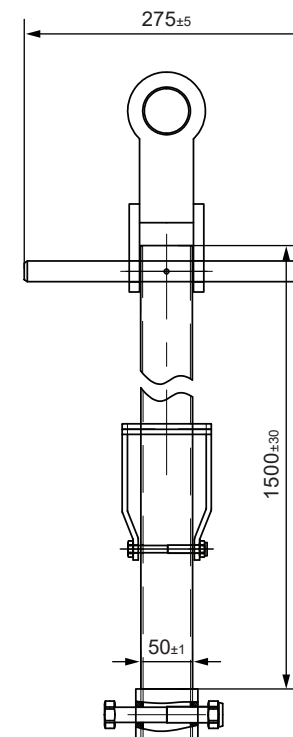
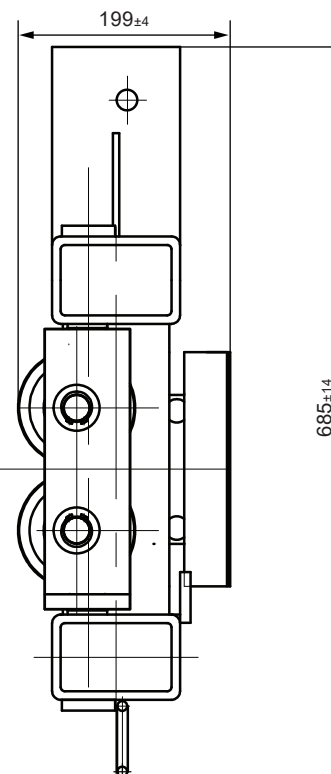
Assembly (36t) consists of the following:

Item	Product	Qty
1.	VMMS18S - 18T STEERING SECTION	1
2.	VMMS9T - 9T TRAILING SECTION	2
3.	TRAILING SECTION CONNECTOR BAR	1
4.	STEERING SECTION HAND LEVER	1

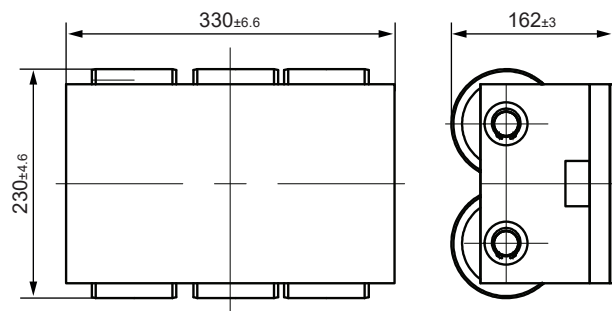
36 TONNE MACHINERY MOVING SKATE SET



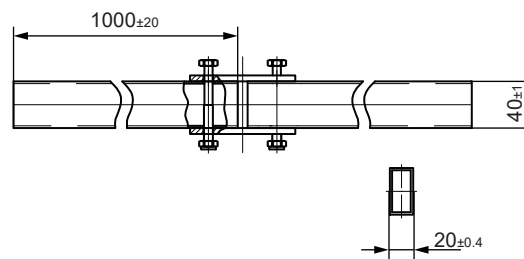
1. VMMS24S



HAND LEVER



2. VMMS12T



CONNECTOR BAR

Assembly (48t) consists of the following:		
Item	Product	Qty
1.	VMMS24S - 24T STEERING SECTION	1
2.	VMMS12T - 12T TRAILING SECTION	2
3.	TRAILING SECTION CONNECTOR BAR	1
4.	STEERING SECTION HAND LEVER	1

48 TONNE MACHINERY  
MOVING SKATE SET