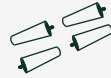


THE SOFA IN A  
**SNUG**  
BOX COMPANY

THE  
**footstool**  
IS MADE  
UP OF:



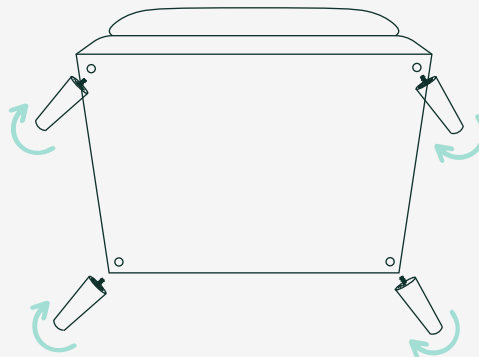
4 X LEGS



1 X FOOTSTOOL BASE  
WITH CHUSION

1

Put my legs on by twisting them **clockwise**.  
Make sure they are **tightly fixed** to the base.



2

Tadaaa! Now put your feet  
up and enjoy some Netflix.

