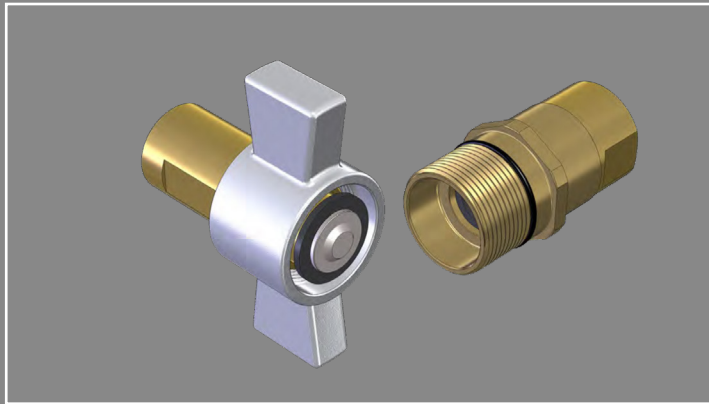
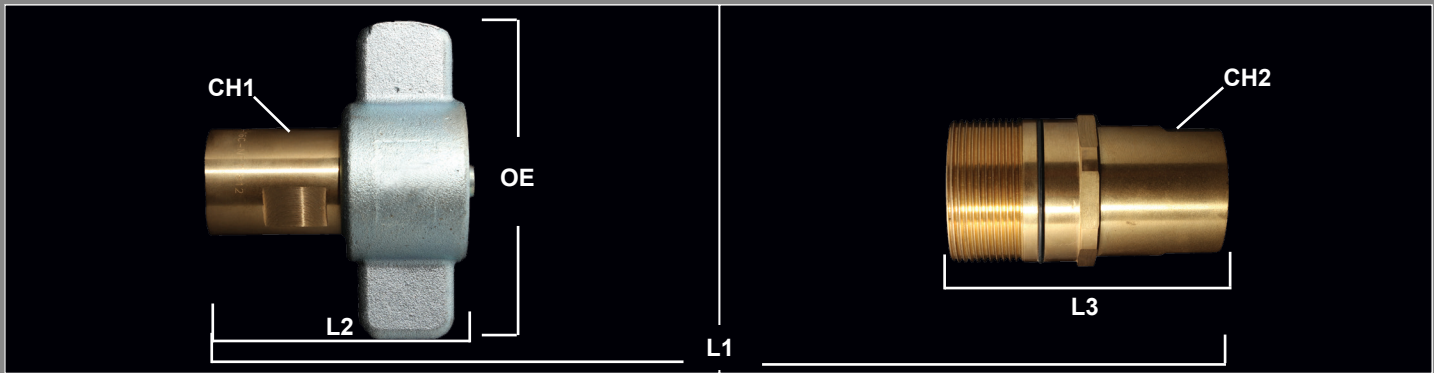


# VFF SERIES QUICK COUPLINGS

Brass Wing Style - Screw to Connect  
 Sizes: 3/4" thru 1-1/2"



## Features and Applications

- Connect and disconnect under residual pressure
- Wing or Hex Nut
- Universal design for interchangeability
- Used frequently in oilfield applications
- Wet line kits

## MATERIALS

Body: Brass  
 Wing Nut: Carbon Steel  
 Seals: NBR standard seals  
 Threads: NPT

## MAJOR INTERCHANGES

Parker 6100      Faster FB  
 Safeway S51      Aeroquip 5100  
 Dixon W          SnapTite 78  
 Tomco A51

## DIMENSIONAL & PRESSURE RATING DATA

Body Size	CH1	CH2	OE	L1	L2	L3	Optimal Flow Rate (GPM)	Max Working (PSI)
12	1.15	1.32	4.07	5.26	3.09	3.09	35	3,000
16	1.44	1.57	4.41	6.10	3.73	3.55	55	3,000
20	1.78	1.90	5.20	6.50	3.94	3.72	80	3,000
24	2.00	2.26	5.32	8.30	4.10	4.10	110	2,500

units: inches

## ORDERING INFORMATION

QUICK COUPLING PART NUMBERING SYSTEM:

**VFF - 12 - 12 - C - NPT**

