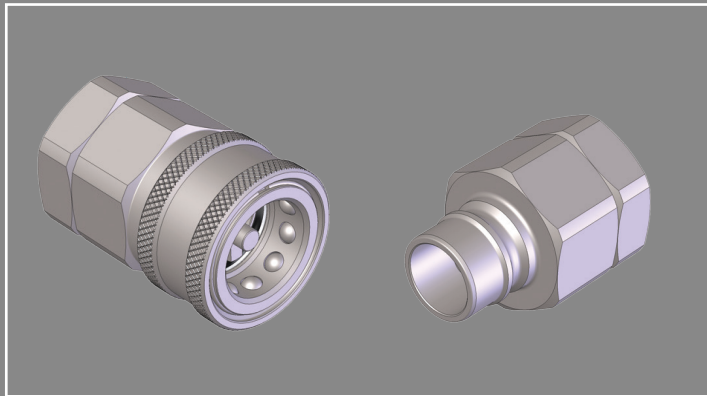
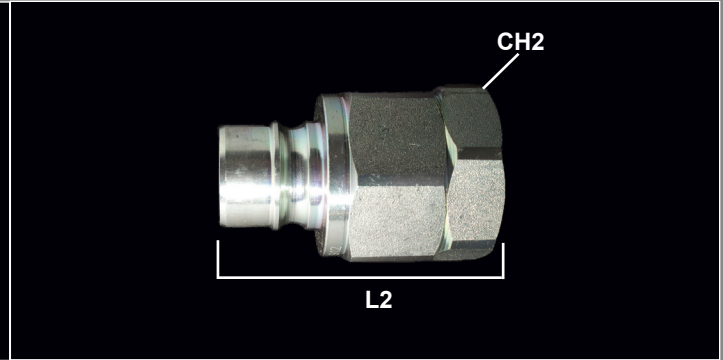
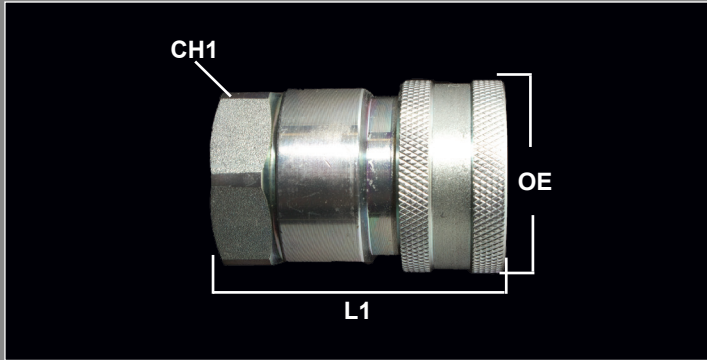


TNV SERIES QUICK COUPLINGS

General Purpose
 Sizes: 1/4" thru 2"



Features and Applications

- Manual connect and disconnect
- Primary uses are Machine Tools, Test Equipment and Oilfield Service Equipment

MATERIALS

Body: Carbon Steel
 Finishing: ZN-Fe (CRIII)
 Seals: NBR standard seals
 Threads: NPT

MAJOR INTERCHANGES

Faster TNV Dixon V
 SnapTite H

DIMENSIONAL & PRESSURE RATING DATA

Body Size	CH1	CH2	OE	L1	L2	Optimal Flow Rate (GPM) (Connected)	Max Working (PSI)
04 (female thread)	.88	.88	.99	1.68	1.62	4.5	3,916
04 (male thread)	.88	.88	.99	2.12	2.06	4.5	3,916
06	1.00	1.00	1.18	1.94	1.87	6.5	4,357
08	1.19	1.19	1.36	2.13	1.99	17	3,150
12	1.50	1.50	1.67	2.47	2.31	35	2,700
16	1.88	1.88	2.06	2.70	2.60	43	2,000
20	2.0	2.0	2.19	3.54	3.41	70	1,450
24	2.5	2.5	2.74	3.27	3.10	107	1,500
32	3.5	3.5	3.83	3.92	3.72	195	1,500

units: inches

ORDERING INFORMATION

QUICK COUPLING PART NUMBERING SYSTEM:

TNV - 12 - 12 - C - M - NPT

