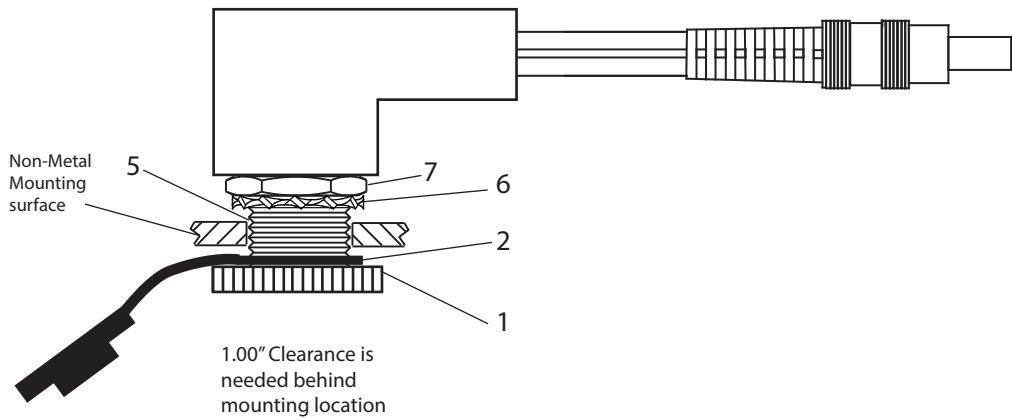
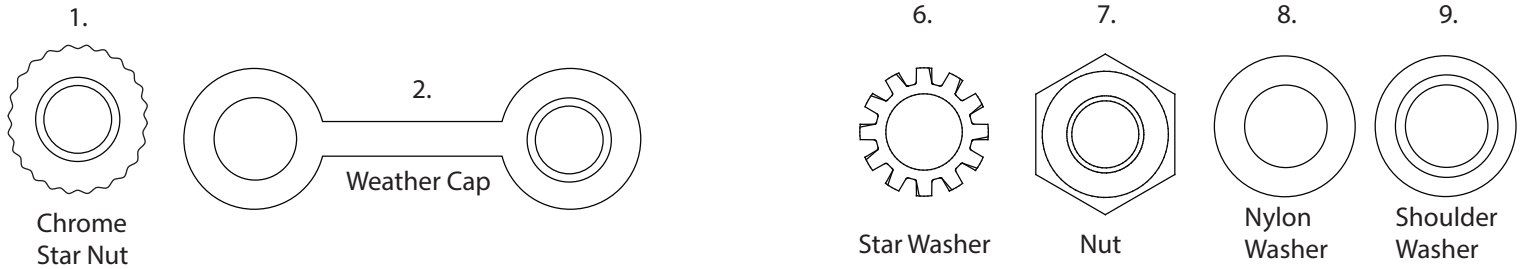


PANEL MOUNT INSTALLATION INSTRUCTIONS



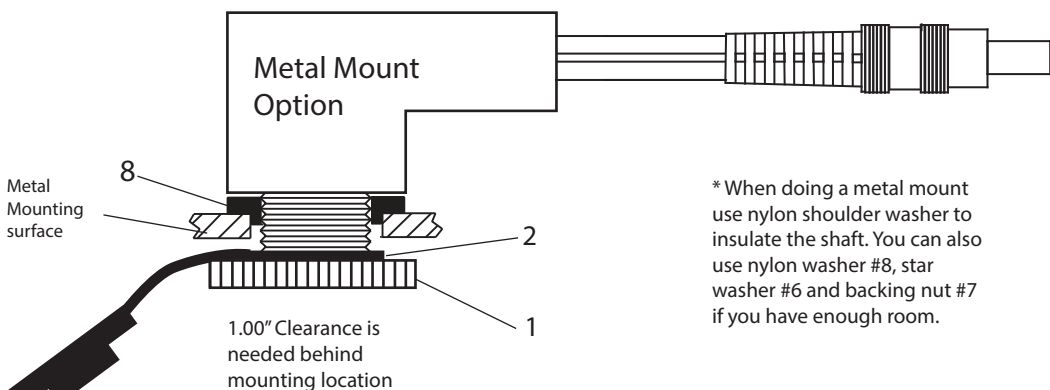
- A) Disconnect power prior to hooking up ring terminals to battery.
- IMPORTANT: Disconnect the Negative terminal first!**
- B) Find a mounting location, keeping in mind you will need to mount on the left side of vehicle to accommodate garments power plug location. If you need to complete a custom install, an extension may be required.
- C) Mark location.
- D) Hole size: 0.31 inch or 7.87mm use 5/16" bit
- E) Drill hole in mounting surface.
- F) Remove nut and washers supplied, leave star washer and backing nut on shaft.
- G) Push assembly shaft through mounting hole on backside.
- H) Place on rubber weather cap threaded shaft.
- I) Screw on chrome star nut until it is flush with shaft. Then reach behind mounting location and tighten nut.
- J) Attach the ring terminals to the battery.
- IMPORTANT: Attach the Positive terminal first!**
- K) Connect the battery harness to the accessory port.
- L) Re-assemble any other parts removed.

Panel Mount Assembly Parts List

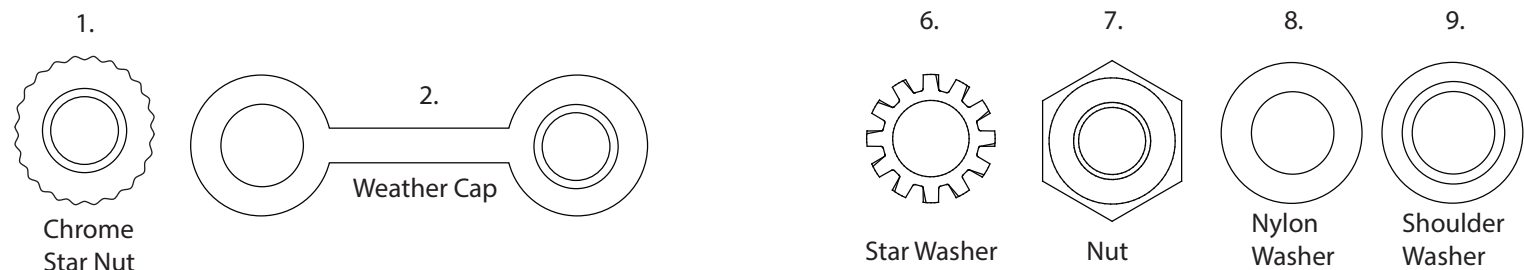


Panel Mount Assembly

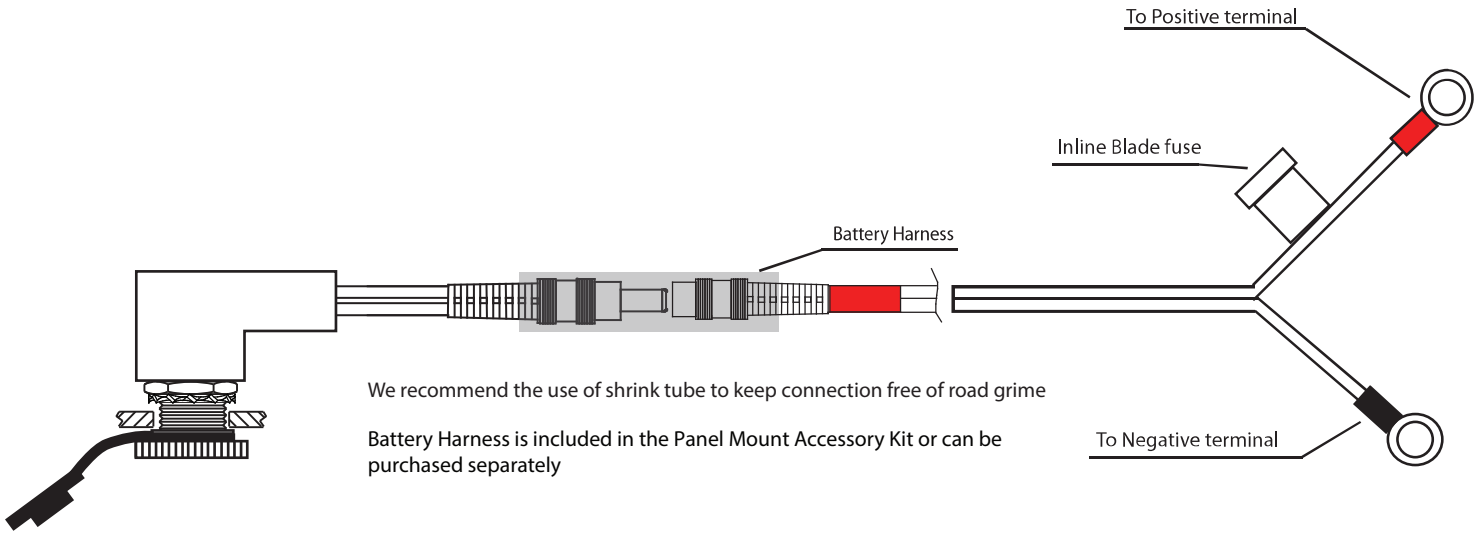
- A) Disconnect power prior to hooking up ring terminals to battery.
- IMPORTANT: Disconnect the Negative terminal first!**
- B) Find a mounting location, keeping in mind you will need to mount on the left side of vehicle to accommodate garments power plug location. If you need to complete a custom install, an extension may be required.
- C) Mark location.
- D) Hole size: 0.43 inch or 10.95mm. 7/16" bit
- E) Drill hole in mounting surface.
- F) Remove nut and washers supplied. Place nylon shoulder washer on shaft.
- G) Push assembly shaft through mounting hole on backside.
- H) Place nylon washer on threaded socket and then rubber weather cap.
- I) Screw on chrome star nut until it is flush with shaft.
- J) Attach the ring terminals to the battery.
- IMPORTANT: Attach the Positive terminal first!**
- K) Connect the battery harness to the accessory port.
- L) Re-assemble any other parts removed.



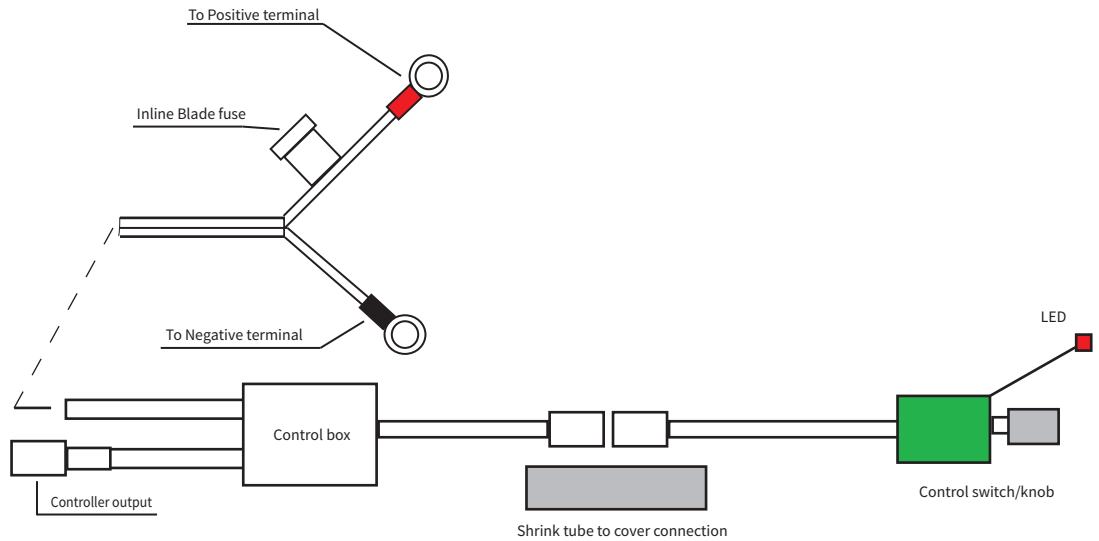
*When doing a metal mount use nylon shoulder washer to insulate the shaft. You can also use nylon washer #8, star washer #6 and backing nut #7 if you have enough room.



Connection Example (Direct to Battery)



Connection Example 2 (With Controller)



Keep in mind that whatever you power with this socket will be controlled by the Temp-Controller