

**Gem Pump Features:**

Reversible internal head fits Schrader or Presta. (Page 2)

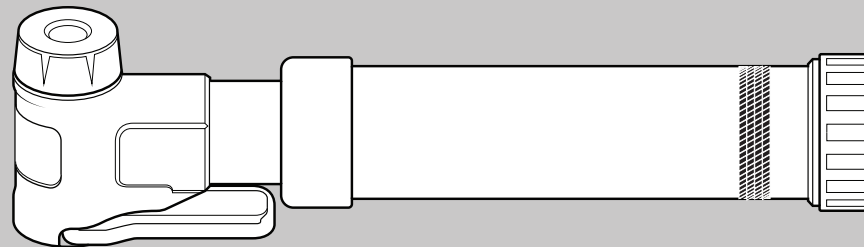
Dual piston pump with high pressure air switch. (Page 3)

130 psi / 9 bar Maximum Pressure

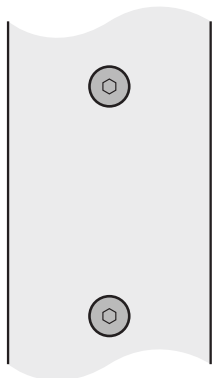
131g

# Gem Pump

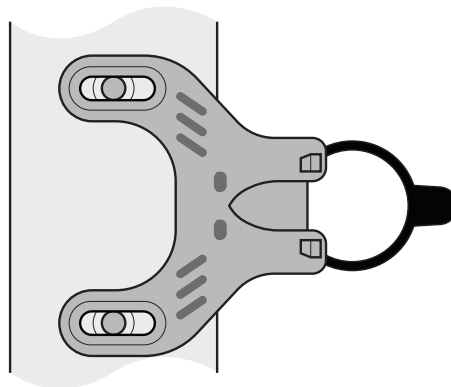
Owner's Manual  
Rev.A 11.18.16



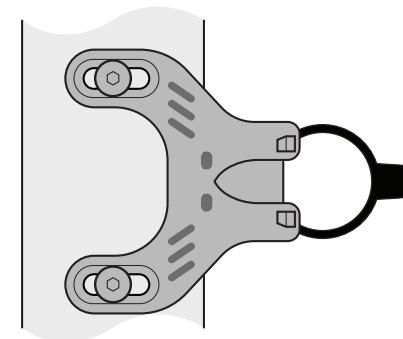
**Step 1:** The Gem Pump Clip mounts to your bicycle frame using existing water bottle cage bosses and hardware. Remove the water bottle cage bolts from your frame to install the pump clip.



**Step 2:** Place the clip onto the frame and secure using the existing hardware. If using a water bottle cage, the clip mounts underneath the cage. Longer hardware may be needed and can be acquired from your local dealer if necessary.

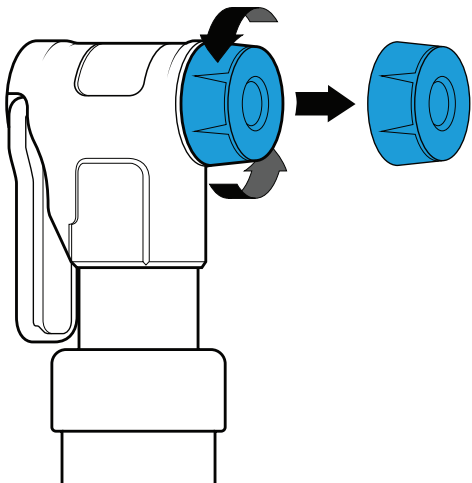


**Step 3:** Install the bottle cage bolts back into the frame and secure them to the specified torque provided by your frames manufacturer.

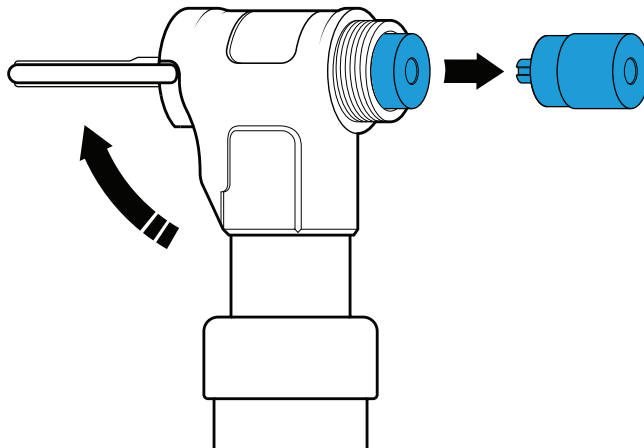


# Pump Head Reversal

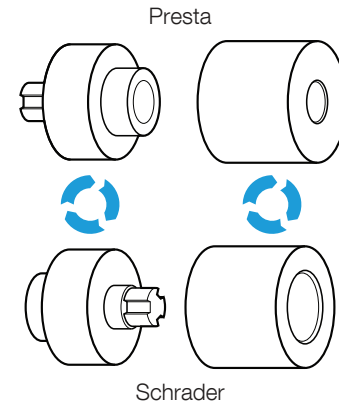
**Step 1:** Unthread the valve cap and set aside. Make sure the lever is in the down position for this step.



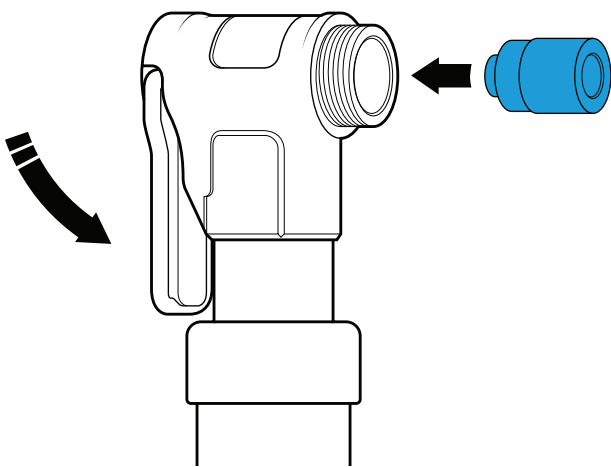
**Step 2:** Swing the lever outward to push the rubber gasket and plastic adapter out far enough to grab them. Remove the gasket and plastic adapter.



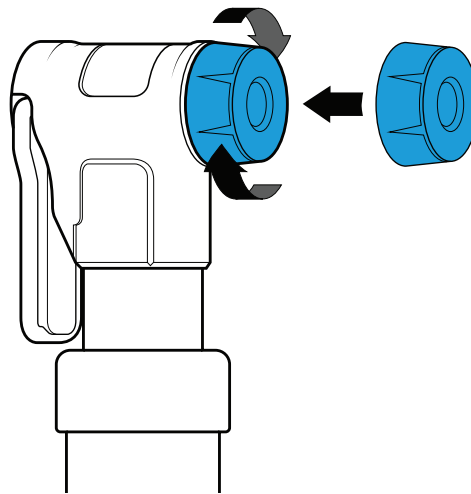
**Step 3:** Separate the gasket and plastic adapter then rotate each piece 180° and reassemble.



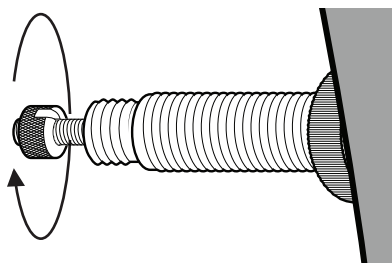
**Step 4:** Rotate the lever down into the unlocked position and insert the gasket and plastic adapter into the head of the pump with the gasket side facing out.



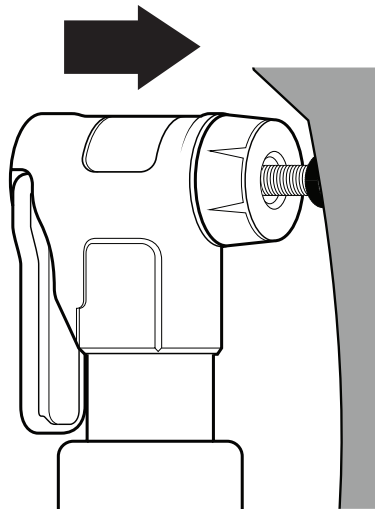
**Step 5:** Thread the valve cap back on and secure firmly by hand.



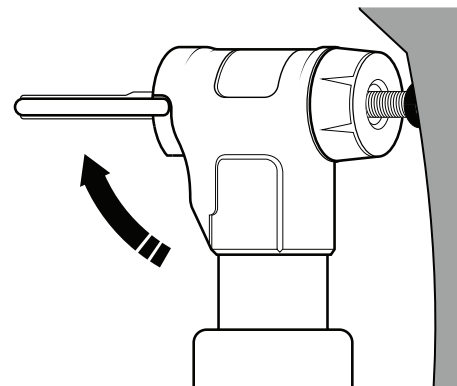
**Step 1:** If inflating a tube with a presta valve, remember to unscrew the valve locknut and tap to insure it is not stuck.



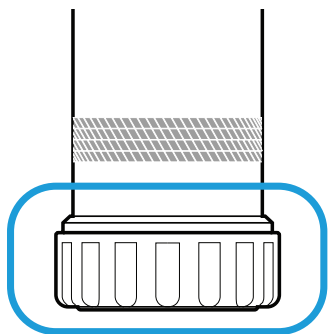
**Step 2:** Push the pump head onto your valve.



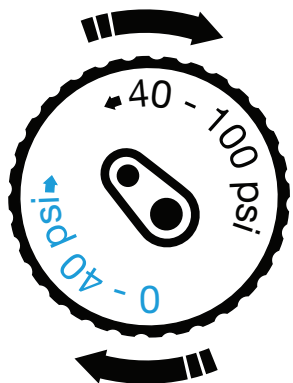
**Step 3:** Lift the lever arm from the pump head to lock into place.



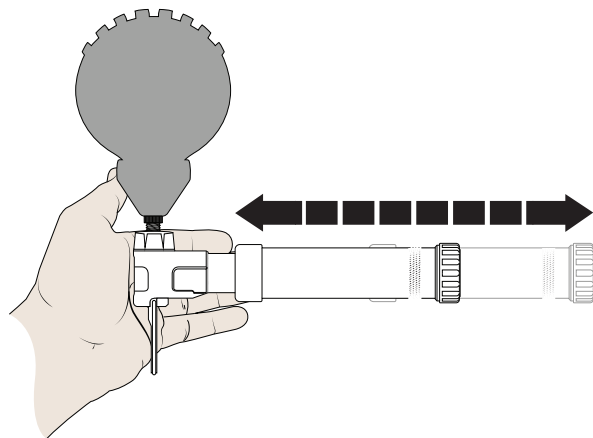
**Step 4:** Set the pump to its High Volume setting by rotating the air switch clockwise until it clicks into place.



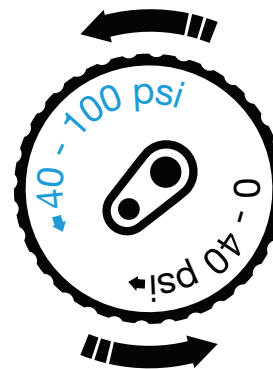
Air Switch



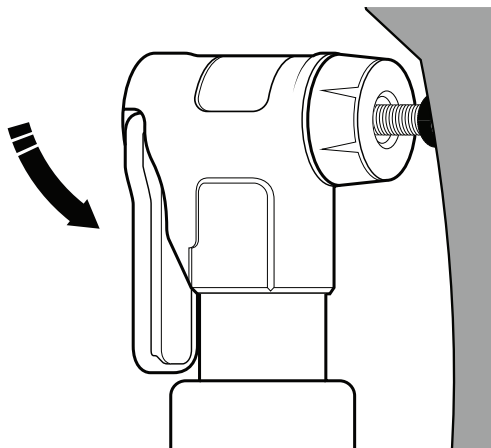
**Step 5:** Support the pump head by placing your palm on the backside of the head and grasp the spokes with your fingers to stabilize the pump.



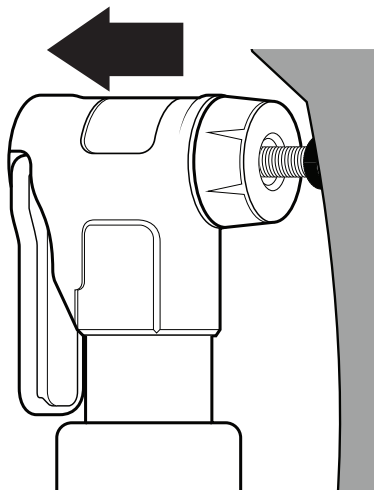
**Step 6:** If you start to feel resistance while pumping up your tire, set the pump to the High Pressure mode by turning the air switch counter clockwise till it clicks into place.



**Step 7:** Rotate the lever toward the pump to unlock the head for removal.



**Step 8:** Remove the pump from the valve.



**Step 9:** If inflating a presta valve, be sure to close the valve once you're finished inflating the tire.

