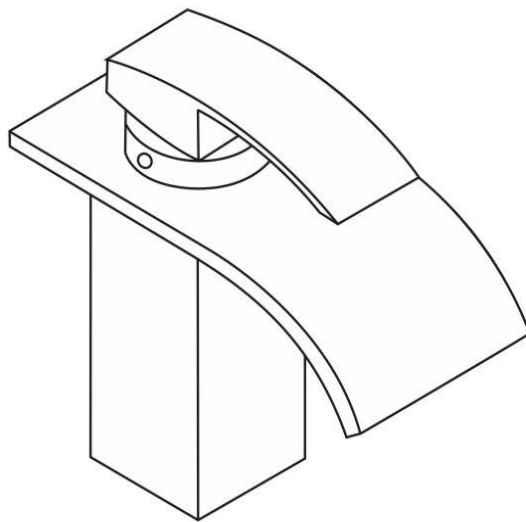


# **Basin Faucet Series**

## **Installation Guide**



**High-end Atmospheric Grade  
Quality Sanitary Ware**

## TROUBLESHOOTING

Symptom	Solution
Faucet leaks from the handle	<b>A.</b> Tighten the packing nut <b>B.</b> Replace the "O" ring
The water pressure is too low	<b>A.</b> Make sure the water supply valves under the sink are turned on all the way <b>B.</b> Clean or replace the aerator <b>C.</b> Check plumbing system for water pressure problems
The spout sprays water all over	<b>A.</b> Clean or replace the aerator <b>B.</b> Replace the aerator washer
Water is leaking from the faucet under the sink	<b>A.</b> Check the water supply connections to the faucet <b>B.</b> Inspect the water supply lines or hoses for leaks
Handle is loose	<b>A.</b> Remove the cap and tighten the screw <b>B.</b> Locate and tighten the hex set screw <b>C.</b> Remove the handle and check for stripped teeth on the stem.
LED does not illuminate	Insert new batteries or check the polarity of the batteries check and the plug connection.

## MAINTENANCE

- Clean the faucets and showers as and when required. Regular cleaning can prevent calcification.
- Never use cleaning materials contain hydrochloric, formic, phosphoric or acetic acid, which may cause considerable damage.
- Never use cleaning materials or appliances with an abrasive effect, such as unsuitable cleaning powders, sponge pads, or micro fiber cloths.
- After cleaning, rinse thoroughly the faucet with clean water to remove any cleaner residue.
- Unscrew and clean the aerator regularly.

## The taps can light in different colors

based on different temperatures:

LED turns Blue between 0-30 Celsius(32-86 Fahrenheit)

LED turns Green between 30-40 Celsius(86-104 Fahrenheit)

LED turns Red between 40-50 Celsius(104-122 Fahrenheit)

If your tap's LED light not working, please check the following reasons.

(1). Your water pressure is not enough to turn on the led light part, Our tap's LED light was powered by the waterflow. If the water doesn't come out the spout of the tap smoothly, the LED light may be not working.

(2). The pipes are not connected well. The LED light is changed by the water temperature. Please check if the hot water pipe is connected to the tap well, or whether the hot water pressure is enough.

For easy installation you will need to:  
 READ ALL the instructions completely before beginning.  
 READ ALL warnings and maintenance information.

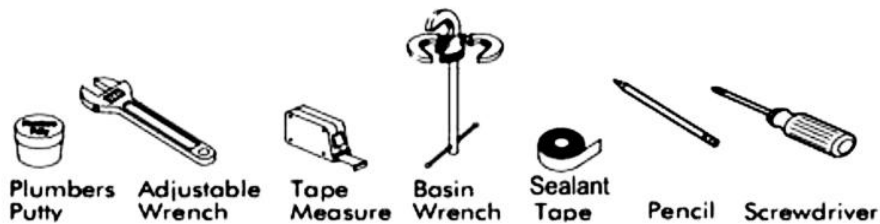
- (1) Please check the accessories first.
- (2) The instructions are only for reference, which may differ from your actual product.
- (3) But strongly advise to ask plumber to install this faucet.

## IMPORTANT INSTRUCTIONS

### [1] Operating Conditions

Recommended operating pressure 0.1~0.6Mpa

### [2] Tools you may need when installing the faucet.



### [3] Before installation

- Inspect the supply tubing for damage. Replace or clean it whether necessary.
- Before installation, please confirm if water inlet pipeline connect with angle valve well.
- Flush the water inlet pipeline to ensure there's no impurity in the pipeline.
- Shut off the main water supply.

## Prior to Installation

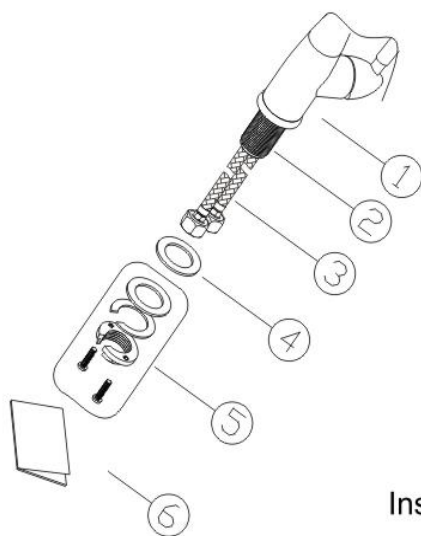
- (1). check to make sure you have all included parts.
- (2). Make sure that your basin matches up with the mixer's size.
- (3). Do not disassemble the main faucet body, as it has been installed & commissioned correctly & precisely before delivered from the factory.
- (4). The hot water connector is in the left, and cold water connector is in the right.
- (5). To keep the faucet from jamming, please flush the water pipe before installation.
- (6). Turn on the water supplies and check for leaks, after you finish the installation.
- (7). Using condition; Working pressure at 0.1-1.0MPa with applicable water temperature: 40°C-90°C
- (8). Don't band the hose so much the hose and ensure no deformation after installation.



# BASIN FAUCET

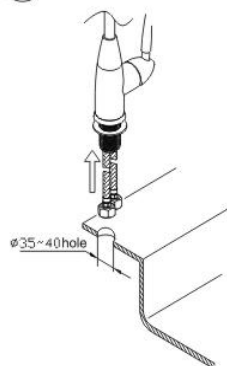
## INSTALLATION INSTRUCTION

### List of standard fittings

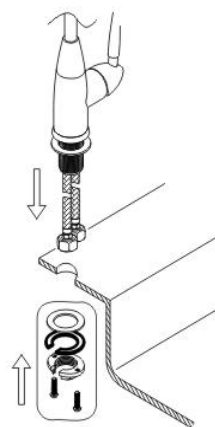


S/N	Description	No.s
1	body of faucet	1
2	base installation part	1
3	flexible hoses	2
4	gasket	1
5	fixing nuts	1
6	Instruction Manual	1

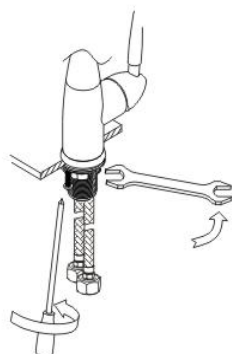
### Installation steps:



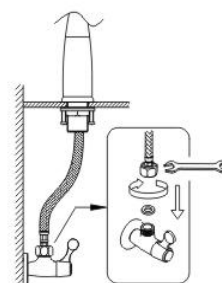
(1). Please make sure there is a hole with  $\varnothing 35\sim 40$  on the sink. Then dismantle the fixing nuts from the mixer, and put on the gasket to the base installation parts.



(2). Put the faucet's body with flexible hoses onto the sink through the hole, then assemble the mounting hardware in order at the bottom of faucet.

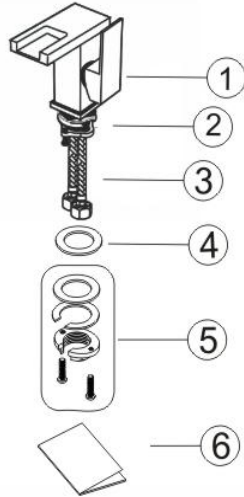


(3). Fasten the fixing nuts by spanner, and tighten the cross screws on the fixing nuts by cross screwdriver.



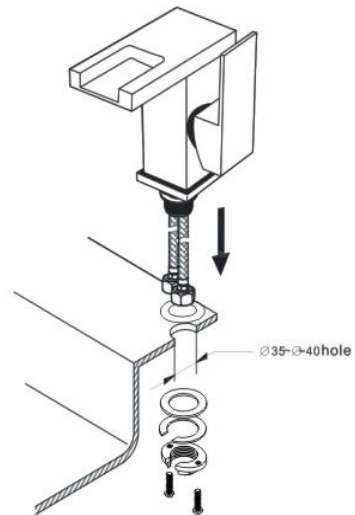
(4). Connect the two flexible hoses to the angle valves. Referring to the red and blue point signals on the handle, please connect them to hot water valve and cold water valve accordingly.

## Standard Fittings List

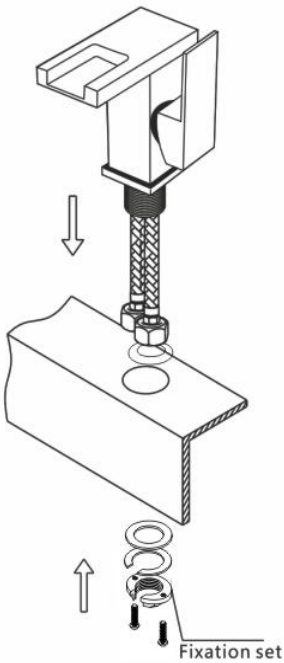


NO	Part Name	Quantity
1	Faucet Body	1
2	Gasket	1
3	Inlet Hose	2
4	Mounting Hardware (Rubber washer)metal Washer Mounting Nut Mounting SCREWS	4
5	Instruction Manual	1

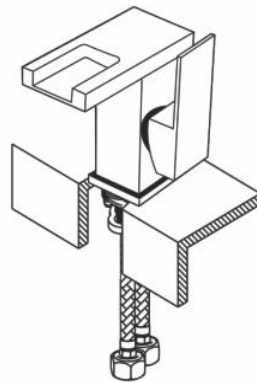
### Installation Step:



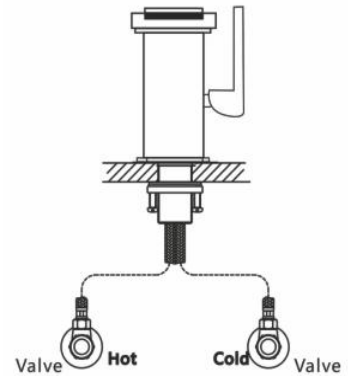
(1). Before installation, ensure there are one hole about  $\text{Ø}35\text{--}\text{Ø}40$ . Put the faucet's body with flexible hoses onto the sink through the hole, then assemble the mounting hardware in order at the bottom of faucet.



(2). Insert faucet body into the hole on the countertop. Attach rubber washer, metal washer, mounting nut, and mounting screws from underneath the sink.

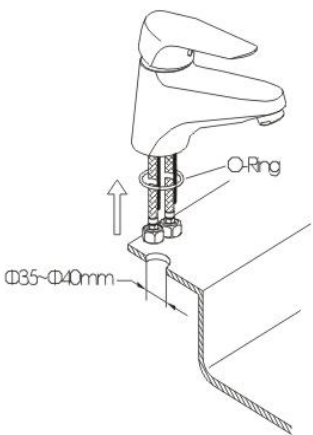
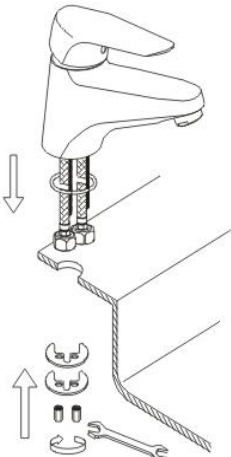
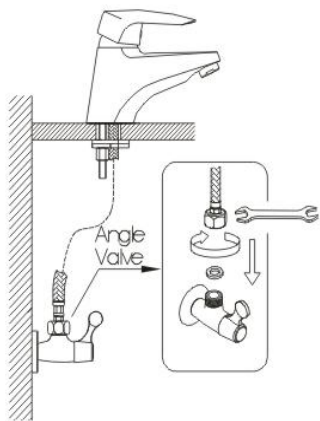


(3). The weight balance should 100mm high from group floor. Then connect the other side of the flexible hose with the outlet hose. Adjust direction of faucet body. Tighten mounting nut until snug. Tighten mounting screws to nut with a screwdriver until snug.



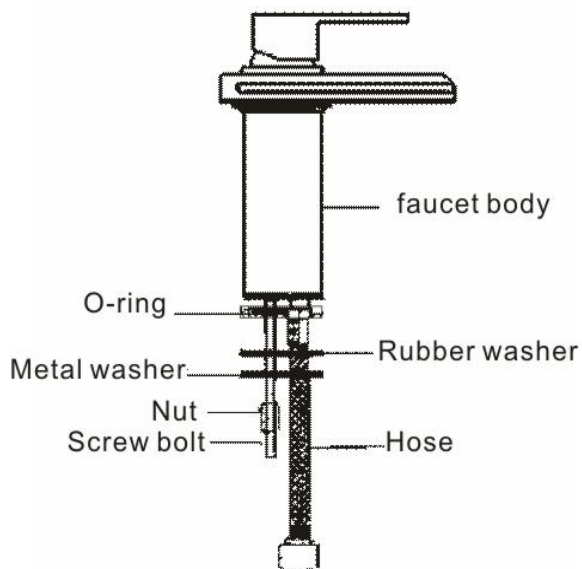
(4). Connect hot and cold inlet hoses to the angle valve. Tighten with a wrench until snug. Turn on hot and cold angle valve and check for leaks.

## Basin faucet installation:

		
<p>(1) Before installation, ensure there's one hole (Ø32-Ø40mm) in the basin. Put the O-ring washer under the bottom of the faucet body.</p>	<p>(2) Install the faucet body with inlet hoses and screw bolts into the basin hole, make the fixation parts connect with the screw bolts, screw down the nuts.</p>	<p>(3) Connect the two hoses with cold and hot water angle valve separately.</p>
<p>(4) Turn on the water supply, check all connect points if leakage. If leaking, tighten it.          (5) Now the faucet is ready for using.</p>		

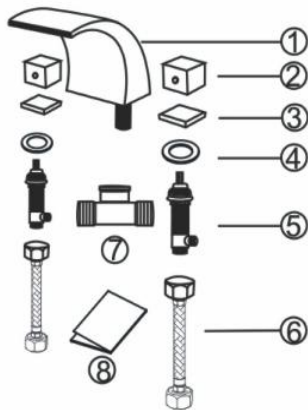


The installation steps are applied to one hole bathroom faucet with two screw bolt, for example:

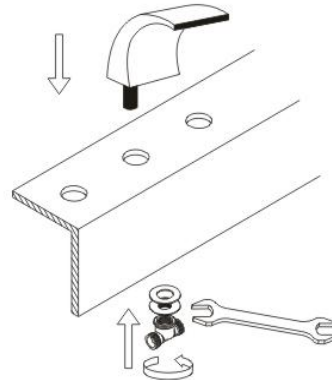


To the LED faucet with batter batteries box, the above installation steps is applied, Besides, it needs to fill four batteries to the batteries box and fix the batteries box to the wall with the two screws inside the parts bag.

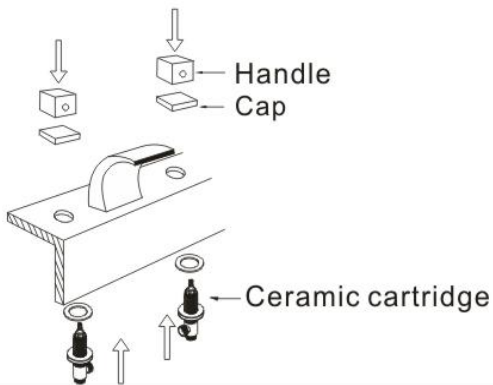
## Split type 3-hole basin faucet installation:



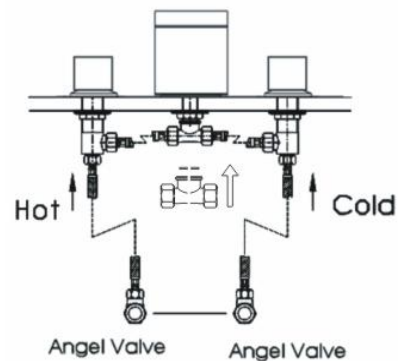
NO	Part Name	Quantity
1	Faucet Body	1
2	Handle	2
3	Cap	2
4	Gasket	2
5	Control water body	2
6	Inlet Hose (20cm)	2
7	Tee	1
8	Instruction Manual	1



(1) Before installation, ensure there are three holes in the basin or bathtub (the size refer to the above drawing). Remove the fixation parts, put the O-ring washer under the spout bottom, install the spout, put the washer and nut back to the fixing screw under the basin /bathtub, tighten the nut with wrench.



(2) Remove the handle cap. Put the ceramic cartridge through the basin /bathtub bottom; adjust the way and place, screw down the ceramic cartridge's nut under the basin/bathtub.



(3) Connect the triple tube to the spout, and then separately connect the two hose with the two control water body.

Separately connect another two inlet hoses to angle valve and control water body, left connect to the hot water, right connect to cold water.

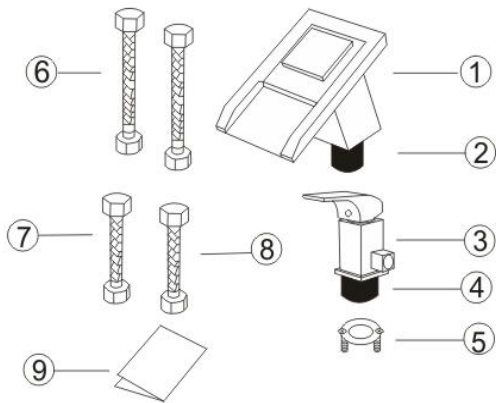
(4) Turn on the water supply, check all connect points if leakage. If leaking, tighten it.

(5) Now the faucet is ready for using.

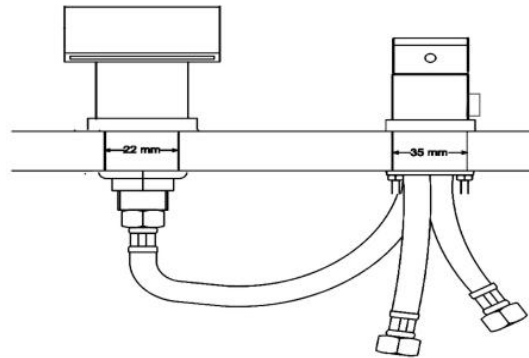


Do not remove the valve core as you install it, otherwise it may cause leakage.

### Basin faucet 2 piece-suit installation:



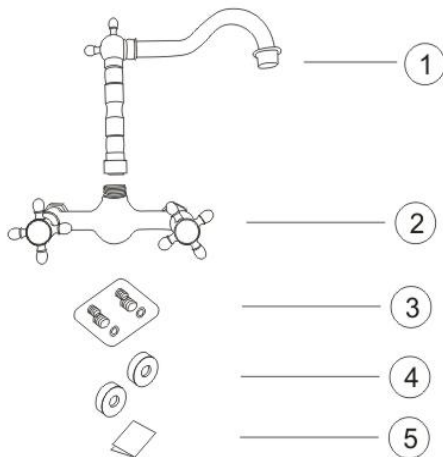
No	Part Name	Quantity
1	Faucet Body	1
2	Connector+Nut+Washer	1
3	Water-Diversion Body	1
4	Water-Diversion Nut+Screw	1
5	Water-Diversion Threaded Tube	1
6	Inlet Flexible Hoses	2
7	30cm single Nut Tube	1
8	30cm single Nut External Thread Tube	1
9	Instruction Manual	1



(1) Remove the handle, cover plate from the ceramic cartridge. Put the ceramic cartridge through the bathtub bottom; adjust the way and place, screw down the control water shower seat in the same way. ceramic cartridge's nut under the bathtub. And install the hose as the above drawings.

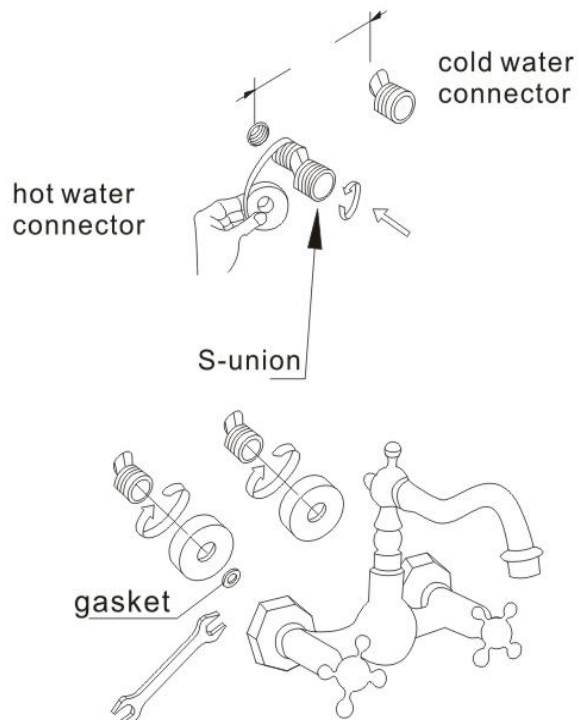
Separately connect the two inlet hoses to angle valve, left connect to the hot water, right connect to cold water.

VI



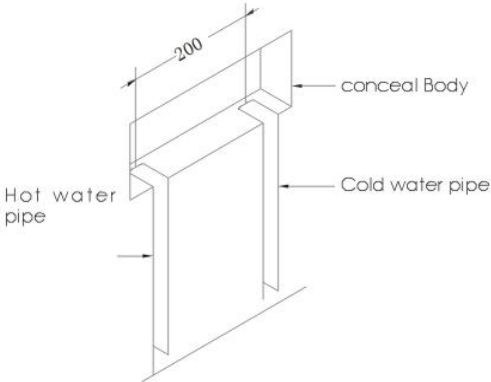
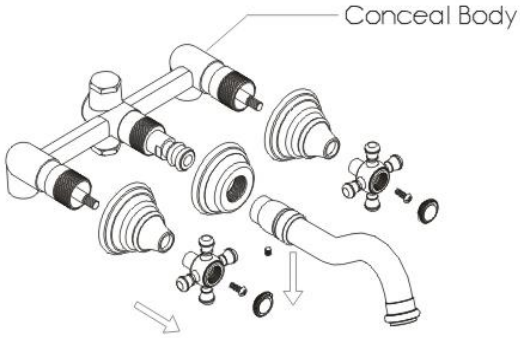
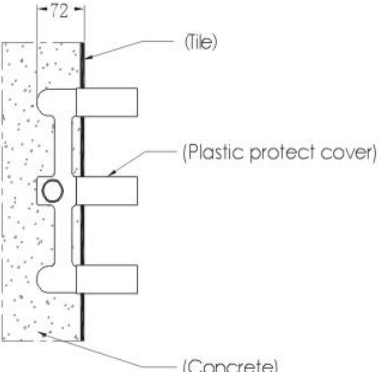
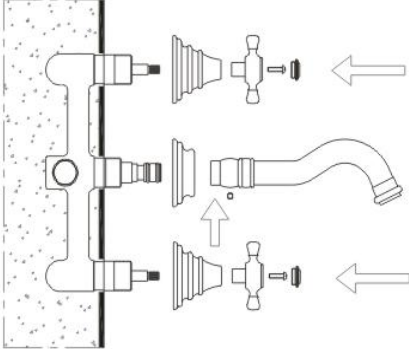
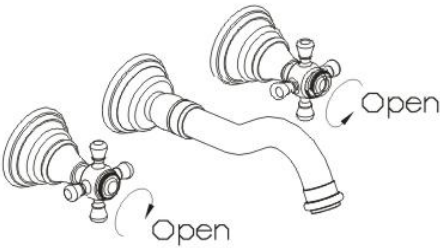
S/N	description	No.s
1	spout	1
2	body of mixer	1
3	S-union	2
4	decoration cover	2
5	Instruction Manual	1

### Installation steps:



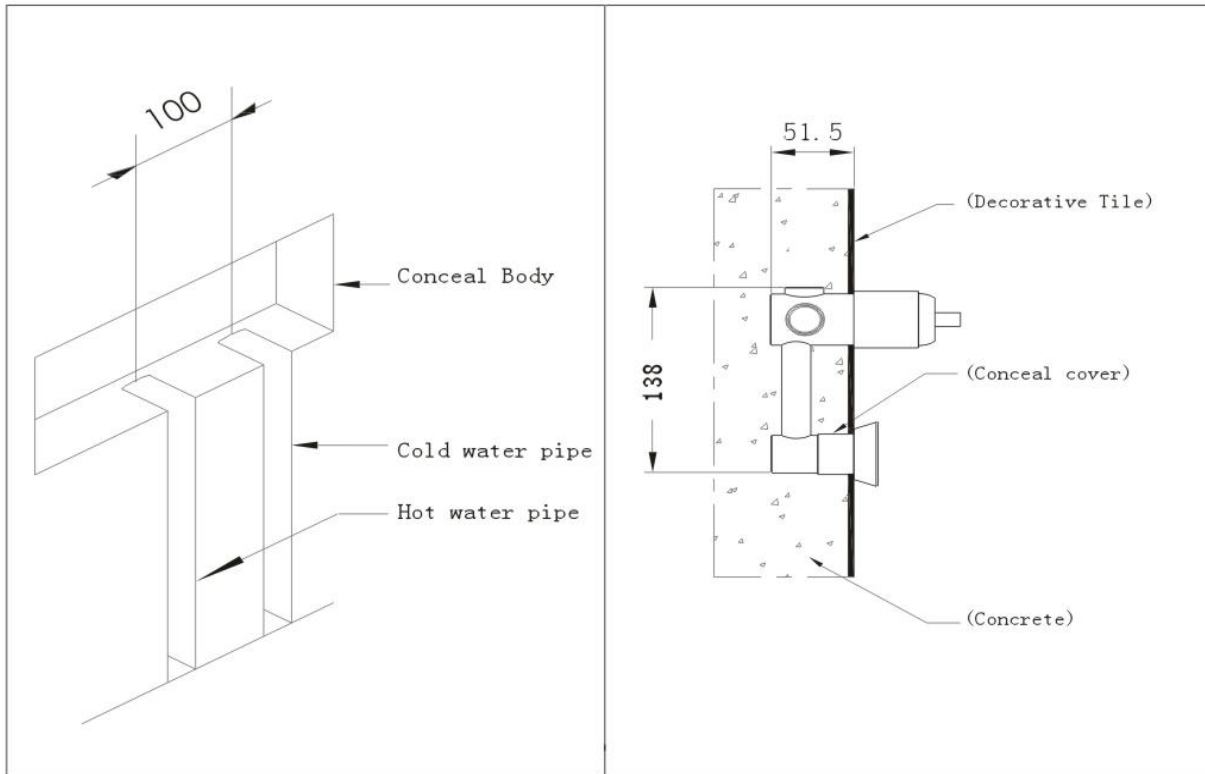


## Wall-mounted basin faucet installation:

	
<p>(1) Drill the wall as the above drawing, according to the dimension of the faucet. They are includes the main body concealed hole, cold water pipe hole, hot water pipe hole.</p>	<p>(2) Remove the spout, handle, cover etc from the concealed body.</p>
	
<p>(3) Using the concrete close over the pipeline after adjusting, then fix in the inner wall, connect it with cold water supply to confirm that there is leakage. After adjust use azimuth, use the concrete close over the pipeline.</p>	<p>(4) Install back the cover, handle, spout according to the removing steps, screw down the screws to fix all component.</p>
	<p>(5) Open water supply to check all connect points if leakage.</p>

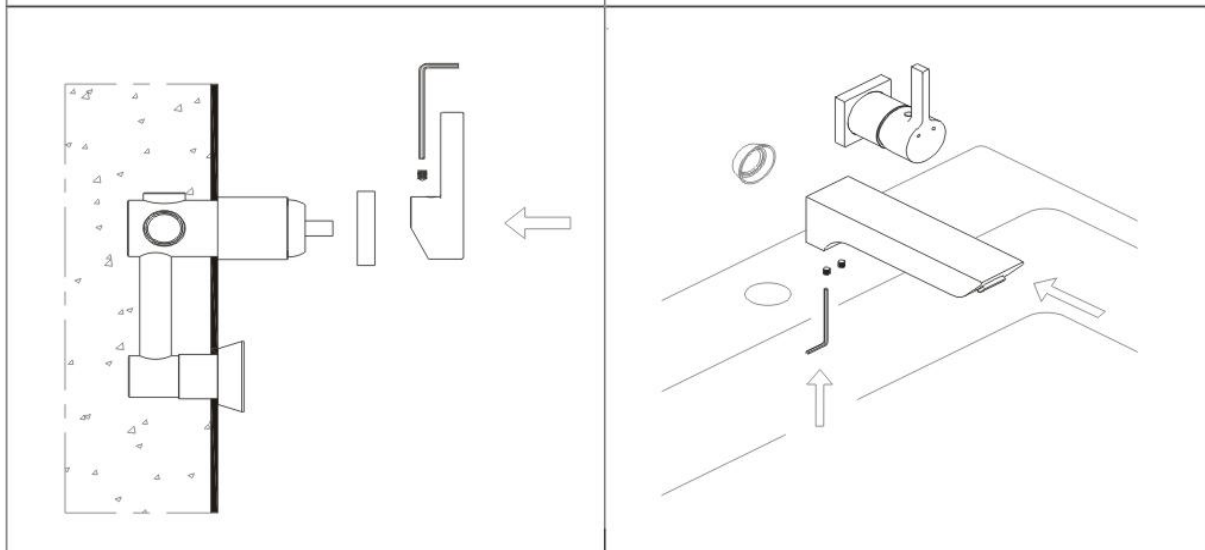


Do not remove the valve core as you install it, otherwise it may cause leakage.



(1) Drill the wall as the above drawing according, to the dimension of the faucet. They are includes the main body conceal hole, cold water pipe hole, and hot water pipe hole.

(2) Fix the faucet body in the inner wall. Connect it with cold water pipe and hot water pipe, and turn on water supply to confirm that there is no leakage. After adjusting use azimuth, use the concrete to cover the pipeline.



(3) Install the cover, and then install the handle to the faucet body.

(4) Push the spout in the spout hole, and use the hexagon screw to fix up. Test the spout, uprightness with the wall.