

THERMOSTATIC SHOWER Series INSTALLATION GUIDE

A



B



C



D

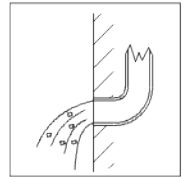


CONTENT

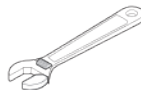
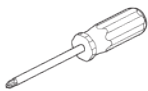
1.INSTALLATION CONDITION	1
2.3 Functions Thermostatic Shower Faucet Set (Model:A & B)	2
3.Thermostatic 4 Functions Luxury Shower Faucet (Model:C)	7
4.Thermostatic 4 Functions Luxury Shower Faucet (Model:D)	18
5.Body Jets & Hand Shower Holder Installation	24
6.Care And Maintenance	25

◆ **INSTALLATION CONDITION**

1. Check the Accessories List to verify that all parts are complete in this package.
2. Do not disassemble the main body by yourself.
3. Connect inlet pipes to supply valves.
4. Make sure inlet pipes and supply valves have been installed and cleaned, with no impurities in the pipeline.
5. After installation, check all joints for leakages.
6. Do not leave the rain shower system exposed to a severely corrosive environment.



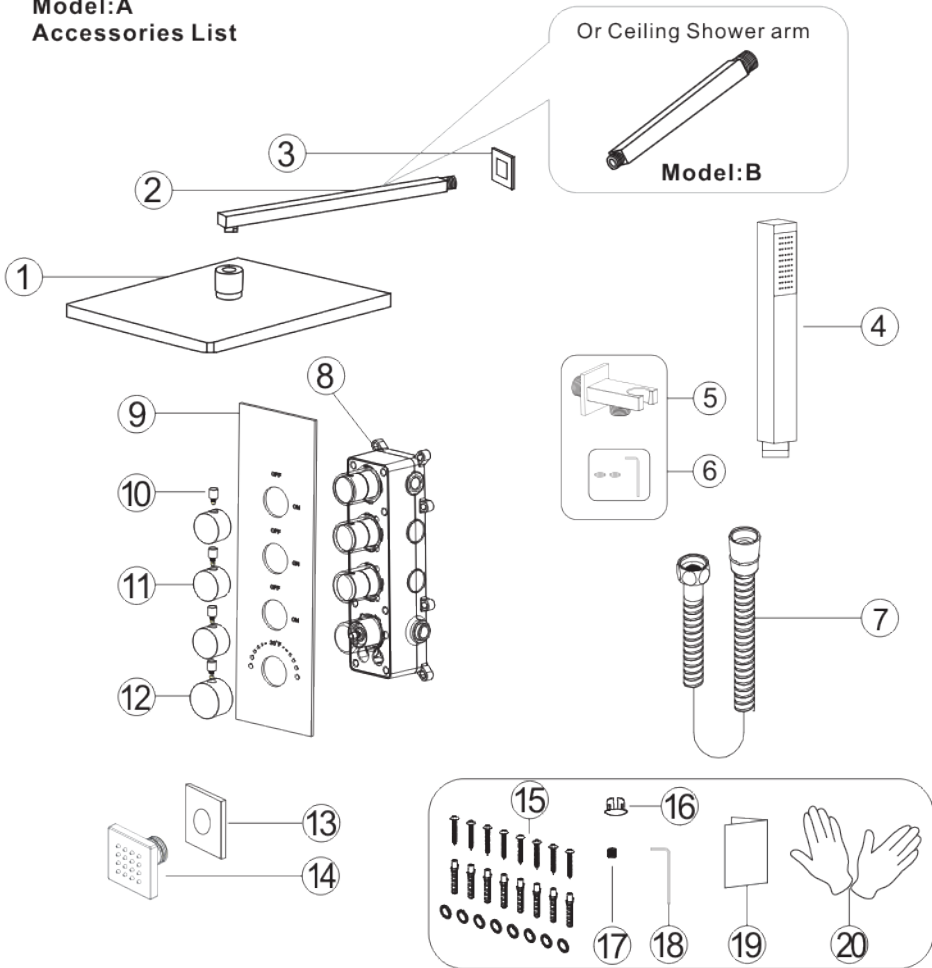
YOU MAY NEED:



◆ 3 Functions Thermostatic Shower Faucet Set

Model:A

Accessories List



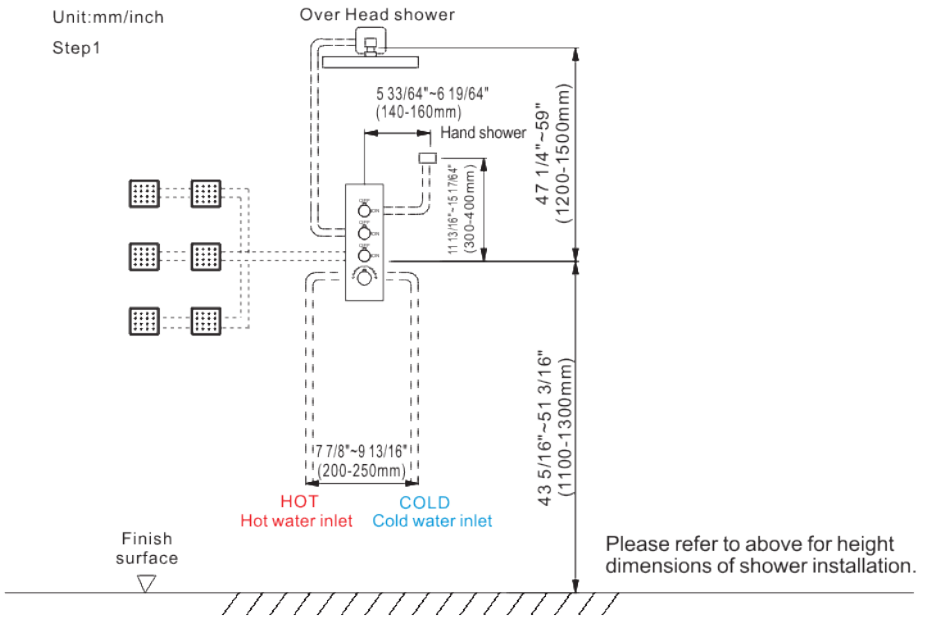
No.	Part name	Qty	No.	Part name	Qty
1	Shower head	1	11	Water diverter	3
2	Shower arm	1	12	Handle	1
3	Shower arm cover	1	13	Body jet cover	6
4	Hand shower	1	14	Body jet	6
5	Hand shower holder	1	15	Valve gasket spare parts	8
6	Holder parts	1	16	Handle cap	1
7	Shower hose	1	17	Screw	1
8	Main body	1	18	Wrench	1
9	Panel	1	19	Instruction manual	1
10	Water diverter rod	3	20	Gloves	2

WARNING: Choking hazard. Please keep all small parts and plastic bags out of the reach of children.

◆ INSTALLATION SHOWER SET SIZE & WATER PIPE LINE REFERENCE

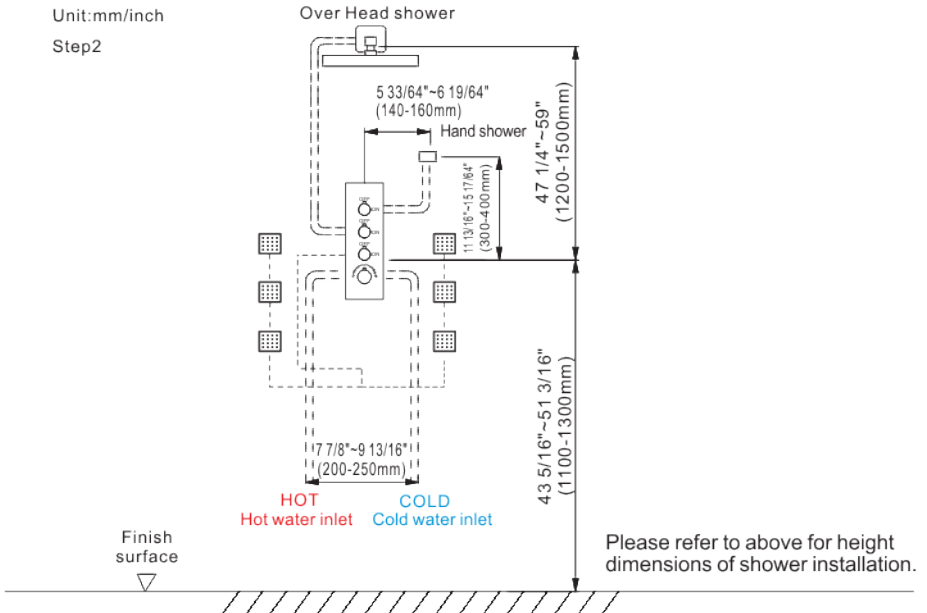
Unit: mm/inch

Step1

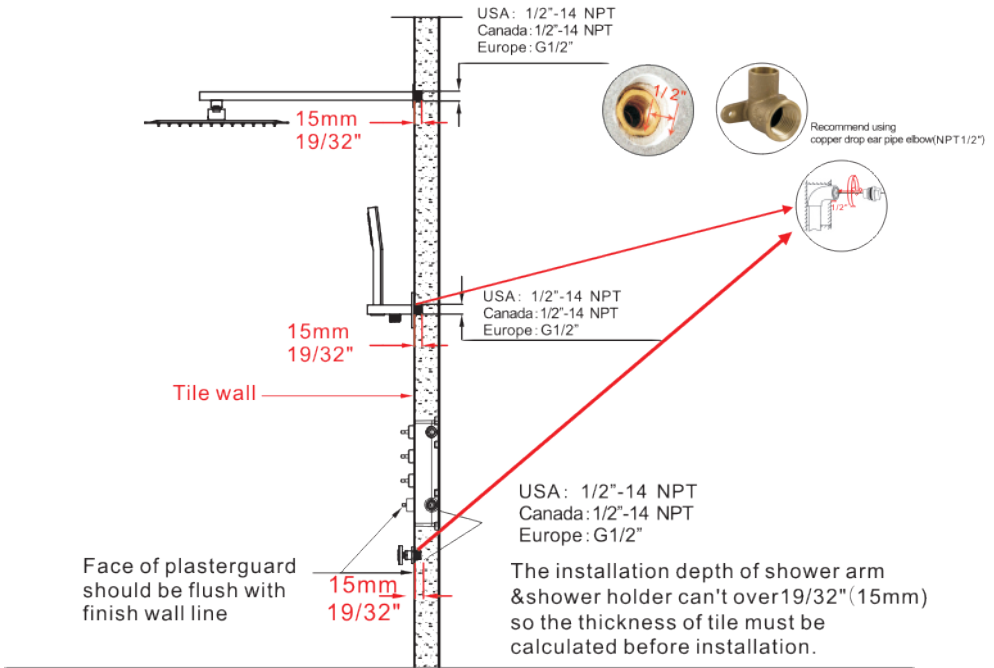


Unit: mm/inch

Step2

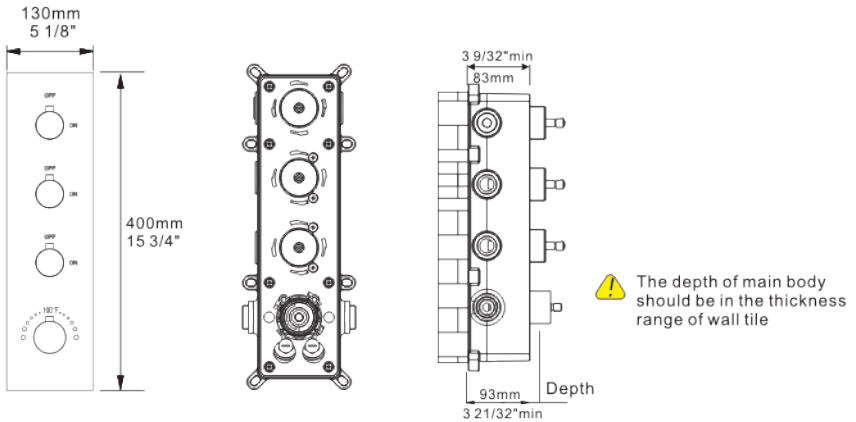


◆ **INSTALLATION DEPTH OF SHOWER ARM & SHOWER HOLDER & BODY JET**



◆ **Installation Depth of Main Body**

Unit:mm/inch



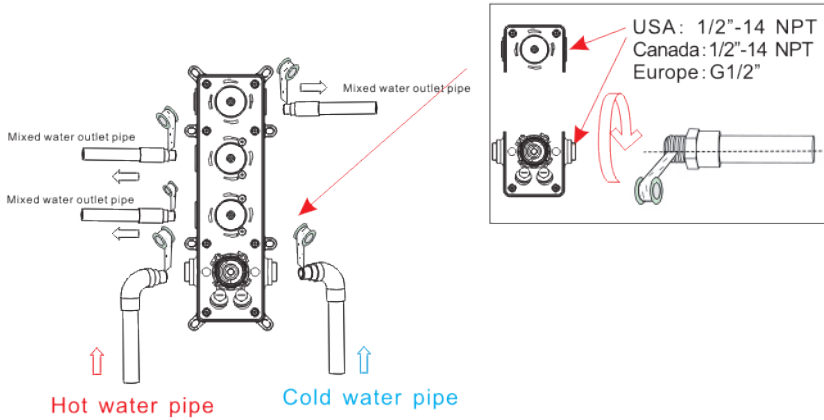
- Notice:** 1. The installation depth of main body should be no less than 3 9/32" (83mm) and no more than 3 21/32" (93mm), including the thickness of tile. Other wise, the panel cannot be installed.
2. The opening size of ceramic tile shall be smaller than the panel size

◆ Piping Instructions Before Tiling



Warning: must install hot water and cold water inlet strictly as instructions.

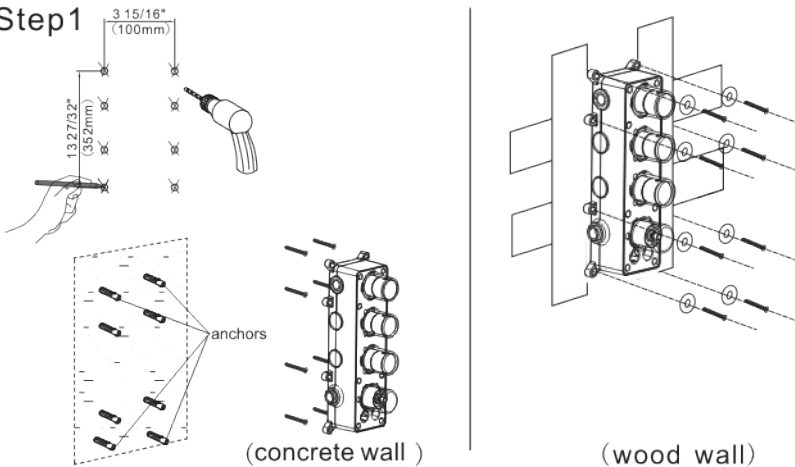
Wrap enough teflon tape



1. As shown in the figure, the inlet and outlet pipes are pre-buried. Please pay attention to the correct direction of installing the pre-buried main body.
2. Install the hot and cold water inlet pipes and three mixed water outlet pipes connected to shower head, hand shower holder and body jet pipes separately.
3. Before tiling, turn on the water to test whether the left and right inlet pipes are tightly connected without leakage. Then, adjust the flow switch to be on to check the mixed outlet pipes for leakages.

◆ Main Body Valve Installation

Step 1

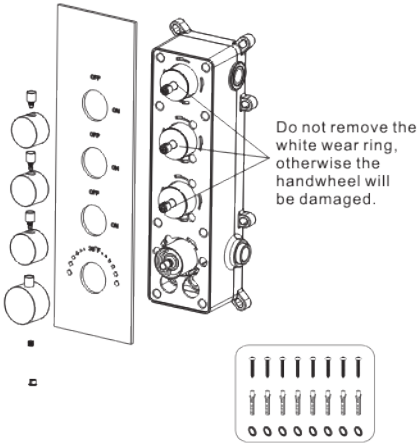


1. Make marks according to the size of the main body valve and then drill anchors into the wall (concrete wall)
2. Lock main body to wood directly with screws (wood wall)

▲ Please note that the level meter should be parallel with the wall, otherwise the panel cannot be installed.

◆ Main Body valve installation

Step2

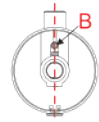
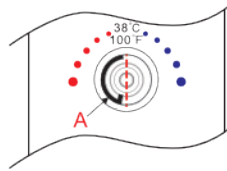


Precautions for handwheel installation

※1: The line can't misplace, it should be kept in a line, otherwise the water temperature of 100°F or 38°C will not be correct.

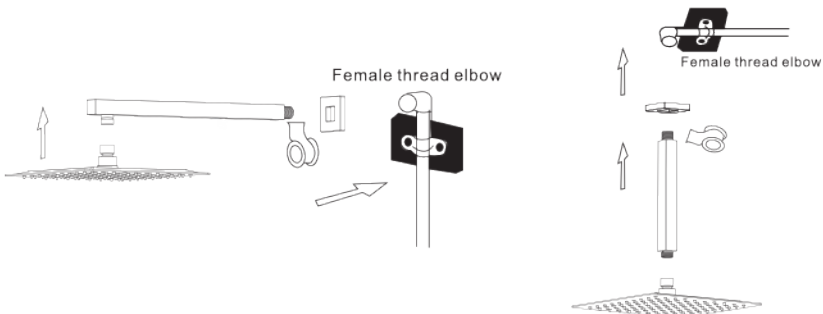


※2: Please ensure that A Plastic locating ring and B handwheel locating pin kept in the same line with 100°F or 38°C. Otherwise, the water temperature will be wrong.



1. Please install panel, water diverters and water diverter rods step by step and Remove the transparent protective cover.
2. Install the handle with the screw and handle cap.

◆ Installation Of Rain Shower Head & Shower Arm

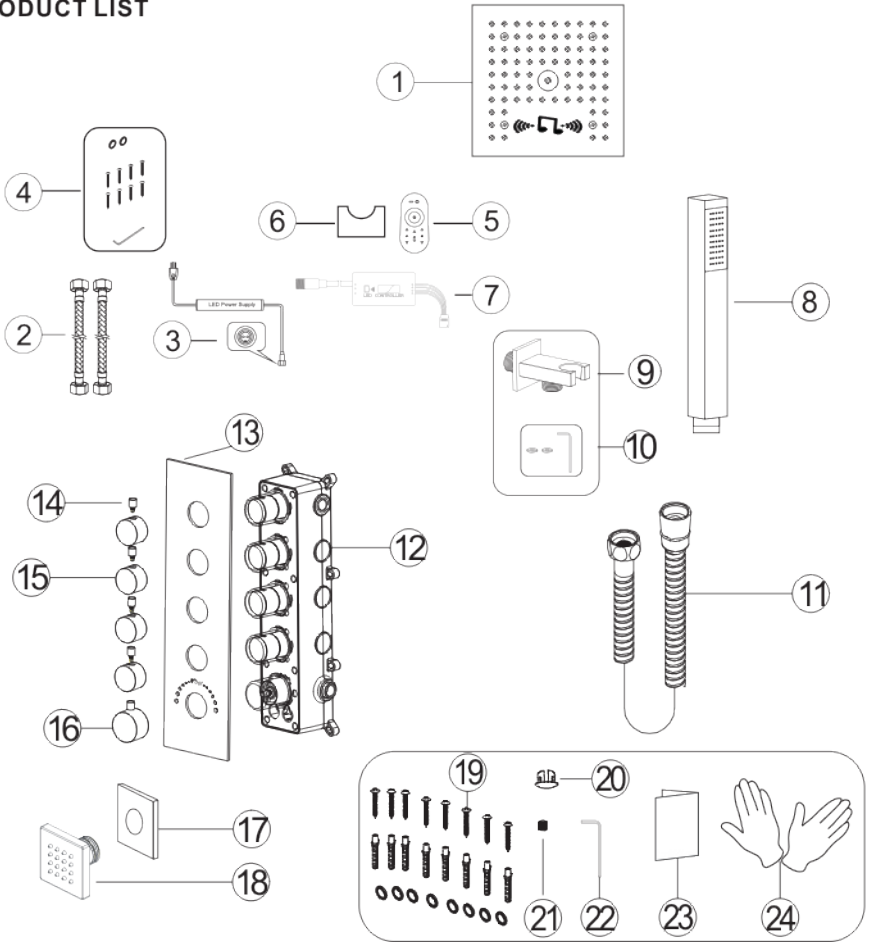


1. Connect shower arm with the cover before screwing arm into riser connection to prevent damage.
2. Fix shower head onto shower arm and apply tape to pipe threads on both ends.
3. Do not overtighten shower head. It is 360° swivel connection.

◆ Thermostatic 4 functions luxury black shower faucet

Model:C

PRODUCT LIST

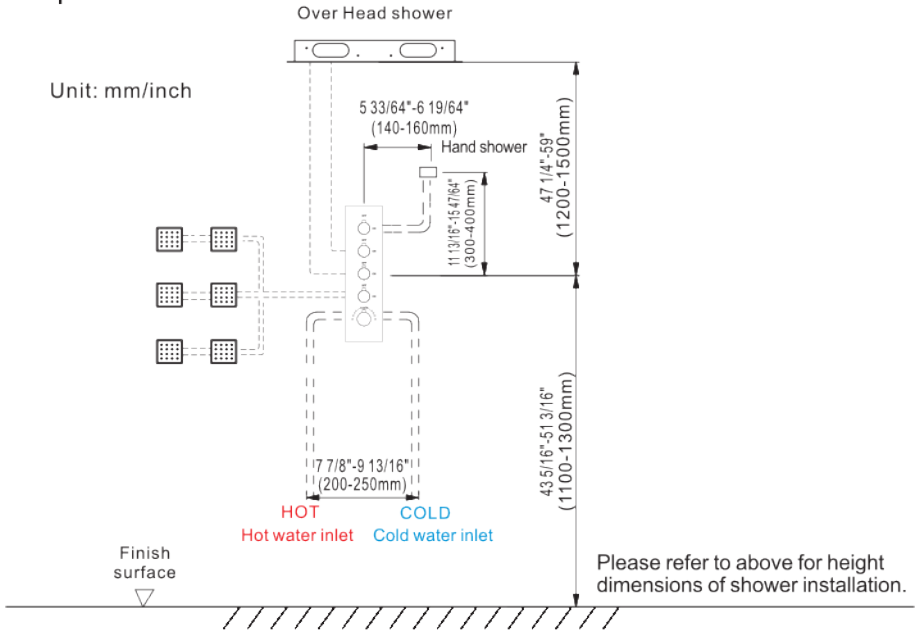


No.	Part name	Qty	No.	Part name	Qty	No.	Part name	Qty
1	Shower head body	1	11	Shower hose	1	21	Hand Screw	1
2	Corrugated pipe	2	12	Main body	1	22	Wrench	1
3	Water proof power supply	1	13	Panel	1	23	Instruction manual	1
4	Shower head parts	1set	14	Water diverter rod	4	24	Gloves	2
5	LED controller	1	15	Water diverter	4			
6	Controller pedestal	1	16	Handle	1			
7	Wifi controller	1	17	Body jet cover	6			
8	Shower hand	1	18	Body jet	6			
9	Hand show holer	1	19	Valve gasket spare parts	8			
10	Holder parts	1	20	Handle cap	1			

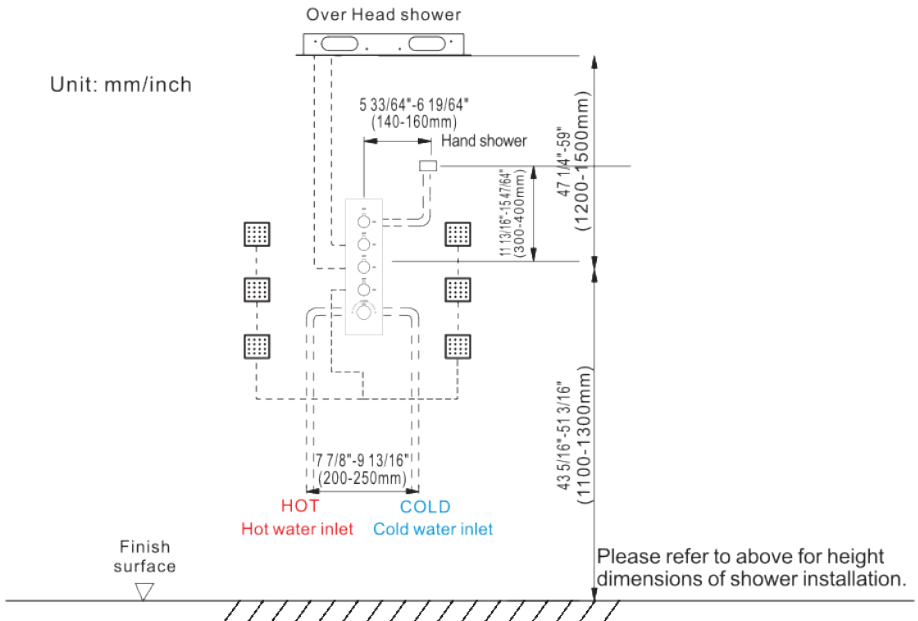
WARNING: Choking hazard. Please keep all small parts and plastic bags out of the reach of children.

◆ INSTALLATION SHOWER SET SIZE & WATER PIPE LINE REFERENCE

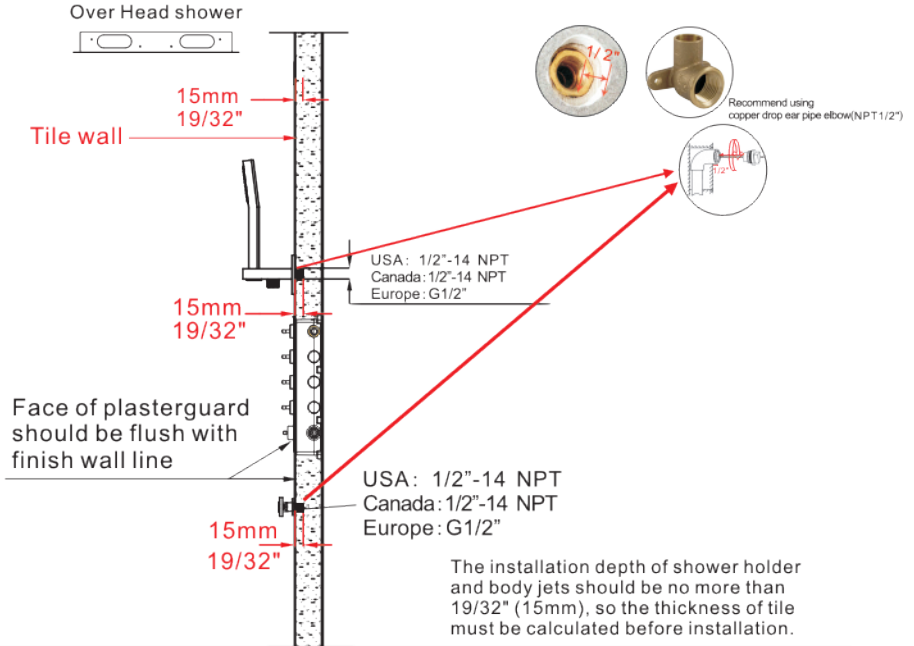
Step 1



Step 2

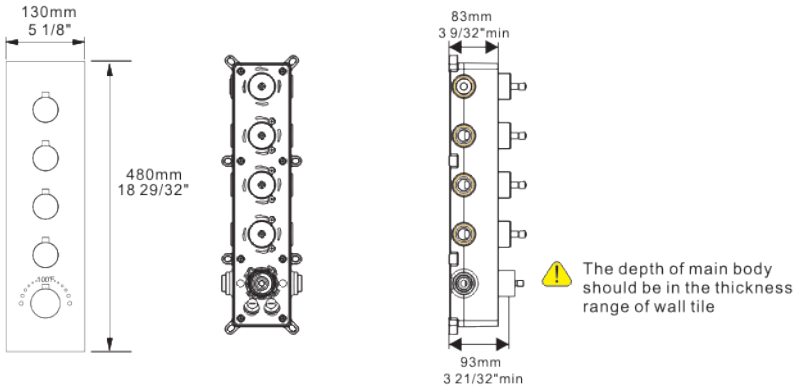


◆ Installation Depth of Shower Holder & Body Jets



◆ Installation Depth of Main Body

Unit:mm/inch



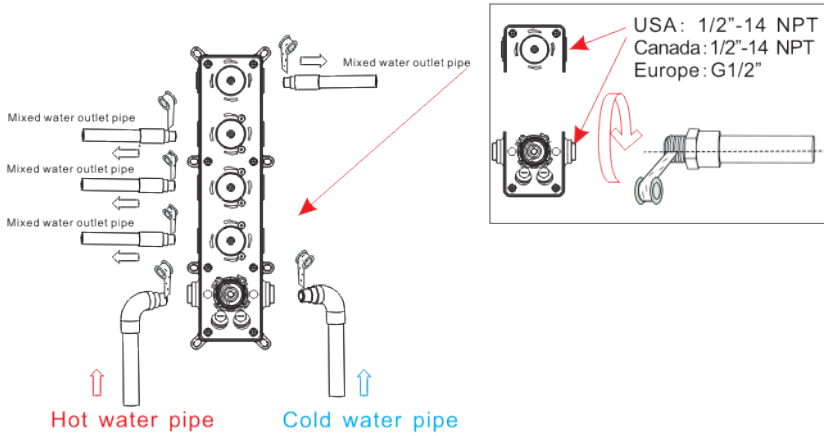
- Notice:** 1. The installation depth of main body should be no less than 3 9/32"(83mm) and no more than 3 21/32"(93mm), including the thickness of tile. Other wise,the panel cannot be installed.
2. The opening size of ceramic tile shall be smaller than the panel size

◆ Piping Instructions Before Tiling



Warning: must install hot water and cold water inlet strictly as instructions.

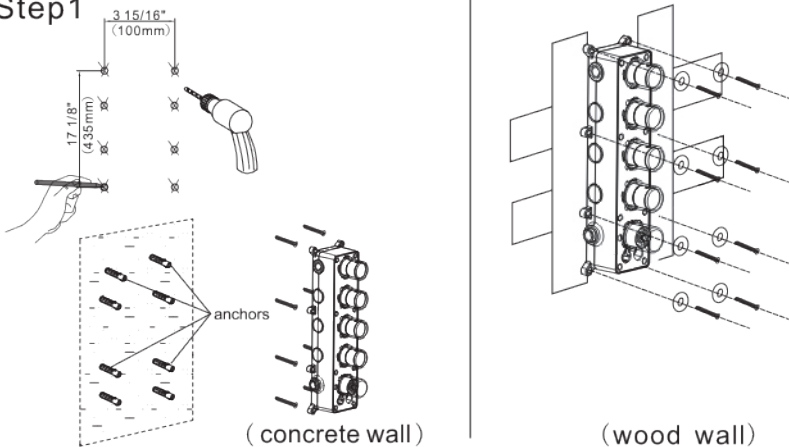
Wrap enough teflon tape



1. As shown in the figure, the inlet and outlet pipes are pre-buried. Please pay attention to the correct direction of installing the pre-buried main body, and make sure that the mark level on the top of the installation box is facing upward.
2. Install the hot and cold water inlet pipes and three mixed water outlet pipes connected to shower head, hand shower holder and body jet pipes separately.
3. Before tiling, turn on the water to test whether the left and right inlet pipes are tightly connected without leakage. Then, adjust the flow switch to be on to check the mixed outlet pipes for leakages.

◆ Main Body Valve Installation

Step 1

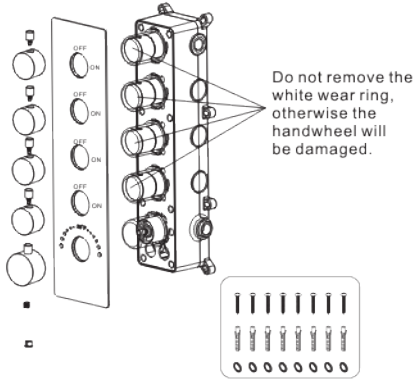


1. Make marks according to the size of the main body valve and then drill anchors into the wall (concrete wall)
2. Lock main body to wall directly with screws (wood wall)

▲ Please note that the level meter should be parallel with the wall, otherwise the panel cannot be installed.

◆ Main Body valve installation

Step2

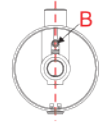
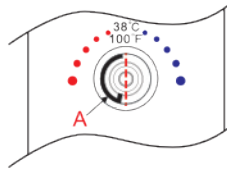


Precautions for handwheel installation

※1: The line can't misplace, it should be kept in a line, otherwise the water temperature of 100°F or 38°C will not be correct.



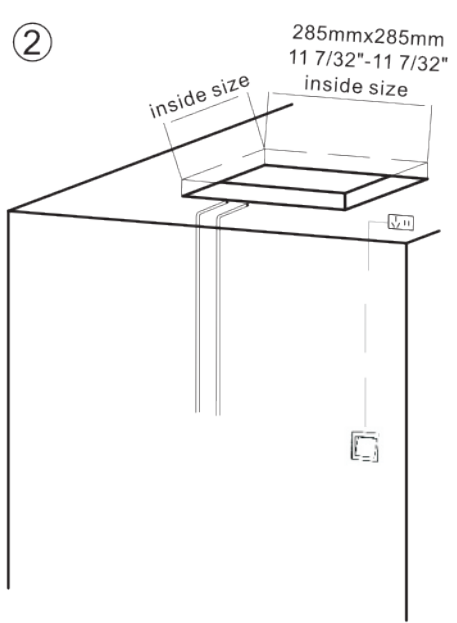
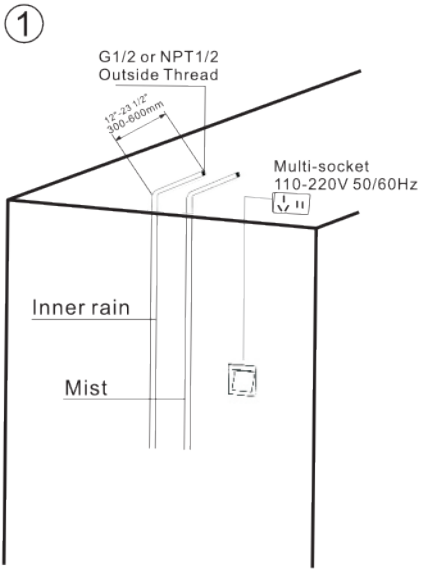
※2: Please ensure that A Plastic locating ring and B handwheel locating pin kept in the same line with 100°F or 38°C. Otherwise, the water temperature will be wrong.



1. Please install panel, water diverters and water diverter rods step by step and Remove the transparent protective cover.
2. Install the handle with the screw and handle cap.

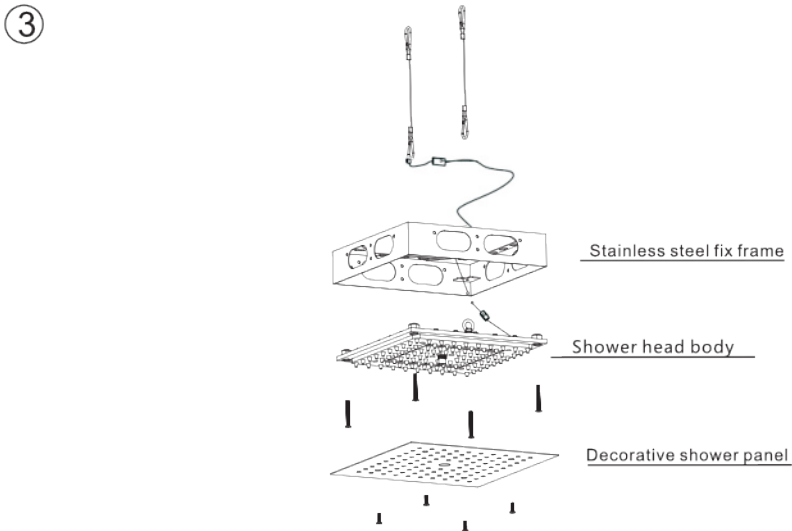
◆ Plumbing Layout of Shower Head

◆ Holes on Ceiling



Install the power switch in the appropriate position, lay out water pipeline and connect it to the main body.

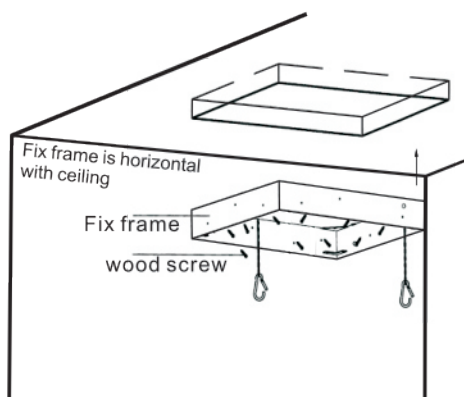
◆ Shower Head Exploded View



According to the mark (Remove Install) on the top of shower head panel, respectively unscrew the decorative shower panel, shower head body and fix frame.

◆ Fix Frame Installation

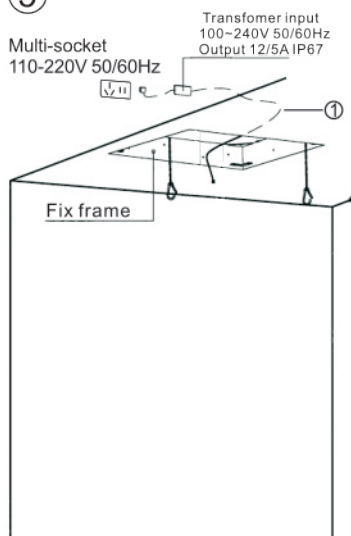
④



Fasten the fix frame to the wooden frame with 8 screws.

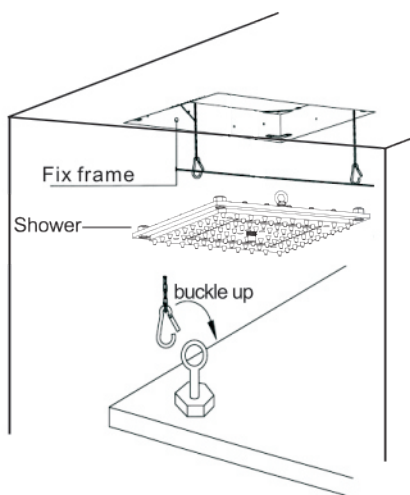
◆ Layout for Power

⑤



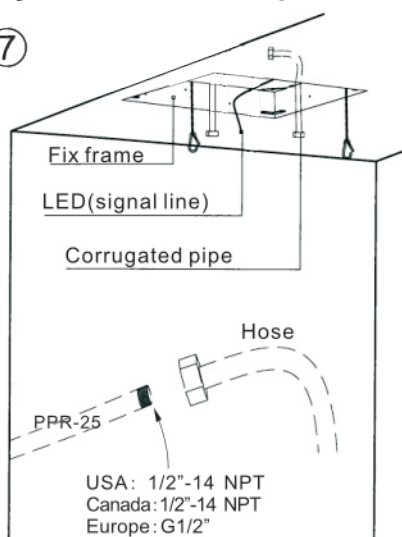
◆ Shower Head Body Installation

⑥



◆ Layout for Water Pipe

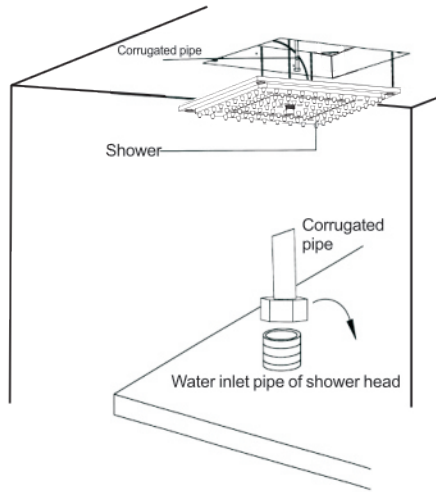
⑦



Connect one end of the corrugated pipe to the embedded PPR water pipe and the other end to the water inlet pipe on the back of shower head.

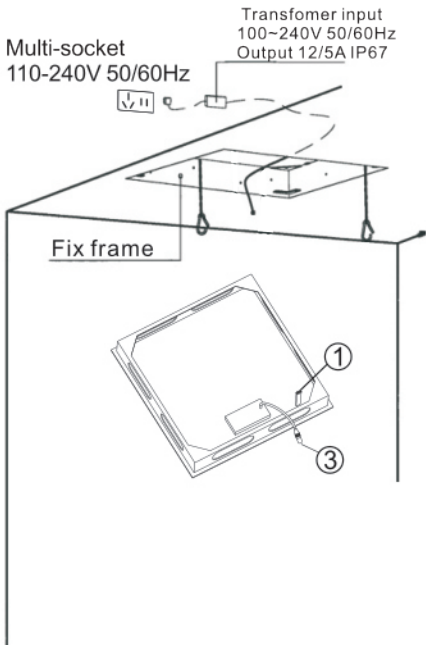
◆ Water Inlet Pipe Connection

⑧

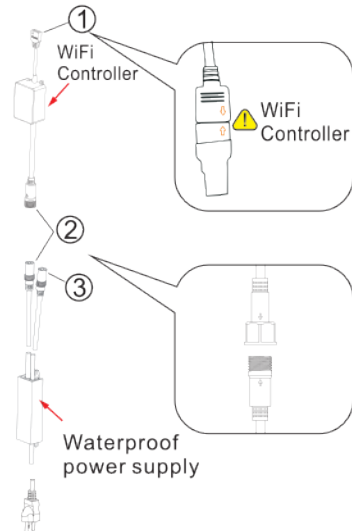


◆ LED (Single Line) Connection

⑨

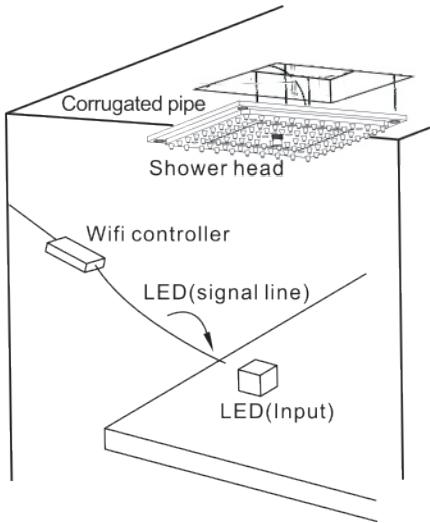


- ① to ① wifi controuer wrap it with adhesive tape to prevent it from falling off.
- ② to ② connect the Power supply and WiFi.
- ③ to ③ connect the Power supply and sound.



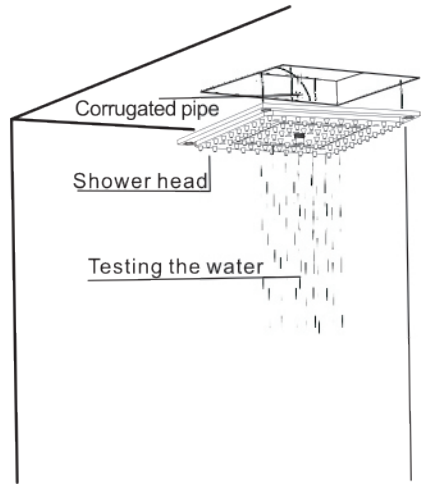
◆ LED (Single Line) Connection

10



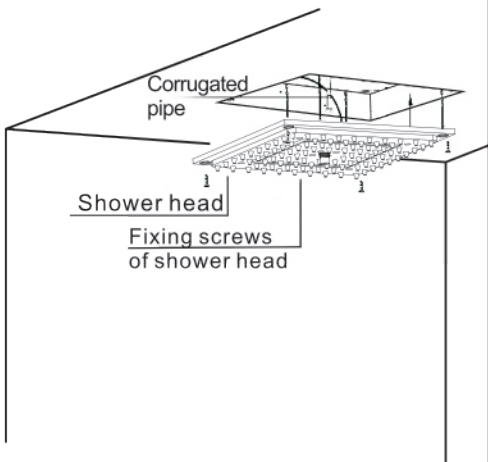
◆ Water Testing

11



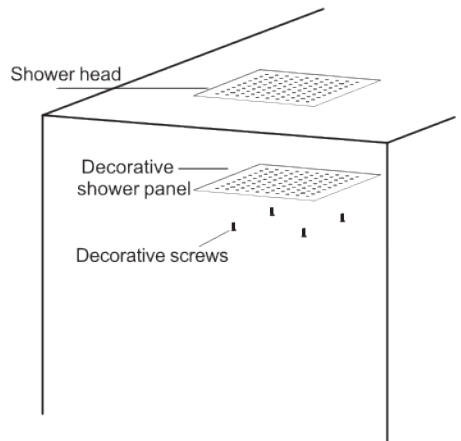
◆ Shower Head Installation

12



◆ Decorative Shower Panel Installation

13



◆ LED Touch Remote Instruction

Main parameter:

Panel controller:

Working Temp.: -20~60°C

Supply Voltage: DC12-24V

Size: L50*W35*H23mm
1 15/16"*1 6/16"*1 4/16"

Output: 3 channels

Output Current: <2A(each channel)

Connection mode: common anode

Touch Remote:

Working voltage: 1.5V*3V

Emission current: 10mA

Working Current: 300uA

Standby Current: 3uA

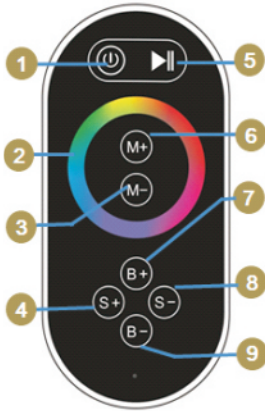
Standby time: 6 months

Control Distance: 20M

Color pulley point: 60



Touch remote has 9 touch keys, with each functioning as follows:



- ① Turn ON/OFF
- ⑤ Mode Switch
- ② Color Touch Ring
- ③/⑥ Color Temperature adjusting
- ④/⑧ Dynamic Speed adjusting
- ⑦/⑨ Dynamic Brightness adjusting

Mode:

NO.	FUNCTION	REMOTE
1	Static red	Brightness is adjustable Speed is unadjustable
2	Static green	
3	Static blue	
4	Static purple	
5	Static blue-green	
6	Static yellow	
7	Static white	
8	R G B Jumping	Brightness is adjustable Speed is adjustable
9	R G B Gradual	
10	7-Colors Jumping	
11	7-Colors Gradual	

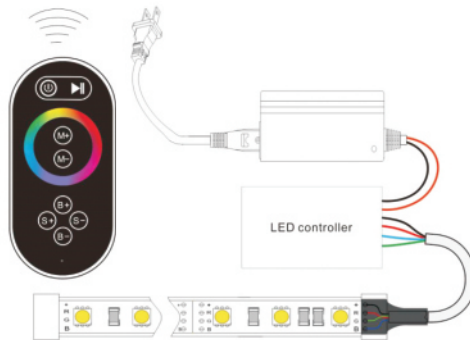
2. Power supply management:

The remote will enter the standby state (untouchable state) when pressed for more than 20s. If it happens, please slightly shake it once and then the remote will come back to the normal working state (touchable state).

3. Indicator light instruction:

- 3.1. The remote is idle or sending signal when the PWR is bright; when the PWR is off, it will enter the standby state.
- 3.2. When RF is bright, it means the remote is sending signal; off means there is no signal sending.

Controller connections shown:



Remarks:

1. This product should be commissioned and installed by qualified personnel.
2. This product can not be waterproof, need to avoid sun and rain, if installed outdoors, please use waterproof box.
3. Good heat dissipation conditions will extend the life of the LED controller, please install the product in a well-ventilated environment.
4. Please do not install or use such products in lightning, thunder, strong magnetic or high voltage applications.
5. Please check whether the output voltage of the LED power supply used meets the product voltage range requirements.
6. The diameter of the wire used must be sufficient to load the connected LED luminaire, and ensure that the wiring is firm, to avoid the wire overheating or poor contact triggers the accident.
7. Before power-on debugging, ensure that all wiring is correct to avoid damage to the luminaire due to wiring errors.

◆ Music Connection Description

TUSE YOUR OWN MOBILE PHONE TO FREELY CONTROL YOUR FAVORITE MUSIC

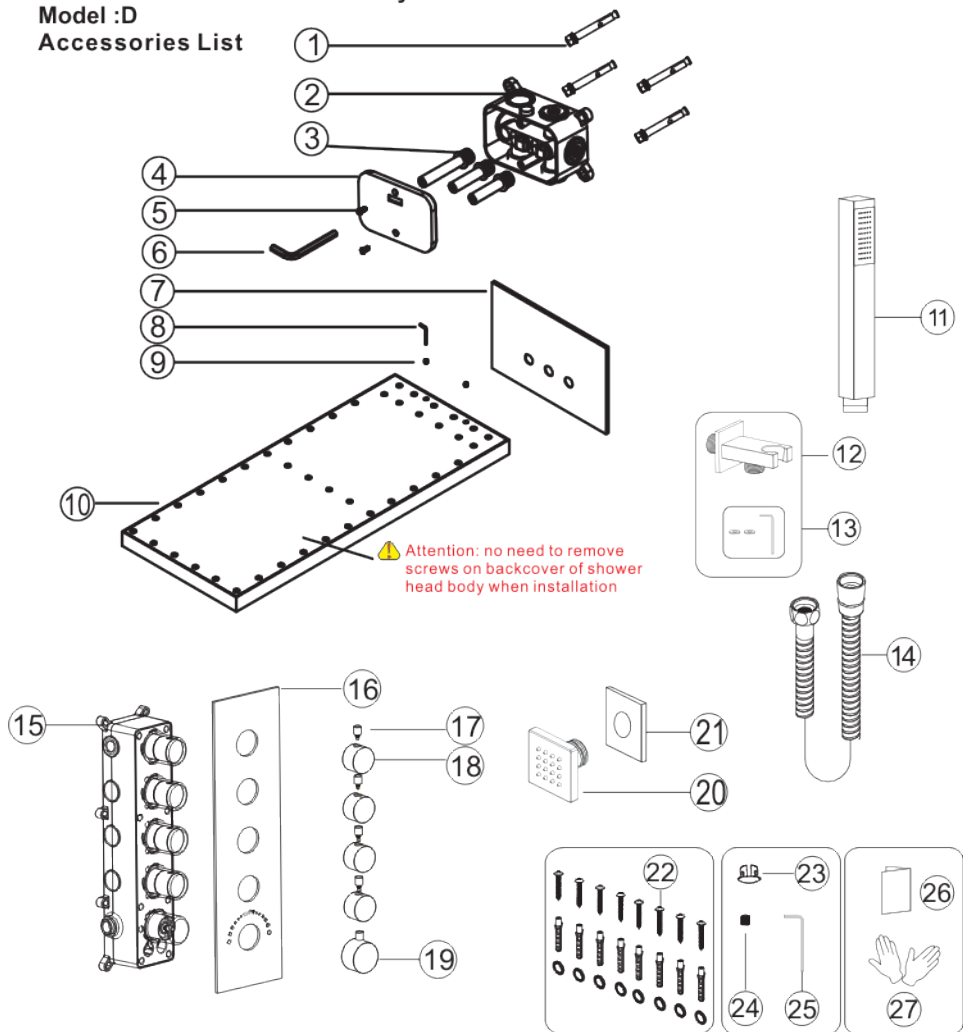


TURN ON THE PHONE'S BLUETOOTH PAIRING
TOP GRAY BLUETOOTH
ENJOY THE BATH

Turn on the Bluetooth of your mobile phone and find the name of the shower head Bluetooth then connect it. So that you can start playing wonderful music.

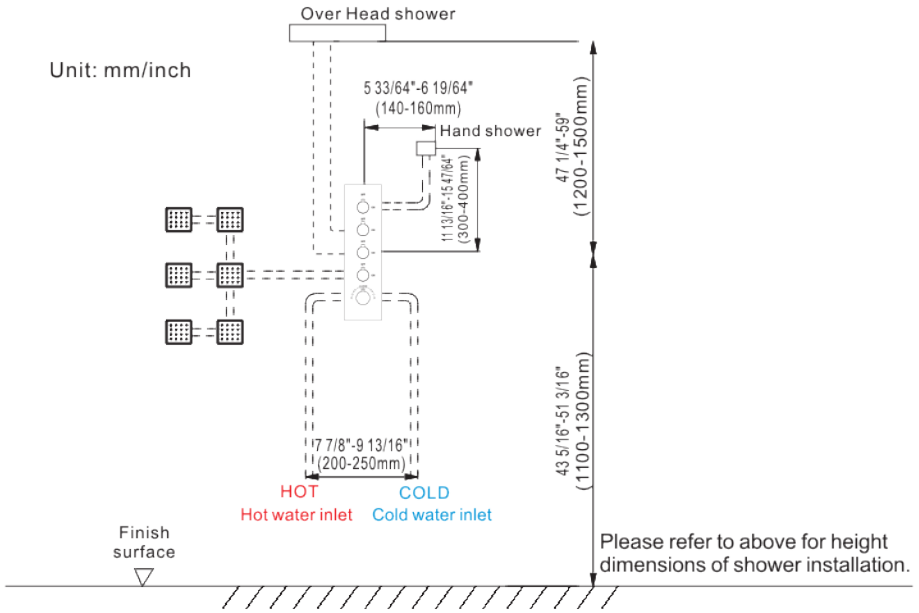
◆ Thermostatic 4 Functions Luxury Shower Faucet
Model :D

Accessories List

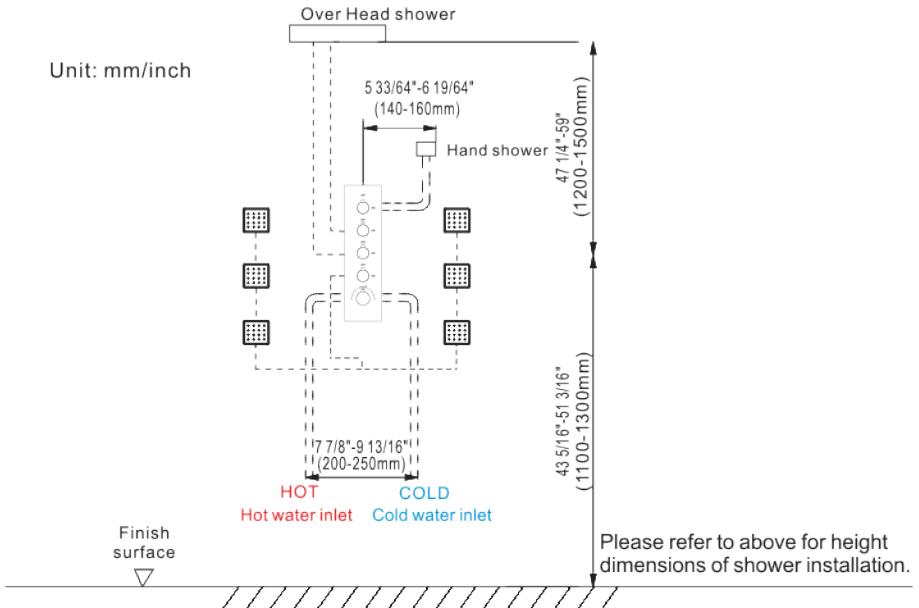


No.	Part name	Qty	No.	Part name	Qty	No.	Part name	Qty
1	Expansion screws	4	11	Shower hand	1	21	Body jet cover	6
2	Inwall box	1	12	Hand shower holder	1	22	Main body gasket parts	8
3	Water inlet	3	13	Hand parts	1	23	Handle cup	1
4	Cover	1	14	Shower hose	1	24	Handle screw	1
5	Screw	2	15	Main body	1	25	Handle Wrench	1
6	S8 Allen key	1	16	Panel	1	26	Instruction manual	1
7	Flange	1	17	Water diverter rod	4	27	Gloves	2
8	Allen key 2.5	1	18	Water diverter	4			
9	M4 screw	2	19	Handle	1			
10	Shower head body	1	20	Body jet	6			

◆ Installation Shower Set Size & Water Pipe Line Reference

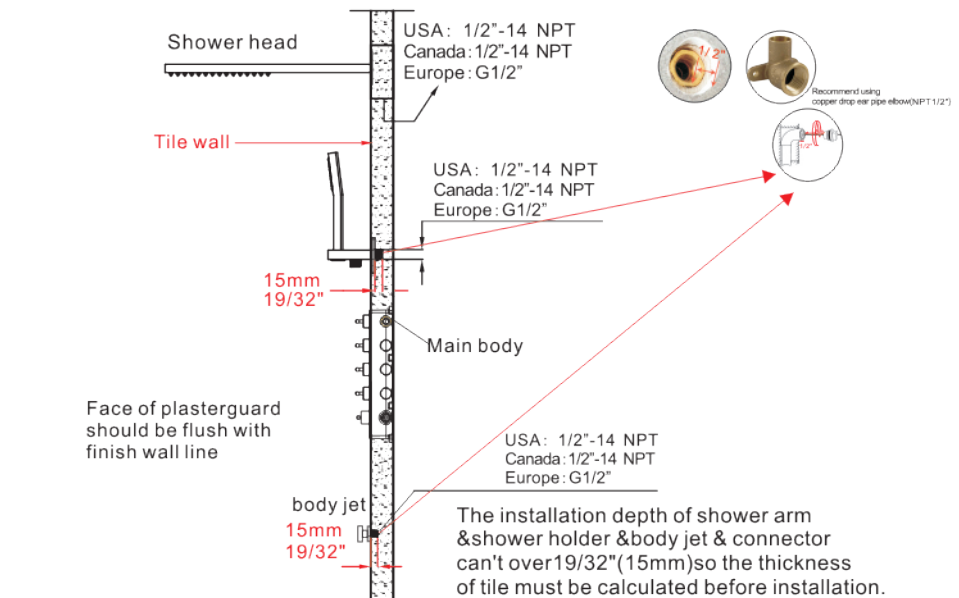


◆ Installation Shower Set Size & Water Pipe Line Reference



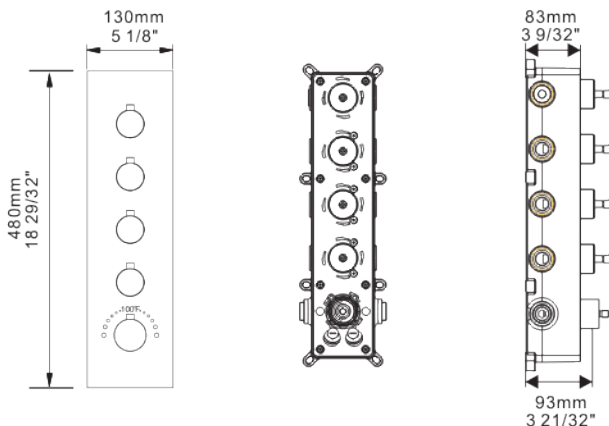
◆ Installation Depth Of Shower Holder & Body Jet

Unit:mm/inch



◆ Installation Depth Of Main Body

Unit:mm/inch



! The depth of main body should be in the thickness range of wall tile

Notice: 1. The installation depth of main body should be no less than 3 9/32"(83mm) and no more than 3 21/32"(93mm), including the thickness of tile. Other wise, the panel cannot be installed.

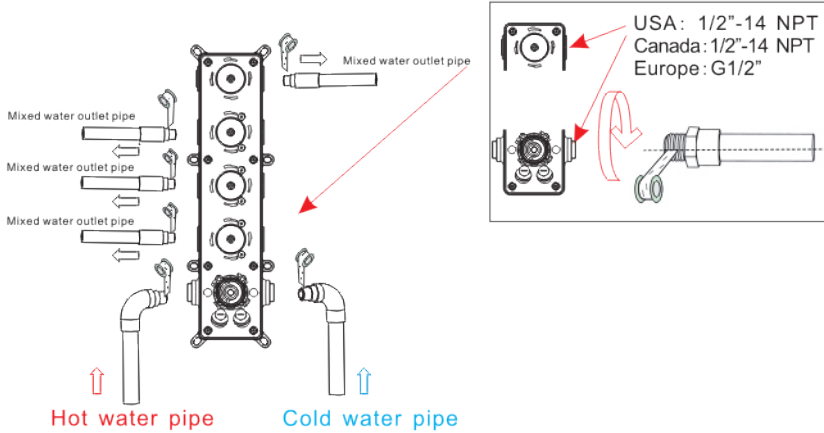
2. The opening size of ceramic tile shall be smaller than the panel size

◆ Piping Instructions Before Tiling



Warning: must install hot water and cold water inlet strictly as instructions.

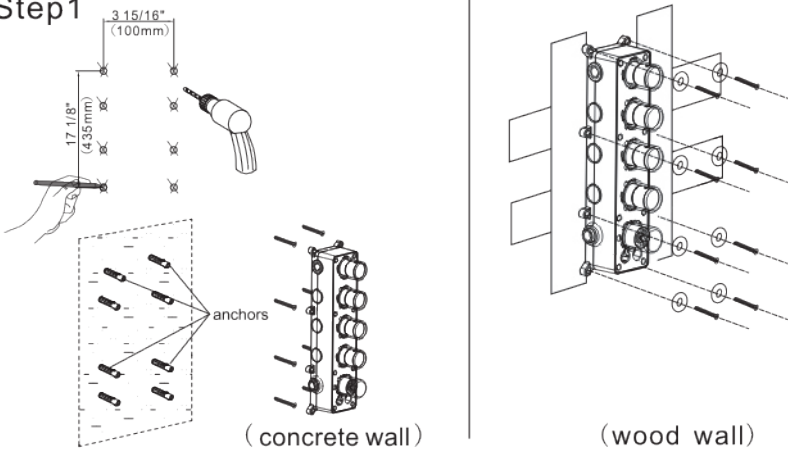
Wrap enough teflon tape



1. As shown in the figure, the inlet and outlet pipes are pre-buried. Please pay attention to the correct direction of installing the pre-buried main body, and make sure that the mark level on the top of the installation box is facing upward.
2. Install the hot and cold water inlet pipes and three mixed water outlet pipes connected to shower head, hand shower holder and body jet pipes separately.
3. Before tiling, turn on the water to test whether the left and right inlet pipes are tightly connected without leakage. Then, adjust the flow switch to be on to check the mixed outlet pipes for leakages.

◆ Main Body Valve Installation

Step1

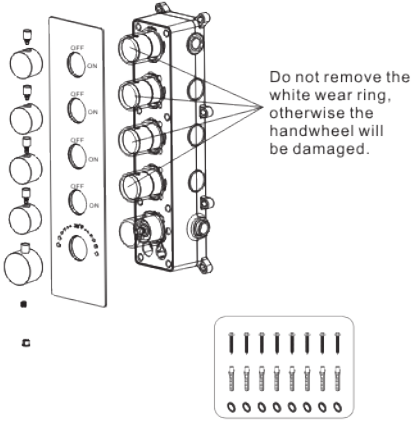


1. Make marks according to the size of the main body valve and then drill anchors into the wall (concrete wall)
2. Lock main body to wall directly with screws (wood wall)

▲ Please note that the level meter should be parallel with the wall, otherwise the panel cannot be installed.

◆ Main Body valve installation

Step2

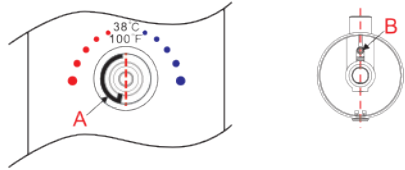


Precautions for handwheel installation

※1: The line can't misplace, it should be kept in a line, otherwise the water temperature of 100 F or 38 C will not be correct.



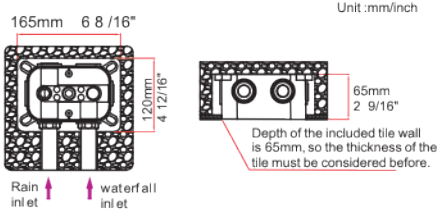
※2: Please ensure that A Plastic locating ring and B handwheel locating pin kept in the same line with 100 F or 38 C. Otherwise, the water temperature will be wrong.



1. Please install panel, water diverters and water diverter rods step by step and Remove the transparent protective cover.
2. Install the handle with the screw and handle cap.

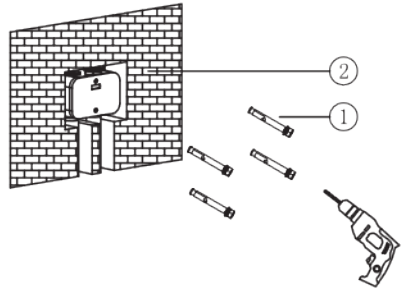
◆ 22in Shower Head Installation

1. Digging wall according to following size, and connect rain and waterfall inlet correctly

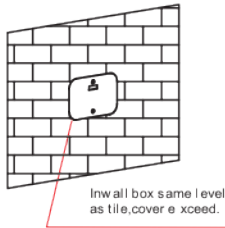


⚠ If the Inwall box is embedded too deep, the shower head will not be installed properly and it will cause water leakage and sag problems. Please pay special attention to the installation depth.

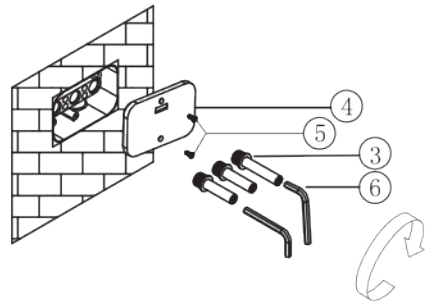
2. Lock Inwall box refer to level meter guarantee horizontal level and test leaking for 24 hours.



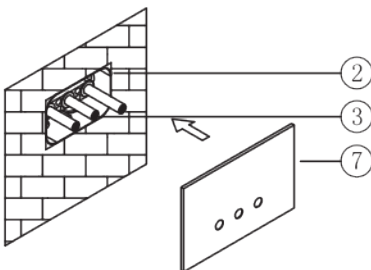
3. Remain inwall box in same level as wall after seal the tile and cover exceed wall.



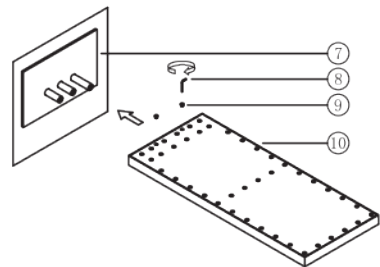
4. Install Shower head body. First remove box cover and plug, screw three water inlets into inwall box with S8 Allen Key. Longest role is support.



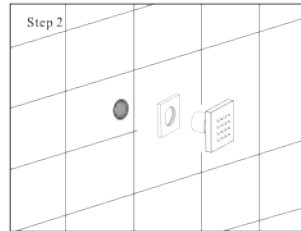
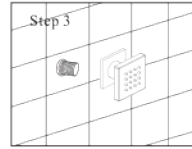
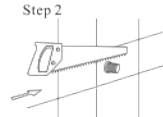
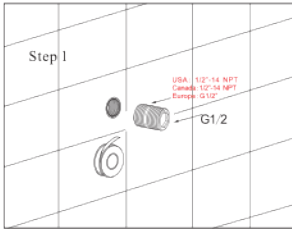
5. Install Flange as picture. Caution: do setp 4-5-6 to test horizontal and vertical position of shower head before wall seal to avoid any trouble of repair after wall seal.



6. Push shower head body into according water inlets, and tighten shower body by M4 screw with Allen key 2.5.



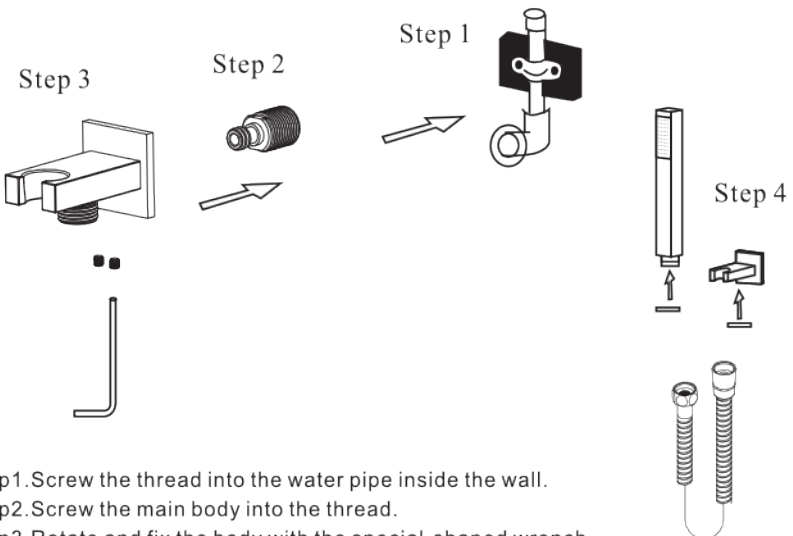
◆ Body Jets Installation



Step 1. Wrap the threaded pipe of NPT1/2 with Teflon tape and screw it into the wall.
 Step 2. Cut off excess part with a saw.
 Step 3. Screw the massage body jet onto the wall.

⚠ The opening size of ceramic tile shall be smaller than the decorative cup of body jet size, otherwise it will not be installed

◆ Hand Shower Holder Installation



Step1. Screw the thread into the water pipe inside the wall.
 Step2. Screw the main body into the thread.
 Step3. Rotate and fix the body with the special-shaped wrench.
 Step4. Connect hand shower and the hose.

◆ CARE AND MAINTENANCE

In order to keep the mixer surface bright , please clean the mixer regularly.

Rinse faucet with clean water and wipe with soft cotton cloth.

Avoid suing cleaning powder , harsh cleaning chemicals, brushes, and cloth with coarse surface to prevent scratching and corrosion.

Do not use acid cleaner to clean the faucet as it may cause surface corrosion of the faucet. If the faucet comes into contact with harmful acid substances, please rinse it with water immediately.



◆ IF A LARGE-SCALE CLEAN-UP IS NECESSARY, FOLLOW THESE PROCEDURES

1: Use clean water and soft cloth to remove dirt on the surface as much as possible.

2: Use one of the following cleaners to remove dirt on the surface

Mild liquid cleaner.

Colorless glass cleaner, powder cleaner which does not have abrasive function and can be dissolved completely.

Polish liquid which does not abrasive function.

3: After cleaning, remove the cleansing agent with clean water completely and wipe with soft cotton cloth.