

DIGITAL DISPLAY THERMOSTATIC SHOWER INSTALLATION GUIDE



Model:6369

◆ INSTALLATION CONDITION



1.Refer to the 《Standard Part List》 when unpacking , check all parts available .

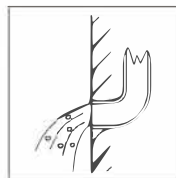
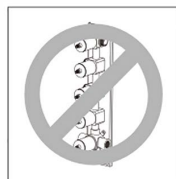
2.Do not disassemble mixer body by yourself.

3.Connect inlet hoses to supply valves.

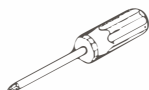
4.Make sure inlet pipes and supply valves have been installed and cleaned, also ensure no impurities in pipeline.

5.After installation , check all joints for leakages.

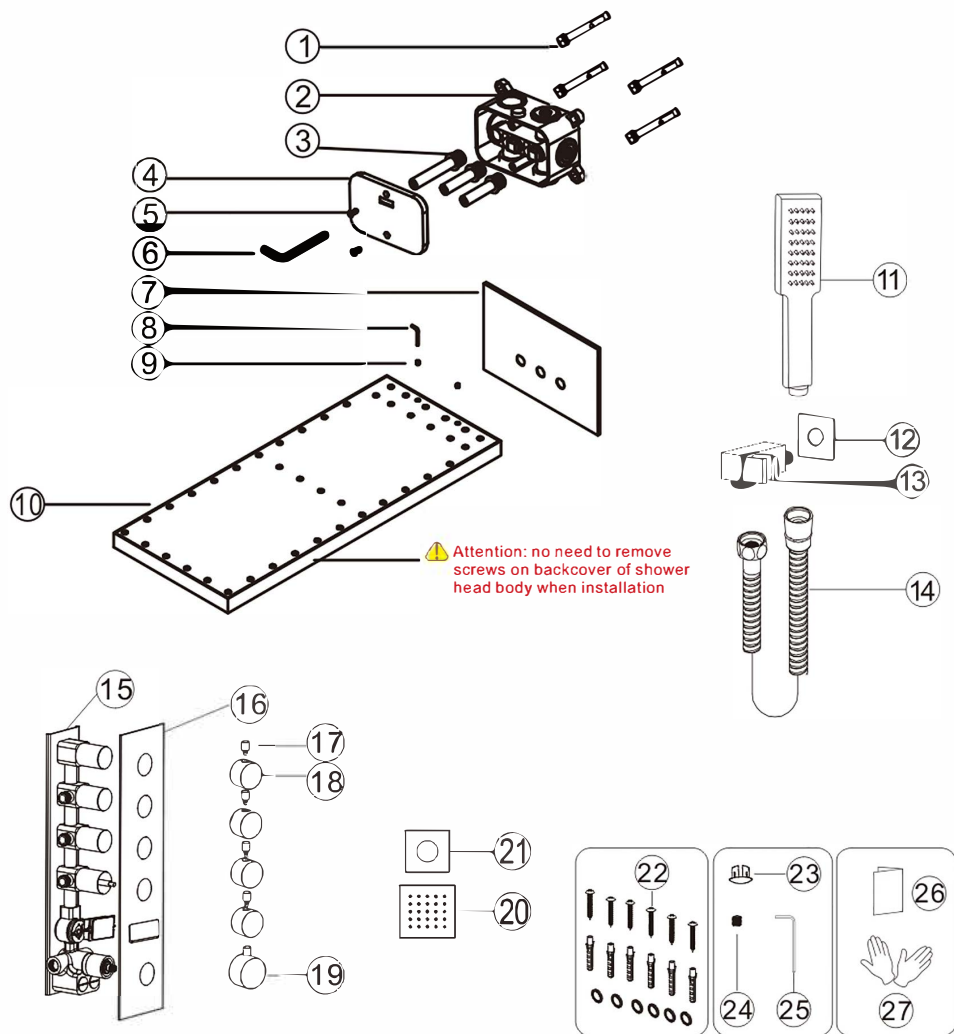
6.Suggest don't fit the faucet in the severely corrosive environments.



YOU MAY NEED:



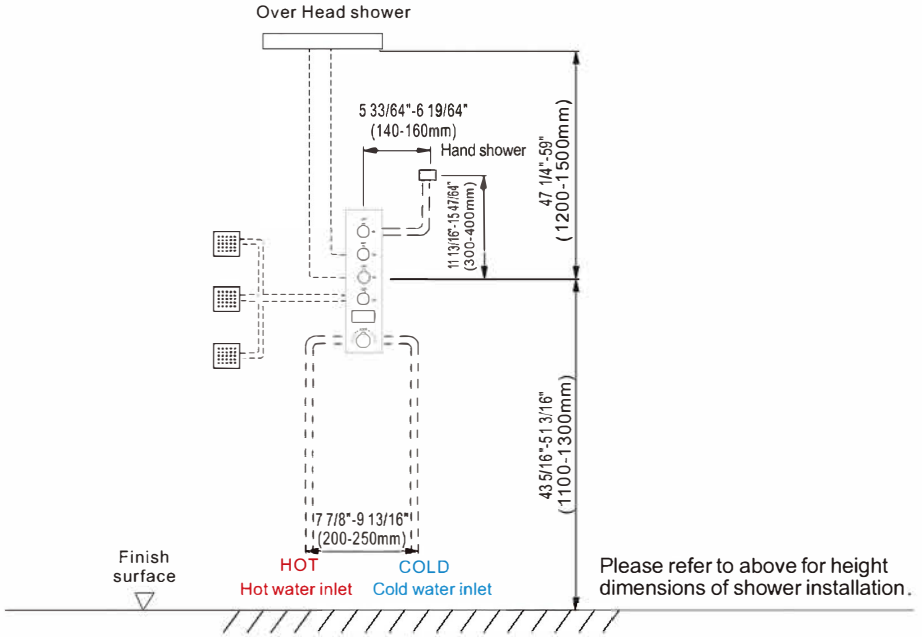
◆ PRODUCT LIST



| No. | Part name | Qty | No. | Part name | Qty | No. | Part name | Qty |
|-----|------------------|-----|-----|--------------------|-----|-----|------------------------|-----|
| 1 | Expansion screws | 1 | 10 | Shower head body | 1 | 19 | Handle | 1 |
| 2 | Inwall box | 2 | 11 | Shower hand | 1 | 20 | Body jet | 3 |
| 3 | Water inlet | 1 | 12 | Holder cup | 1 | 21 | Body jet cup | 1 |
| 4 | Cover | 8 | 13 | Hand shower holder | 1 | 22 | Main body gasket parts | 6 |
| 5 | Screw | 1 | 14 | Shower hose | 1 | 23 | Handle cup | 1 |
| 6 | S8 Allen key | 1 | 15 | Main body | 1 | 24 | Handle screw | 1 |
| 7 | Flange | 1 | 16 | Panel | 1 | 25 | Handle Wrench | 1 |
| 8 | Allen key 2.5 | 1 | 17 | Water diverter rod | 3 | 26 | Instruction manual | 1 |
| 9 | M4 screw | 2 | 18 | Water diverter | 3 | 27 | Gloves | 2 |

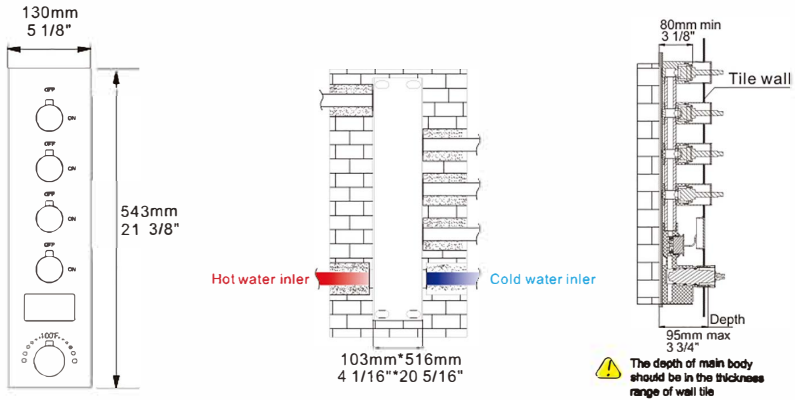
◆ INSTALLATION SHOWER SET SIZE & WATER PIPE LINE REFERENCE

Unit: mm/inch



◆ INSTALLATION DEPTH OF MAIN BODY

Unit: mm/inch

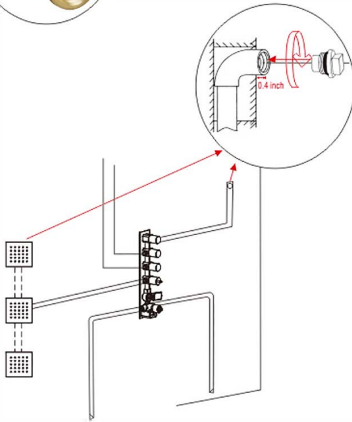


- 1: Including the thickness of ceramic tile is less than or equal to the thickness of valve 3 3/4"(95mm), so the thickness of tile must be calculated before installation.
- 2: Installation Main body depth not less than 3 1/8"(80mm)min and not more than 3 3/4" (95mm) Max. Otherwise, the panel cannot be installed.
- 3: The hole size of the main body after tiling is smaller than the size of the panel.

◆ **CEILING MOUNTED INSTALLATION BEFORE TILING**

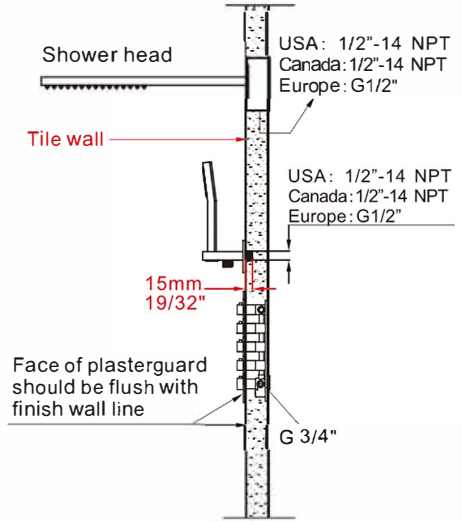


Recommend using copper drop ear pipe elbow(NPT 1/2")



1:Recommend using Copper drop ear pipe elbow(NPT 1/2)
USA:1/14 NPT 2 -Canada:1/2"-14 NPT
Europe:G1/2"

◆ **INSTALLATION DEPTH OF SHOWER HOLDER & BODY JET**

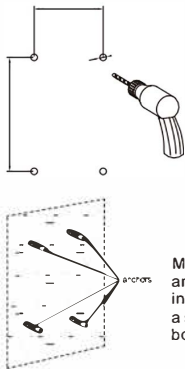


The installation depth of shower holder can't over 19/32"(15mm)so the thickness of tile must be calculated before installation.

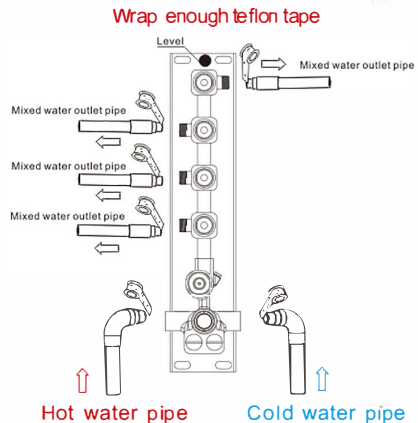
◆ **MAIN BODY CONNECTING PIPE SCHEMATIC DIAGRAM**



Warning:must install hot water and cold water inlet strictly as instructions.

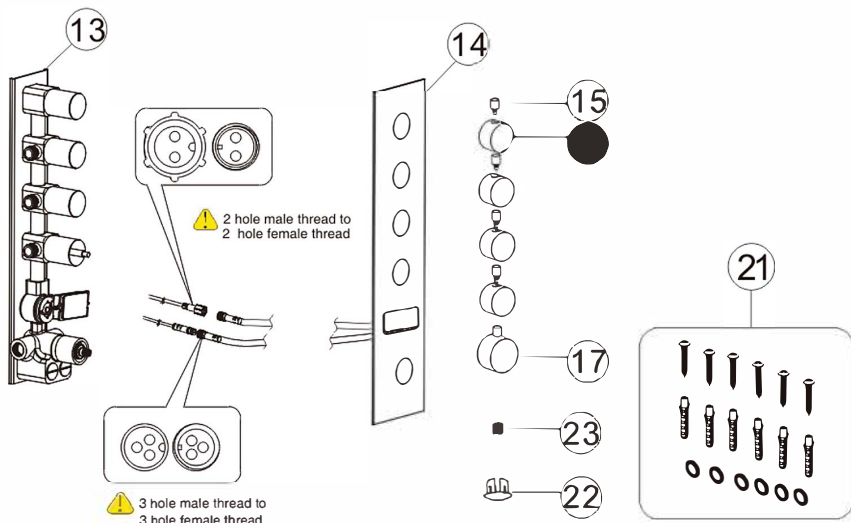


Mark the position of anchors and put them into the wall, then use a screw to lock the body to the wall



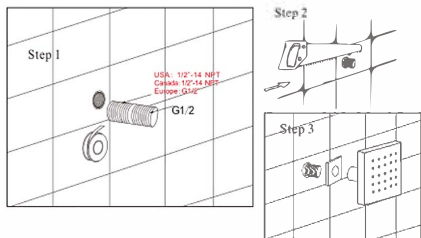
- As shown in the figure, the inlet and outlet pipes are pre-buried, pay attention to the correct direction of installing the pre-buried main body, and make sure that the mark level on the top of the installation box is facing upward.
- Install the hot and cold water inlet pipes, Shower head and hand shower holder body jet pipes. Turn on the water source to test whether the left and right inlet pipes are tightly connected without leakage. After the test, adjust the flow switch to be on to test whether the mixed outlet pipe. The connection is tight and there is no leakage.

◆ MAIN BODY VALVE INSTALLATION

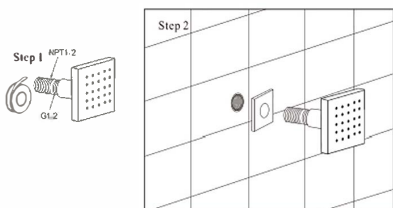


Use ⑳ Valve gasket spare parts and to fixed ⑑ Main body on the wall and then install ⑒ Panel ⑓ Hand ⑔ Hand screw and ⑕ Hand cup ⑖ Water diverter ⑗ Water diverter rod in the correct order.

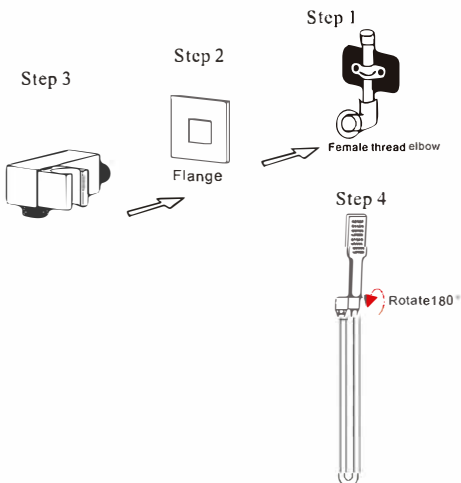
◆ INSTALLATION OF MESSAGE SHOWER



Step 1. Wrap the threaded pipe of NPT1/2 with Teflon tape and screw it into the wall.
Step 2. Cut off excess part with a saw.
Step 3. Put on the decoration cap, then screw the message shower in.



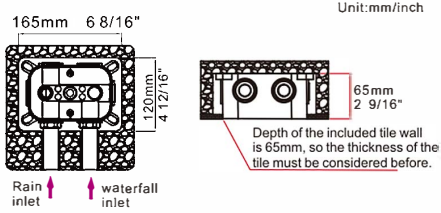
◆ SHOWER HOLDER INSTALLATION INSTALL THE HAND SHOWER HOLDER



Step 1. Screw the thread into the water pipe inside the wall.
Step 2. Screw the main body into the thread.
Step 3. Rotate and fix the body with the special-shaped wrench.
Step 4. Connect hand shower and the hose.

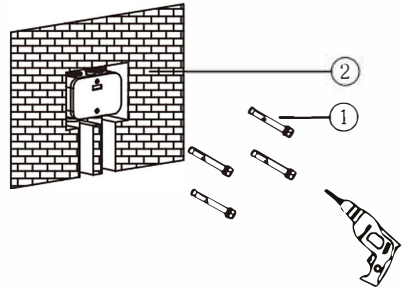
◆ 22IN SHOWER HEAD INSTALLATION

1. Digging wall according to following size, and connect rain and waterfall inlet correctly

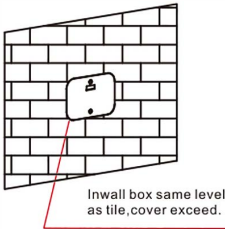


⚠ If the Inwall box is embedded too deep, the shower head will not be installed properly and it will cause water leakage and sag problems. Please pay special attention to the installation depth.

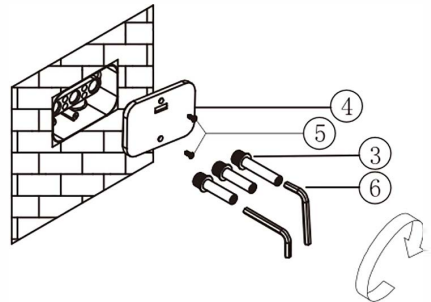
2. Lock Inwall box refer to level meter guarantee horizontal level and test leaking for 24 hours.



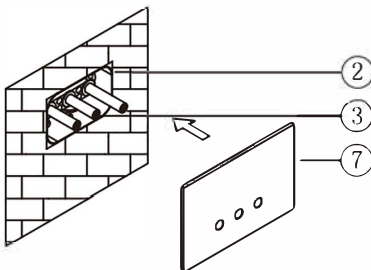
3. Remain inwall box in same level as wall after seal the tile and cover exceed wall.



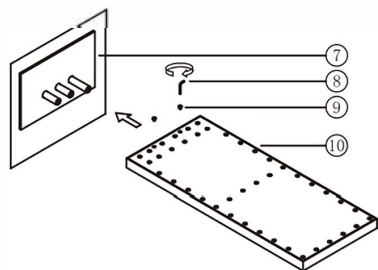
4. Install Shower head body. First remove box cover and plug, screw three water inlets into inwall box with S8 Allen Key. Longest role is support.



5. Install Flange as picture. Caution: do setp 4-5-6 to test horizontal and vertical position of shower head before wall seal to avoid any trouble of repair after wall seal.



6. Push shower head body into according water inlets, and tighten shower body by M4 screw with Allen key 2.5.



◆ CARE AND MAINTENANCE

In order to keep the mixer surface bright , please clean the mixer regularly.

Rinse faucet with clean water and wipe with soft cotton cloth.

Avoid using cleaning powder , harsh cleaning chemicals, brushes, and cloth with coarse surface to prevent scratching and corrosion.

Do not use acid cleaner to clean the faucet as it may cause surface corrosion of the faucet. If the faucet comes into contact with harmful acid substances, please rinse it with water immediately.



◆ IF A LARGE-SCALE CLEAN-UP IS NECESSARY, FOLLOW THESE PROCEDURES

1: Use clean water and soft cloth to remove dirt on the surface as much as possible.

2: Use one of the following cleaners to remove dirt on the surface

Mild liquid cleaner.

Colorless glass cleaner, powder cleaner which does not have abrasive function and can be dissolved completely.

Polish liquid which does not have abrasive function.

3: After cleaning, remove the cleansing agent with clean water completely and wipe with soft cotton cloth.