

LUXURY LED SHOWER

INSTALLATION INSTRUCTION

SHOWERING
WITH
ROMANTIC
AND FUN



Bluetooth music speaker



Remote control
LED light

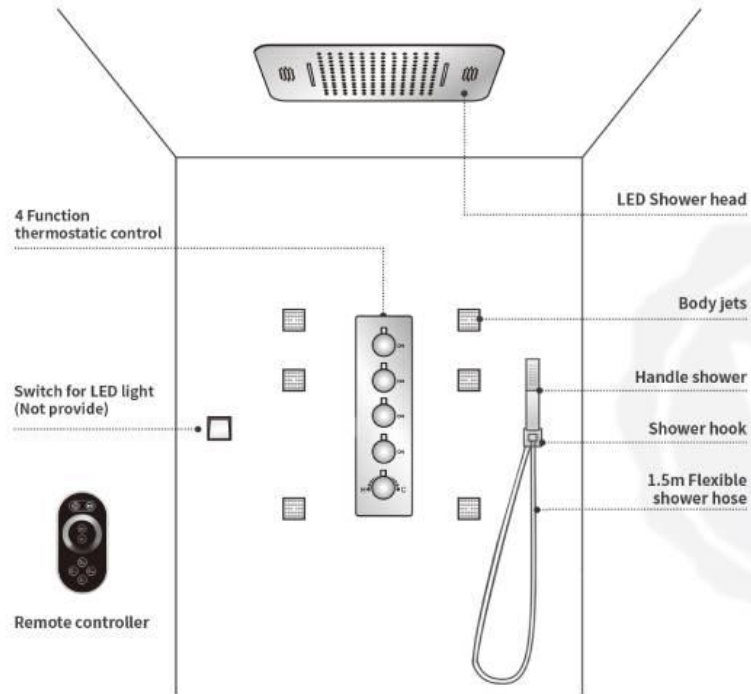


64 RGB
LED color

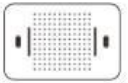
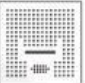
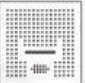

LED shower system installation instruction manual

SHOWERING WITH ROMANTIC AND FUN

Product Specification



Bom List

Name	Size	Quantity
 LED Shower head OR  LED Shower head	Fix frame : 530*330*70mm Shower panel : 580*380mm	1 Pcs
 LED Shower head	Fix frame : 380*380*70mm Shower panel : 400*400mm	1 Pcs
 4 Function thermostatic control	Fix frame : 425*85*62mm Shower panel : 465*130mm	1 Pcs
Handle shower	30*200*35mm	1 Pcs
Shower hook	45*45*55mm	1 Pcs
Flexible shower hose	1.5m	1 Pcs
Body jets	50*50*45mm	6 Pcs

Install Caution :

Please read carefully these instructions before proceeding with the product installation.

It is indispensable to flush through the supply pipes before installing and using the product.

Technical Data :

Operating pressure
= 0,3 - 1MPa (3 - 10bar)

Large differences in pressure between the hot and the cold water supply should be balanced.

Recommended hot water temperature
= 60° C - 70° C

Maximum hot water temperature
= 70° C

Cleaning :

It is recommended to clean the tap with a soapy solution.

Never use cleaners containing acids, abrasives, or solvents.

Towel dry any water left on the product after each use to avoid water spots on its surface.

To avoid obstructions caused by scale build-up at the aerator it is recommended to periodically dismount it and submerge it in water with vinegar.

Cartridge Change :

It is essential to turn off the water supply system (angle valve or stopcock) and to close the pop-up waste before beginning with the cartridge change.

The stronger you tighten the cartridge nut, the harder the lever will move.

❖ **Install Caution**

Please read the safety warnings carefully

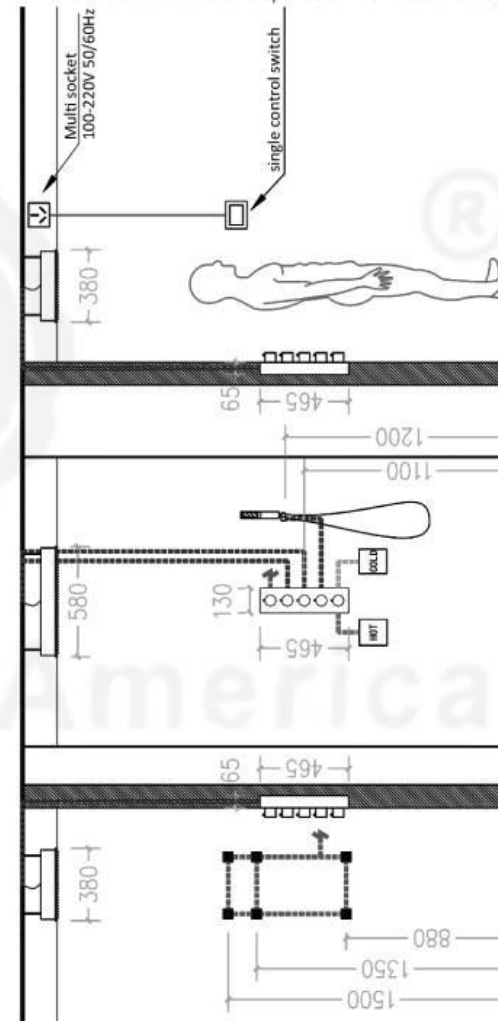
Tools needed as bellow



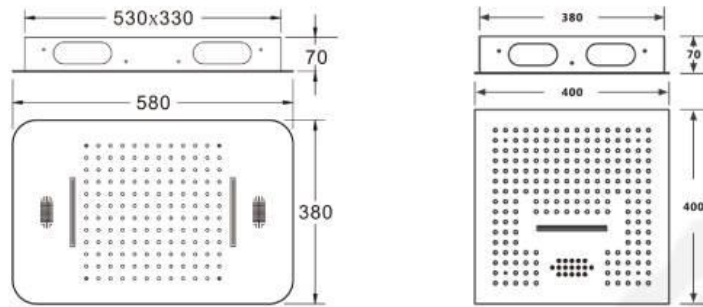
❖ **Power / water pipe - layout**

Before installation, well plan the pipe groove in the required position for the product according to the actual installation location of the wall and ceiling.

(The following grooves are for reference only, and the actual location depends on individual needs)



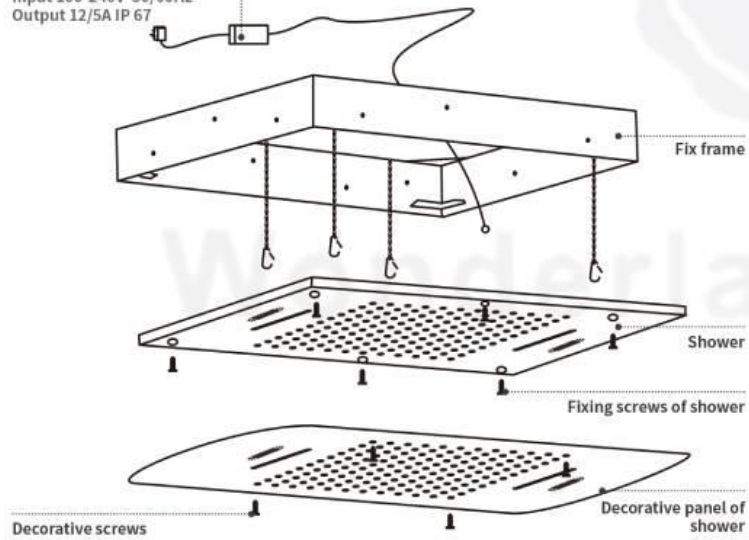
❖ **Luxury LED Shower spare parts**
Exterior Dimensions



❖ **Luxury LED Shower spare parts**
Identification chart

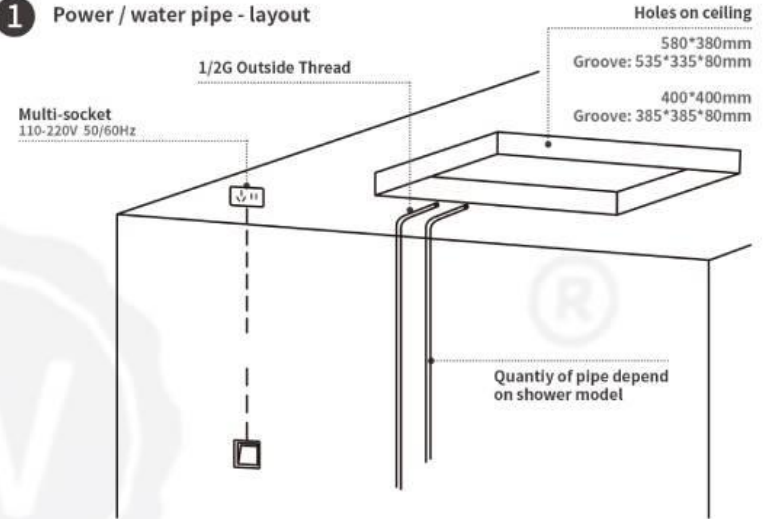
Transformer

Input 100-240V 50/60Hz
 Output 12/5A IP 67



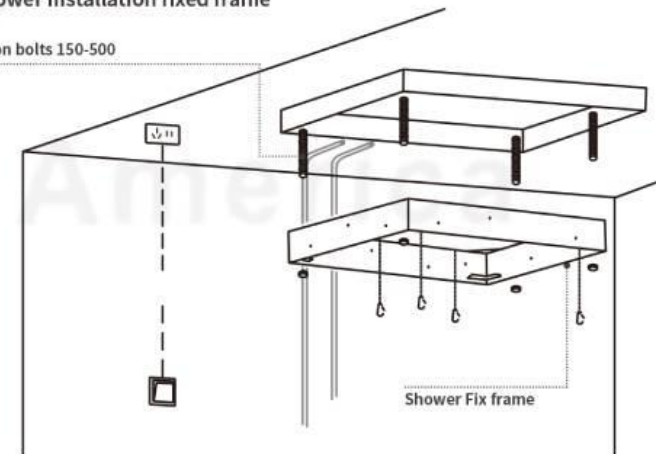
❖ **Luxury LED Shower spare parts installation instruction**

1 Power / water pipe - layout



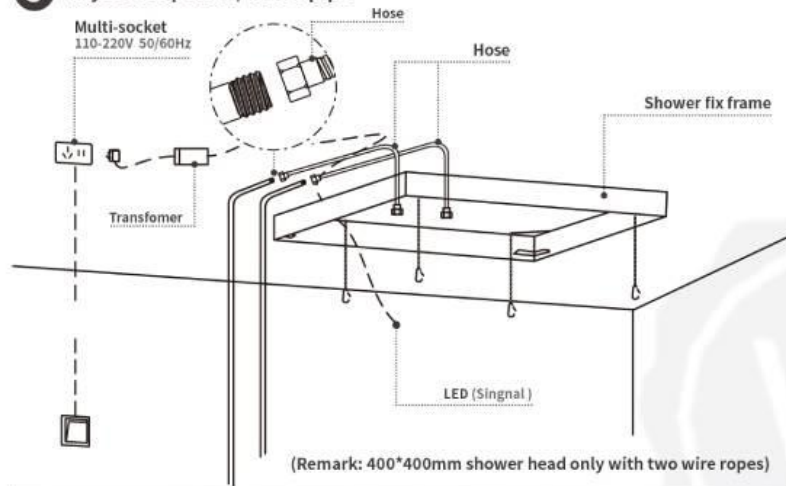
2 Shower installation fixed frame

Expansion bolts 150-500



❖ **Luxury LED Shower spare parts installation instruction**

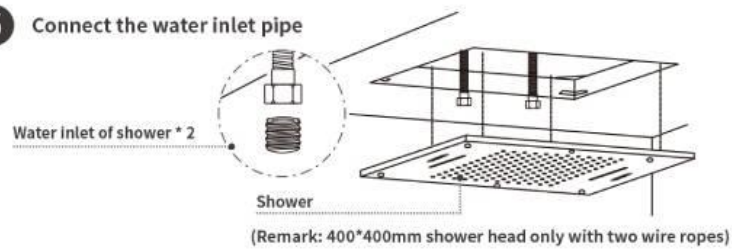
3 layout for power / water pipe



4 Install Shower

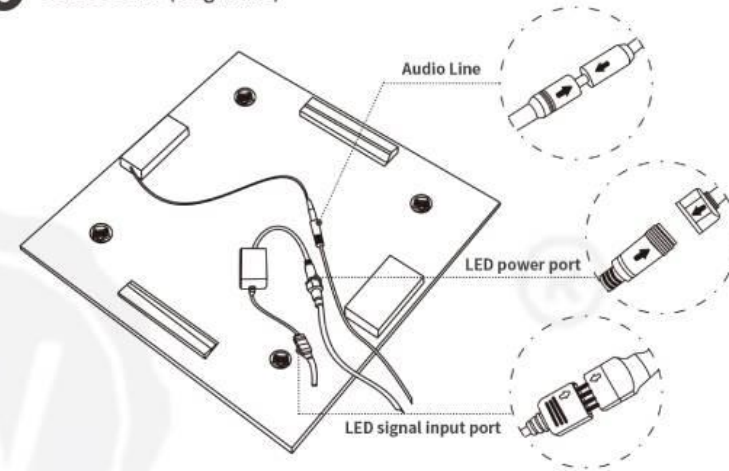


5 Connect the water inlet pipe

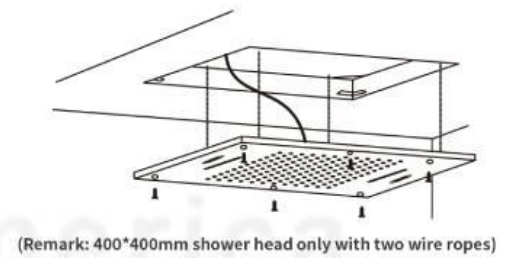


❖ **Luxury LED Shower spare parts installation instruction**

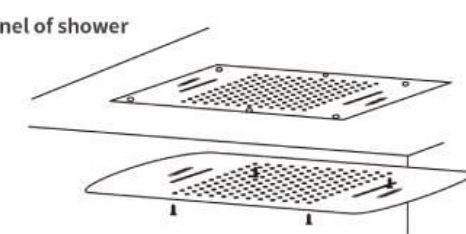
6 Connect LED (singal line)



7 Shower installation

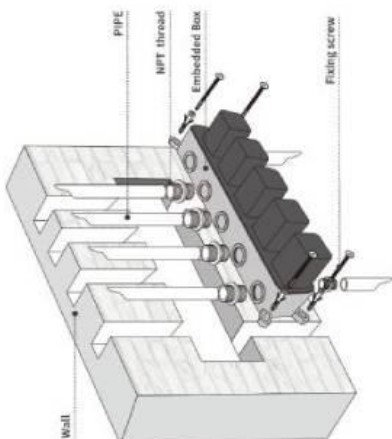


8 Fix the decorative panel of shower



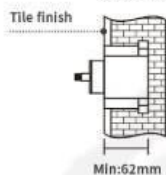
❖ Installation method

9 4 Function thermostatic control Embedded Box



Before Tiling

Please grooved and install the shower valve according to the size drawing, the depth of the groove is about 60-65mm

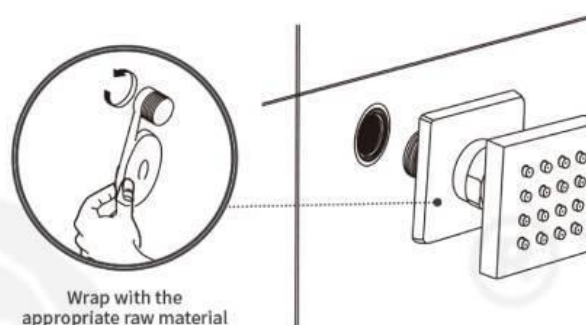


After the installation is complete, turn on the water source and try to see if the water is leaking or clogged.

❖ Installation method

11 Body jets * 6

After Tiling

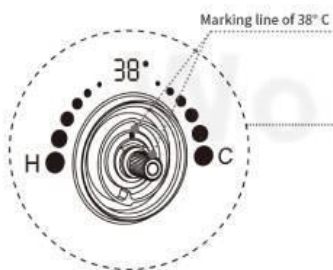


Wrap with the appropriate raw material

Installing on the required outlet pipe

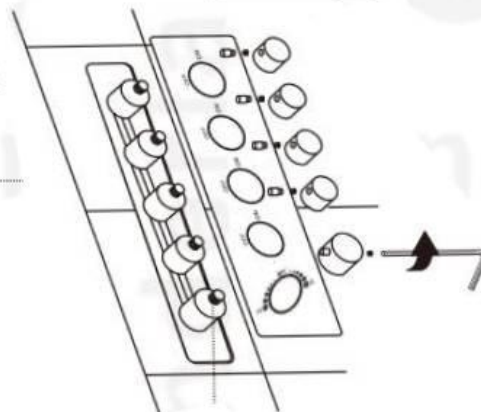
10 4 Function thermostatic control

Install the handles



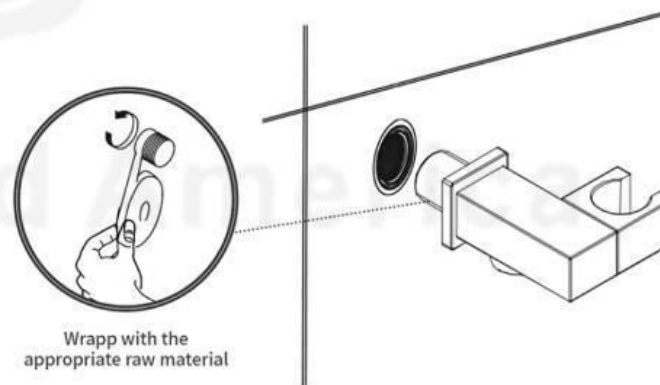
Thermostatic handle installation: Remove the handle and check whether the 38° C line of the thermostatic valve core is aligned as below picture. (This is the marking line for testing the water temperature of 38° C.)

After Tiling



12 Handle shower hook

After Tiling



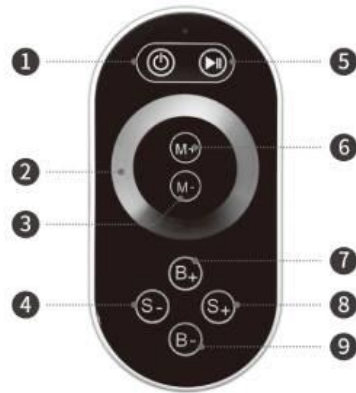
Wrapp with the appropriate raw material

Installing on the required outlet pipe

➤ **USER MANUAL**

Main parameter:
 Panel controller:
 Working Temp.: -20~60
 Supply Voltage: DC12-24V
 Size: L50*W35*H23mm
 Output: 3Channel
 Output Current: <2A(each channel)
 Connection mode: common anode

Touch Remote:
 Working voltage: 1.5V*3V
 Emission current: 10mA
 Working Current: 300uA
 Standby Current: 3uA
 Standby time: 6 months
 Control distance: 20M
 Color pulley point: 60



- 1. Turn ON/OFF
- 5. Mode Switch
- 2. Color Touch Ring
- 3/6. Color Temperature adjusting
- 4/8. Dynamic Speed adjusting
- 7/9. Dynamic Brightness adjusting

Touch remote use instruction:

1. Touch remote have 64 touch key, each keys function below:
 Pause: on the dynamic mode, you can make the controller to stop the current state now.
2. Power supply management:
 Stop to use the remote more than 20s, the remote will enter the stand by state (untouchable state): slightly shake once, then the remote will come back to the normal working state (touchable state)
3. Indicator light instruction:
 Slightly shake once, then the remote will come back to the normal working state (touchable state)
 1. the remote is idle or sent signal when the PWR bright, PWR is off, then means the remote is in standby state;
 2. RF is bright, that means remote is sending signal. off means there is no signal sending

Mode:

NO.	FUNCTION	REMOTE
1	Static red	Brightness is adjustable Speed is unadjustable
2	Static green	
3	Static blue	
4	Static purple	
5	Static blue-green	
6	Static yellow	
7	Static white	
8	R G B Jumping	Brightness is adjustable Speed is adjustable
9	R G B Gradual	
10	7-Colors Jumping	
11	7-Colors Gradual	

Controller connections shown:

Touch remote use instruction:

Remarks:

1. This product should be commissioned and installed by qualified personnel.
2. This product can not be waterproof, need to avoid sun and rain, if installed outdoors, please use waterproof box.
3. Good heat dissipation conditions will extend the life of the LED controller, please install the product in a well-ventilated environment.
4. Please do not install or use such products in lightning, thunder, strong magnetic or high voltage applications.
5. Please check whether the output voltage of the LED power supply used meets the product voltage range requirements.
6. The diameter of the wire used must be sufficient to load the connected LED luminaire, and ensure that the wiring is firm, to avoid the wire overheating or poor contact triggers the accident.
7. Before power-on debugging, ensure that all wiring is correct to avoid damage to the luminaire due to wiring errors.

➤ **Safety warning notes:**

Content for users as shown in the following major issues of, in order to prevent the occurrence of personal injury or property loss, be sure to respect. Please read the safety warnings and precautions, to be properly use of this product.



Warning

Be sure to respect the users, if ignoring the wrong side of this operation that may cause serious personal injury or significant property loss, resulting in the loss of no responsibility of the Company. Failure of this product must be carried out by professionals to repair and protect, to the demolition of this product is strictly prohibited.



Warning

If you ignore this marker, the possibility of a minor personal injury or property loss.



Warning

Please do not permission to demolish, repair, alteration of the products, such as the replacement of the power cord

The absolute prohibition of touch the electrical outlet with wet hands. Use wet hands to touch the power seat, there might cause an electric shock hazard.



Prohibited

Please do not connect water pipes outside the home, such as industrial sources. It may lead insufficient water pressure or damage the skin.



Implementation

Demolition or repair of products, be sure to pull the plug to ensure security. It may get an electric shock.



Implementation

Please do not use defective power supply, plugs, sockets, please contact Service Center for timely replacement. It may lead to fire.



Implementation

Please take this as a specialized product in bathroom, not for other purposes. It may lead to fire, leakage, injury.



Implementation

No use this product for a long time, please unplug the power, let the water out completely to protect the motor. It may lead to fire, leakage.



No implementation of water, it may lead to deterioration caused by skin disease.