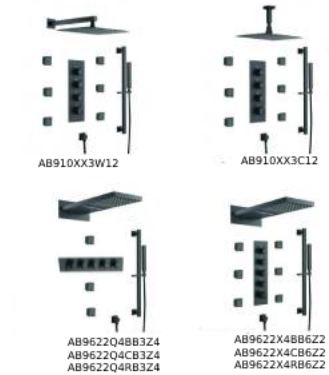


**THERMOSTATIC SHOWER Series  
INSTALLATION GUIDE**



**B-10**

**CONTENT**

1. INSTALLATION CONDITION	P1
2. MODEL SHOWER SET INSTALLATION	P2
3. MODEL SHOWER SET INSTALLATION	P2
4. MODEL SHOWER SET INSTALLATION	P3
5. MODEL SHOWER SET INSTALLATION	P4

**INSTALLATION CONDITION**



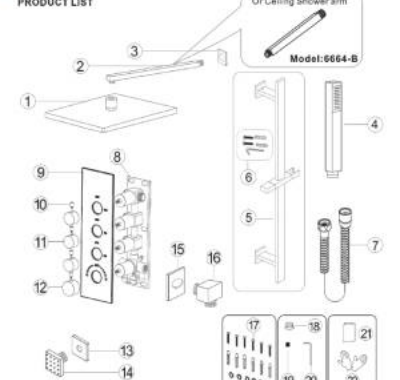
1. Refer to the (Standard Part List) when unpacking, check all parts available.
2. Do not disassemble mixer body by yourself.
3. Connect inlet hoses to supply valves.
4. Make sure inlet pipes and supply valves have been installed and cleaned, also ensure no impurities in pipeline.
5. After installation, check all joints for leakages.
6. Suggest don't fit the faucet in the severely corrosive environments.

**YOU MAY NEED:**



-1-

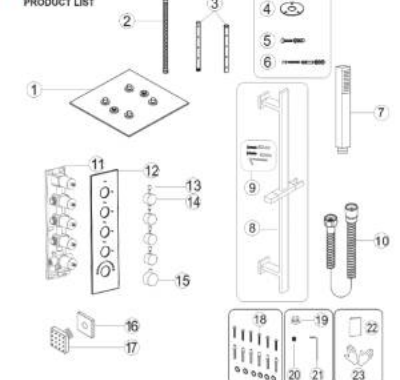
**AB910XX3W12  
PRODUCT LIST**



No.	Part name	Qty	No.	Part name	Qty
1	Shower head	1	12	Handle	1
2	Shower arm	1	13	Body jet cup	6
3	Shower arm cup	1	14	Body jet	6
4	Shower hand	1	15	Cup	1
5	Lifting rod	1	16	Connector	1
6	Lifting rod parts	2	17	Main body spare parts	6
7	Shower hose	1	18	Hand cap	1
8	Main body	1	19	Screw	1
9	Panel	1	20	Wrench	1
10	Water diverter rod	3	21	Instruction manual	1
11	Water diverter	3	22	Gloves	2

-2-

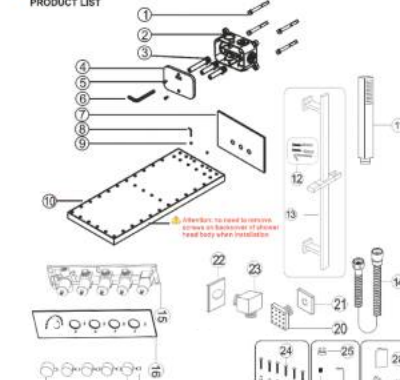
**AB910XX3W12  
PRODUCT LIST**



No.	Part name	Qty	No.	Part name	Qty
1	Shower head	1	13	Water diverter rod	3
2	Shower head Hose	2	14	Water diverter	3
3	Fixed rod	4	15	Handle	1
4	Flange plate	4	16	Body jet cup	3
5	Screw	4	17	Body jet	3
6	Set screw	12	18	Main body gasket parts	6
7	Shower hand	1	19	Handle cap	1
8	Lifting rod	1	20	Screw	1
9	Lifting rod parts	2	21	Wrench	1
10	Shower hose	1	22	Instruction manual	1
11	Main body	1	23	Gloves	2
12	Panel	1			

-3-

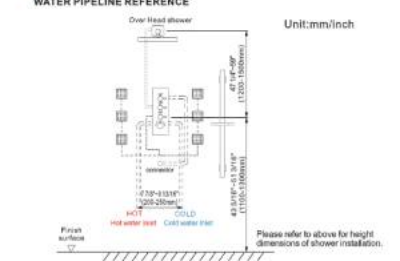
**AB9622Q4 / AB9622X4  
PRODUCT LIST**



No.	Part name	Qty	No.	Part name	Qty
1	Expansion screws	1	11	Shower hand	1
2	Inwall inlet	2	12	Lifting rod parts	2
3	Water inlet	1	13	Lifting rod parts	2
4	Cover	8	14	Shower hose	1
5	Screw	1	15	Main body	1
6	SB Allen key	1	16	Panel	1
7	Flange	1	17	Water diverter rod	4
8	Allen key 2.5	1	18	Water diverter	4
9	M4 screw	2	19	Handle	1
10	Shower head body	1	20	Body jet	6

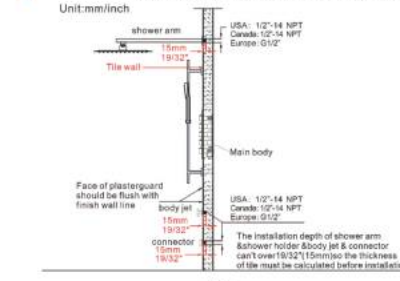
-4-

**AB910XX3W12  
INSTALLATION SHOWER SET SIZE & WATER PIPE LINE REFERENCE**



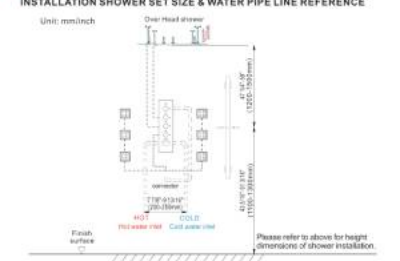
Unit:mm/inch

**ACCOUNT FOR EMBED PIPE AND INSTALLATION DEPTH**



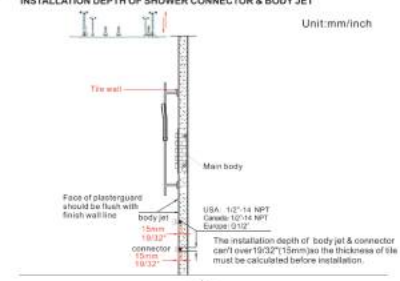
Unit:mm/inch

**AB910XX3W12  
INSTALLATION SHOWER SET SIZE & WATER PIPE LINE REFERENCE**



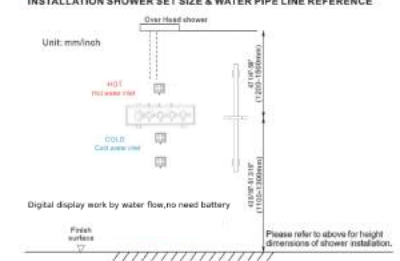
Unit:mm/inch

**INSTALLATION DEPTH OF SHOWER CONNECTOR & BODY JET**



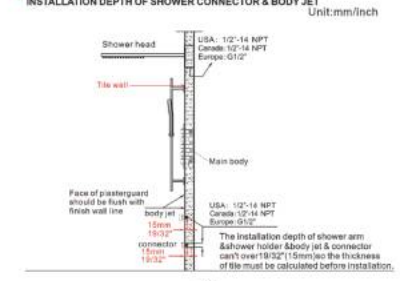
Unit:mm/inch

**AB9622Q4 / AB9622X4  
INSTALLATION SHOWER SET SIZE & WATER PIPE LINE REFERENCE**



Unit:mm/inch

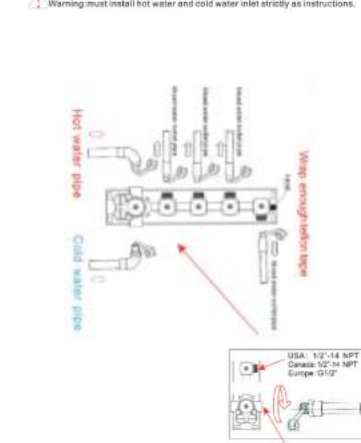
**INSTALLATION DEPTH OF SHOWER CONNECTOR & BODY JET**



Unit:mm/inch

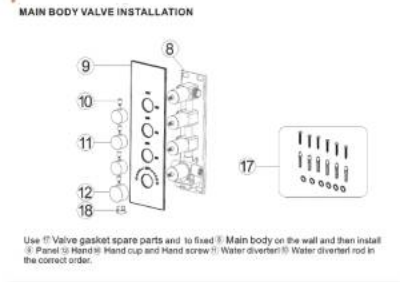
**AB9622Q4 / AB9622X4  
MAIN BODY CONNECTING PIPE SCHEMATIC DIAGRAM**

Warning must install hot water and cold water inlet strictly as instructions.

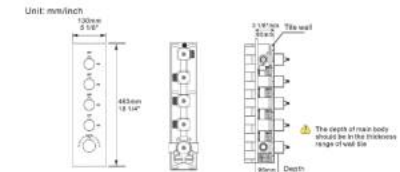


-8-

**AB910XX3W12  
MAIN BODY VALVE INSTALLATION**



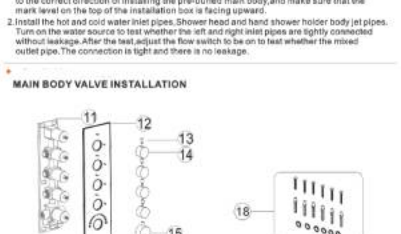
**INSTALLATION DEPTH OF MAIN BODY**



1. Including the thickness of ceramic tile is less than or equal to the thickness of valve 3.34"(85mm), so the thickness of the must be calculated before installation.
2. Installation Main body depth not less than 3.18"(80mm) and not more than 3.24"(82mm) Max. Otherwise, the panel cannot be installed.
3. The hole size of the main body after filing is smaller than the size of the panel.

-9-

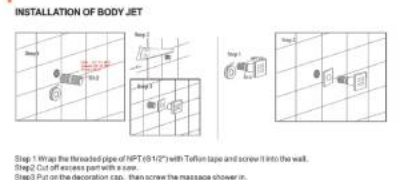
**AB910XX3W12  
MAIN BODY VALVE INSTALLATION**



1. As shown in the figure, the inlet and outlet pipes are pre-buried, pay attention to the correct direction of installing the pre-buried main body, and make sure that the mark level on the top of the installation box is facing upward.
2. Install the hot and cold water inlet pipes, shower head and hand shower holder/body jet pipes. Turn on the water source to test whether the left and right inlet pipes are tightly connected without leakage. After the test adjust the flow switch to be on to test whether the mixed outlet pipe. The connection is tight and there is no leakage.

-10-

**AB910XX3W12  
INSTALLATION OF BODY JET**



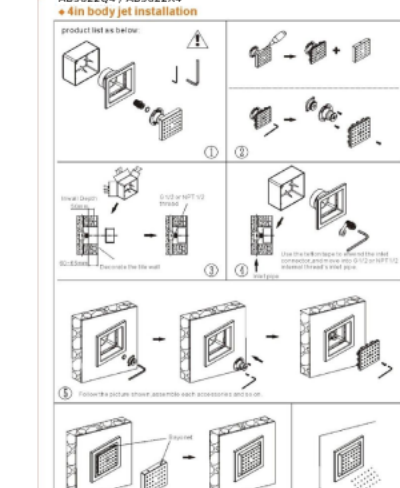
**MODEL 6664 & 6664-B  
INSTALLATION OF RAIN SHOWER HEAD & SHOWER ARM**



1. Connect top outlet ① to shower arm ② with proper fittings. To prevent damage, to finish on shower arm, insert wall end of shower arm into shower flange ③ before screwing arm into riser connection. Thread showerhead ④ onto shower arm. Apply tape to pipe threads on both ends. Do not overtighten showerhead. The showerhead is 360° swivel connection.
2. Connect top outlet ① to shower arm ② with proper fittings. To prevent damage, to finish on shower arm, insert wall end of shower arm into shower flange ③ before screwing arm into riser connection. Thread showerhead ④ into shower arm. Apply tape to pipe threads on both ends. Do not overtighten showerhead. The showerhead is 360° swivel connection.

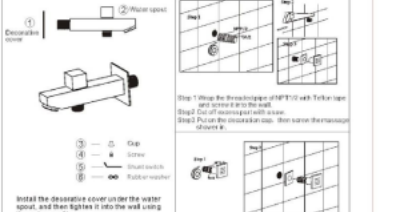
-11-

**AB9622Q4 / AB9622X4  
4-in body jet installation**

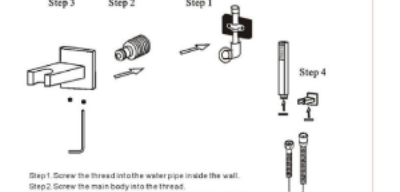


-12-

**Water spout installation**

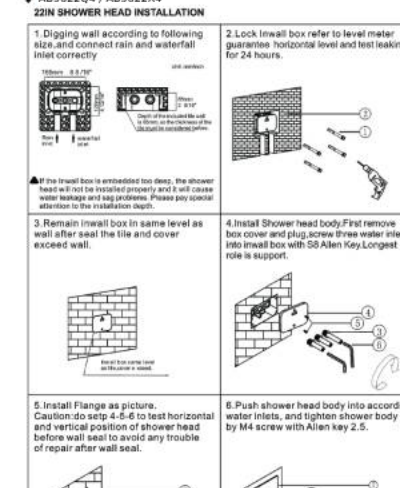


**Body jet installation**



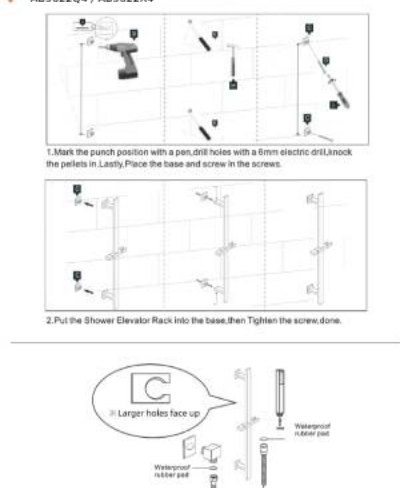
-13-

**AB9622Q4 / AB9622X4  
22IN SHOWER HEAD INSTALLATION**



-14-

**AB9622Q4 / AB9622X4**



-15-

**CARE AND MAINTENANCE**

- In order to keep the mixer surface bright, please clean the mixer regularly.
- Rinse faucet with clean water and wipe with soft cotton cloth.
- Avoid using cleaning powder, harsh cleaning chemicals, brushes and cloth with coarse surface to prevent scratching and corrosion.
- Do not use acid cleaner to clean the faucet as it may cause surface corrosion of the faucet. If the faucet comes into contact with harmful acid substances, please rinse it with water immediately.

**IF A LARGE-SCALE CLEAN-UP IS NECESSARY, FOLLOW THESE PROCEDURES**

1. Use clean water and soft cloth to remove dirt on the surface as much as possible.
2. Use one of the following cleaners to remove dirt on the surface:
  - Mild liquid cleaner.
  - Colorless glass cleaner, powder cleaner which does not have abrasive function and can be dissolved completely.
  - Polish liquid which does not abrasive function.
3. After cleaning, remove the cleansing agent with clean water completely and wipe with soft cotton cloth.

-16-