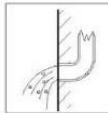


Installation Condition

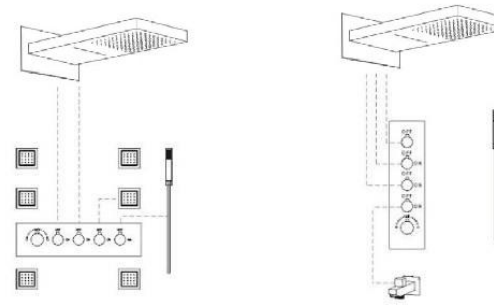


1. Refer to the 《Standard Part List》 when unpacking , check all parts available .
2. Do not disassemble mixer body by yourself.
3. Connect inlet hoses to supply valves.
4. Make sure inlet pipes and supply valves have been installed and cleaned, also ensure no impurities in pipeline.
5. After installation , check all joints for leakages.
6. Suggest don't fit the faucet in the severely corrosive environments.



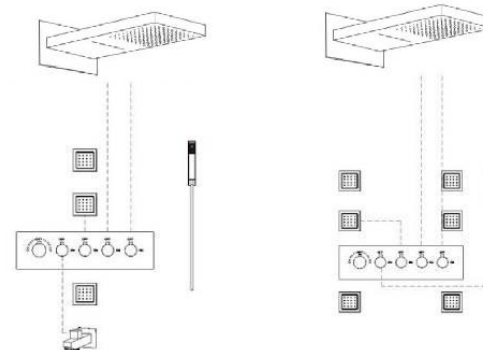
◆ Thermostatic control valve installation solution

Chrome/Black/Gold/Brushed Gold/Nickel Brush



Model: A

Model: B



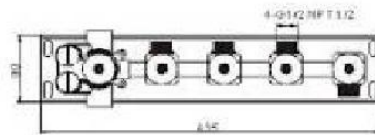
Model: C

Model: D

Showerhead installation diagrammatic drawing, you can also change the position of the water pipes connection according to your preferences. You only need to adjust the corresponding handles.

◆ Thermostatic valve installation

Hot water pipe



Cold water pipe

(1) digital thermostatic valve Q3 or Q4

hot and cold water pipelines: 1/2 inch
all other water pipelines: 1/2 inch

(2) high water flow thermostatic valve H4 or H6

hot and cold water pipelines: 3/4 inch
all other water pipelines: 1/2 inch

Vertical rough in valve : left side connect hot water pipe and right side connect cold water pipe

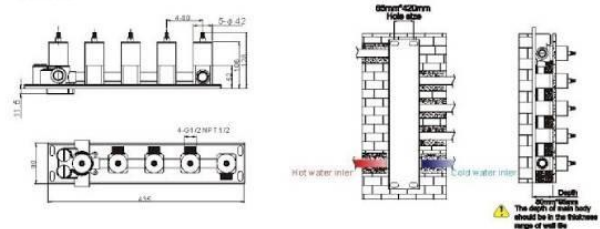
Horizontal rough in valve: up side connect hot water pipe and down side connect cold water pipe

Correct or right depth for rough in valve can make sure face plate can be assembled together with rough in valve, otherwise the face plate can not be assembled together with valve body.

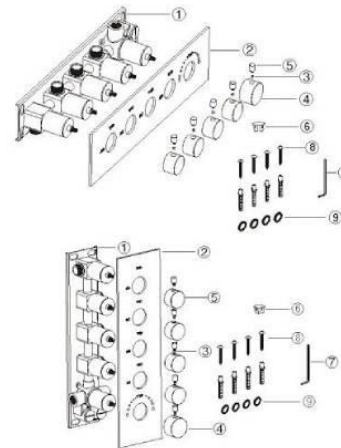
All female elbow threads flush on tile wall

◆ Thermostatic valve installation

Unit:mm



According to the basic size of the embedded box, use a special tool to drill the main hole on the solid wall. As shown in the figure, consideration should be given to the depth of the wall and the bottom base after final treatment. Take out the the spirit level to install the embedded box and test whether the installation is parallel.

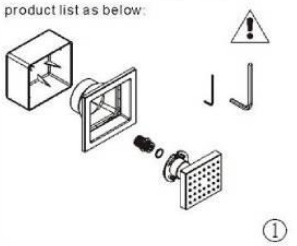


NO	Name	Qty
1	Embedded valve box	1
2	Panel	1
3	Handle screw	1
4	Handle	5
5	Handle nail	5
6	Handle cup	1
7	Shunt switch	1
8	Valve box screw	4
9	Metal gaske	4

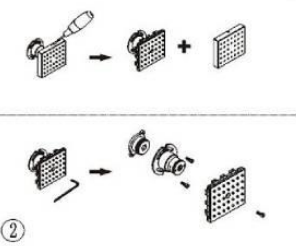
Use ⑧ Valve box screw and ⑨ Metal gaske to fixed ① Embedded valve box on the wall and then install ② Panel ③ Hand ④ Hand screw ⑤ Hand nail ⑥ Cup by turns.

◆ 4in body jet installation

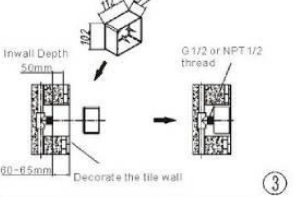
product list as below:



①

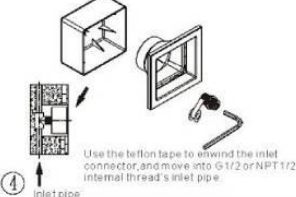


②

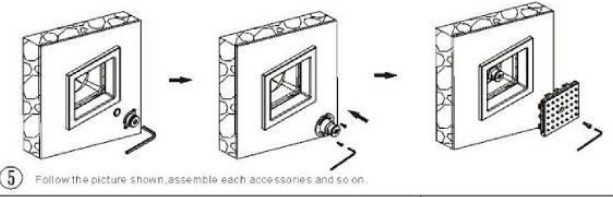


Inwall Depth 50mm
G 1/2 or NPT 1/2 thread
Decorate the tile wall

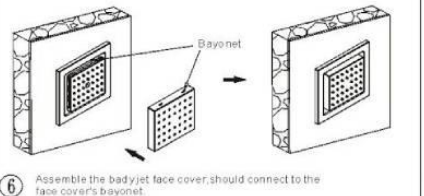
③



④ Inlet pipe
Use the teflon tape to wind the inlet connector, and move into G 1/2 or NPT 1/2 internal thread's inlet pipe.

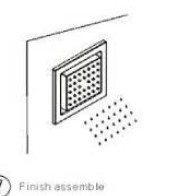


⑤ Follow the picture shown, assemble each accessories and so on.



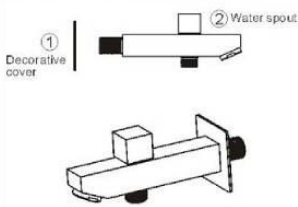
Bayonet

⑥ Assemble the body jet face cover, should connect to the face cover's bayonet.

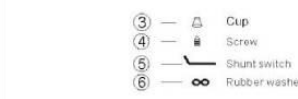


⑦ Finish assemble

◆ Water spout installation



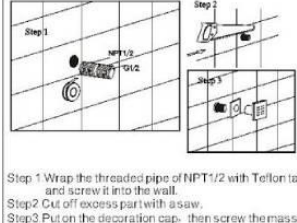
① Decorative cover
② Water spout



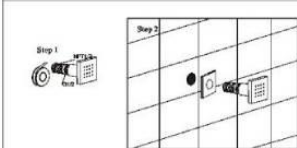
③ Cup
④ Screw
⑤ Shunt switch
⑥ Rubber washer

Install the decorative cover under the water spout, and then tighten it into the wall using the waterproof tape.

◆ Body jet installation

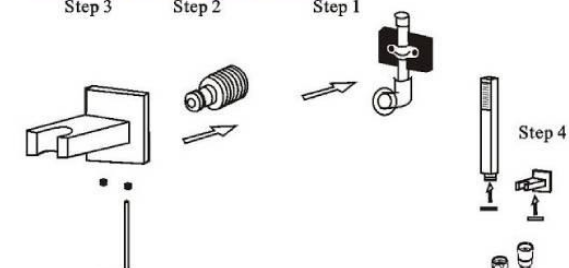


Step 1 Wrap the threaded pipe of NPT 1/2 with Teflon tape and screw it into the wall.
Step 2 Cut off excess part with a saw.
Step 3 Put on the decoration cap, then screw the massage shower in.



Step 1
Step 2

◆ Install the hand shower holder

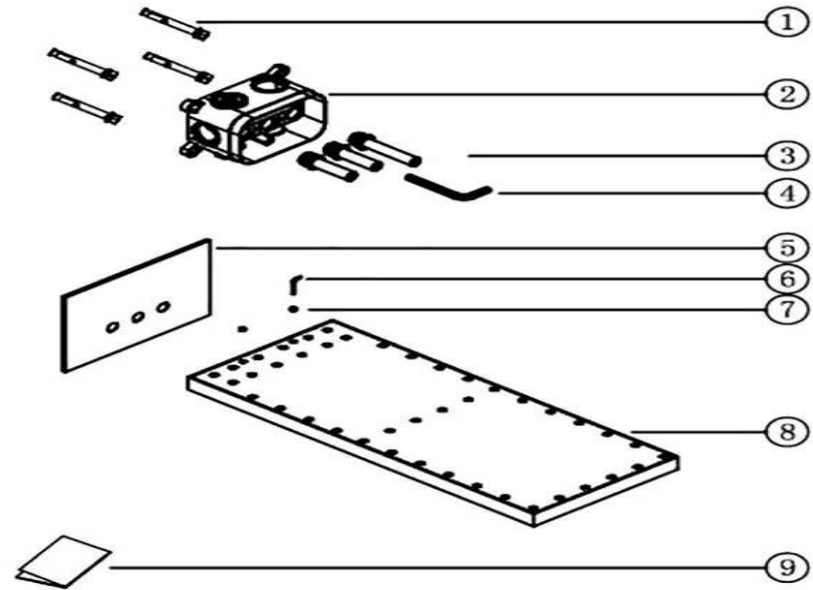


Step 3
Step 2
Step 1
Step 4

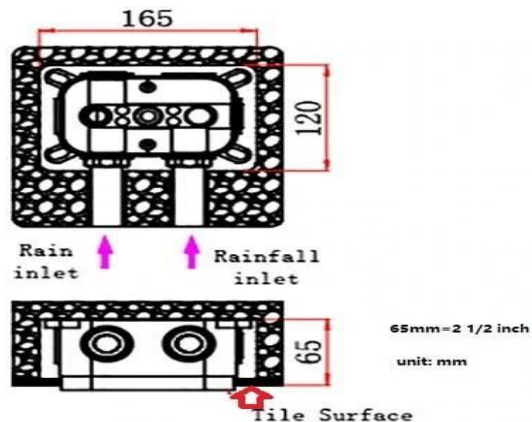
Step 1. Screw the thread into the water pipe inside the wall.
Step 2. Screw the main body into the thread.
Step 3. Rotate and fix the body with the special-shaped wrench.
Step 4. Connect hand shower and the hose.

Parts list

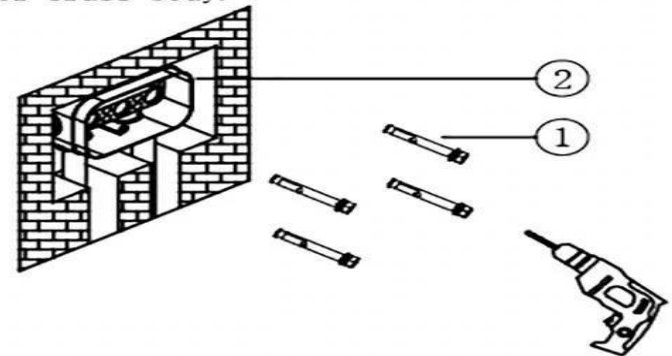
No.	Name	QTY
1	Expansion screws	4
2	Inwall box	1
3	Water inlet	3
4	S8 Allen Key	1
5	Flange	1
6	Allen Key 2.5	1
7	M4 screw	2
8	Shower head body	1
9	Installation Instruction	1



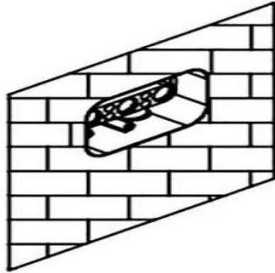
1. Digging wall according to following size, and connect rain and rainfall inlet correctly.



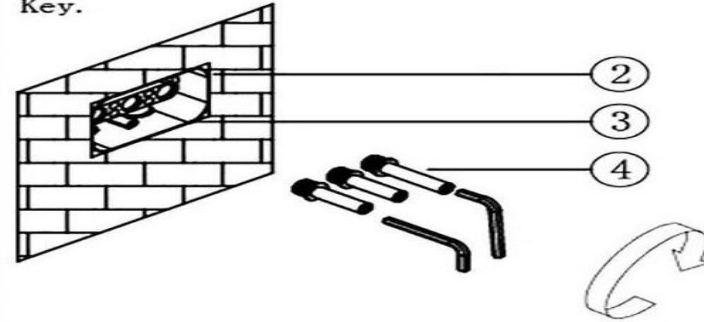
2. Lock Inwall box by four expansion screws while gurantee horizontal level. Do not remove the cover inside inwall box when seal wall by cement to prevent cement stick to screws of brass body.



3. Remain inwall box in same level as wall after seal the tile.

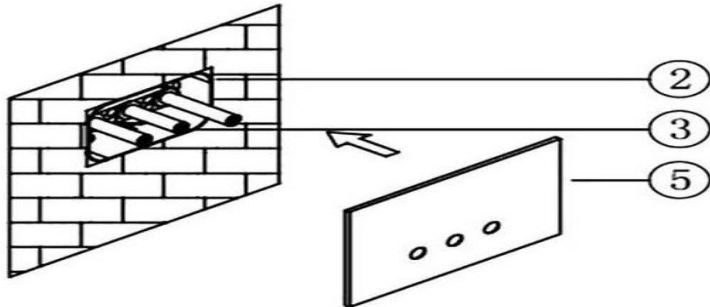


4. Install shower head body. First, remove the cover inside inwall box, screw three water inlets into inwall box with SS Allen Key.

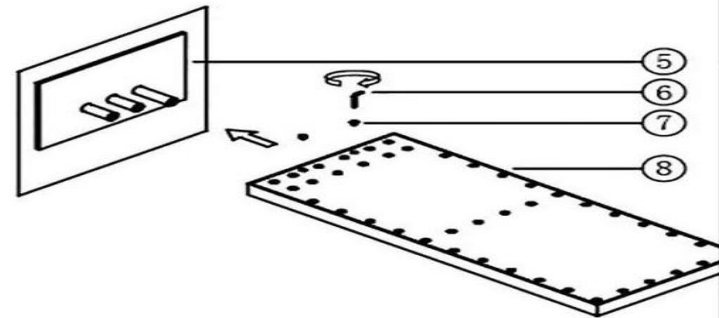


5. Install flange as picture.

Caution: do setp 4-5-6 to test horizontal and vertical position of shower head before wall seal to avoid any trouble of repair after wall seal.

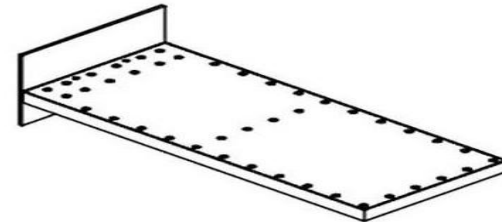
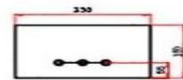
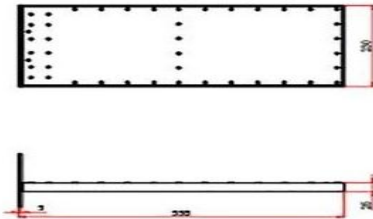


6. Push shower head body into according water inlets, and tighten shower body by M4 screw with Allen Key 2.5.

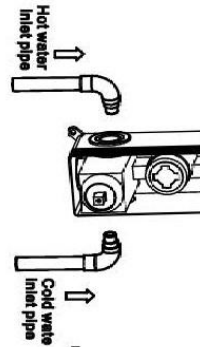


Installation Finish.

Attention: no need to remove screws on backcover of shower head body when installation.



◇ Digital display main body installation instruction



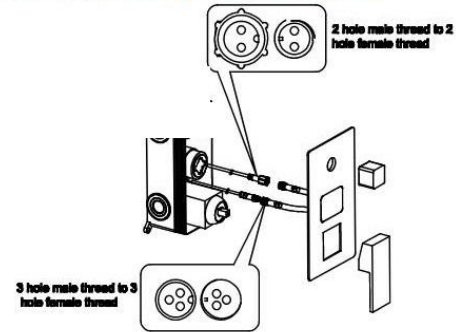
horizontal rough in valve

the digital display work by water flow, no need battery

be sure water pipeline is clean

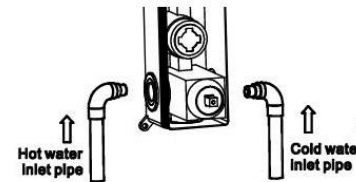
be sure the correct installation depth 3 1/2 ~ 3 3/4 inch

◇ Digital display main body installation instruction



Carefully take out panel 8 from body ① and unplug the display cable. Don't scratch the panel and place it carefully.

As shown in the figure, ① the embedded box; ② on the wall with ③ screws, hole size (250mm*120mm),Depth (80mm*90mm), and then connect the two wires of the digital display. Attention:2 hole male thread to 2 hole female thread, 3 hole male thread to 3 hole female thread, the direction should be correct, otherwise it will cause motor damage and do not display, and then install panel 8. Next install the ④ shunting valve, tighten it with ⑤ screws, and install ⑥ water distribution caps. Finally, install the ⑦ handle, tighten it with ⑧ screws, and install ⑨ water diverter cover.



As shown in the figure, the inlet and outlet pipes are embedded. Pay attention to the correct installation direction of the embedded box. Be sure to mark the top of the bottle upward and the vertical direction of the embedded box. The lower left connector is connected to the hot water pipe, the upper left connector is connected to the top nozzle, and the upper right connector is connected to the hand pipe.

Attention! Do not disassemble the product without professional guidance. Pictures are for reference only. All spare parts are subject to the actual product. When the water pressure is lower than 2bar and greater than 6bar, the digital display may not work.

The orange or gray box with valve for 22 inch shower head:

Don't install the orange box in the tile wall too deeply and pls refer to our installation video

The sliding bar installation step refer to our installation video