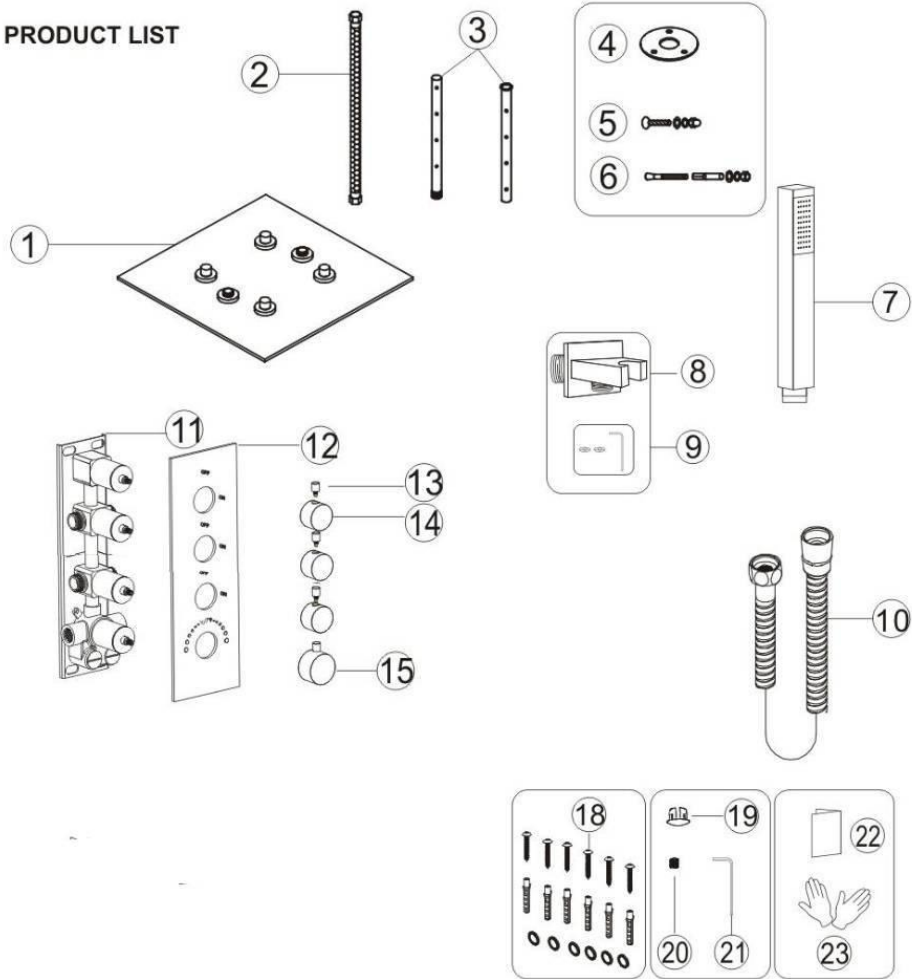


# THERMOSTATIC SHOWER Series INSTALLATION GUIDE

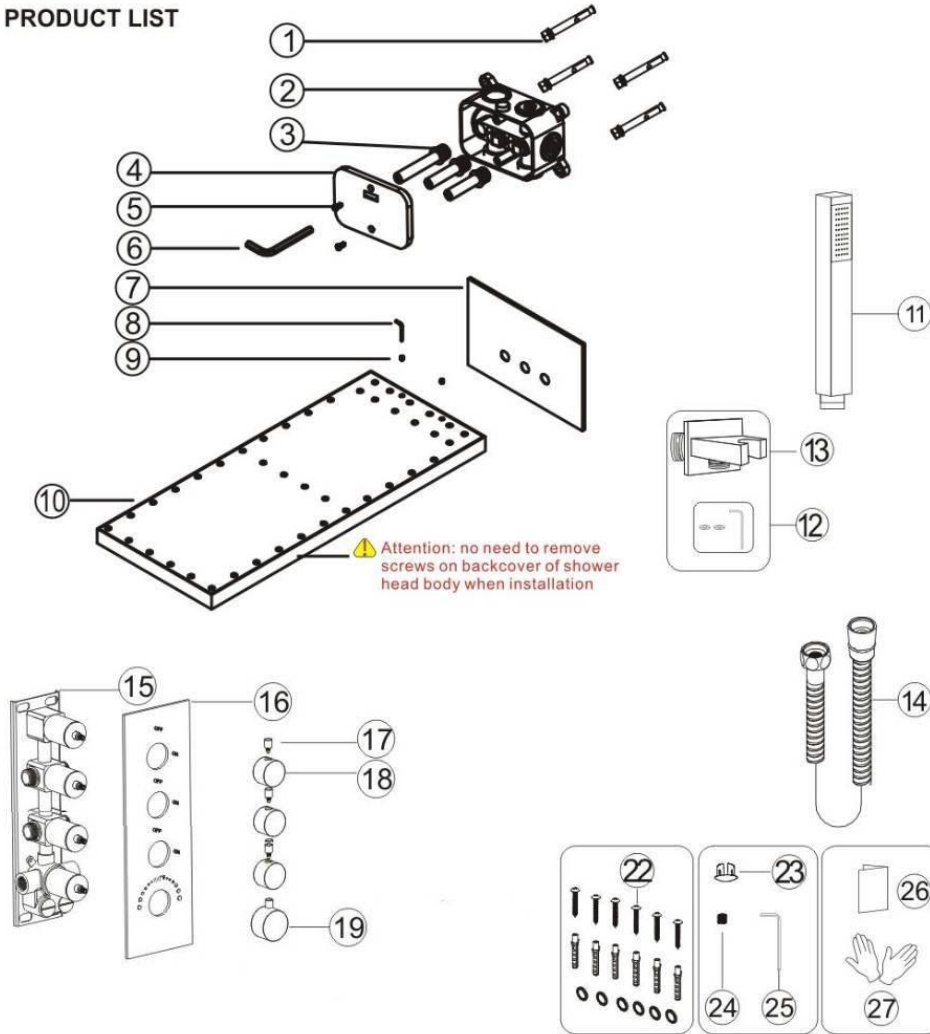


**PRODUCT LIST**



| No. | Part name          | Qty | No. | Part name              | Qty |
|-----|--------------------|-----|-----|------------------------|-----|
| 1   | Shower head        | 1   | 14  | Water diverter         | 4   |
| 2   | Shower head Hose   | 2   | 15  | Handle                 | 1   |
| 3   | Fixed rod          | 4   | 16  |                        | -   |
| 4   | Flange plate       | 4   | 17  |                        |     |
| 5   | Screw              | 4   | 18  | Main body gasket parts | 6   |
| 6   | Set screw          | 12  | 19  | Handle cap             | 1   |
| 7   | Shower hand        | 1   | 20  | Screw                  | 1   |
| 8   | Hand shower holder | 1   | 21  | Wrench                 | 1   |
| 9   | Holder parts       | 1   | 22  | Instruction manual     | 1   |
| 10  | Shower hose        | 1   | 23  | Gloves                 | 2   |
| 11  | Main body          | 1   |     |                        |     |
| 12  | Panel              | 1   |     |                        |     |
| 13  | Water diverter rod | 4   |     |                        |     |

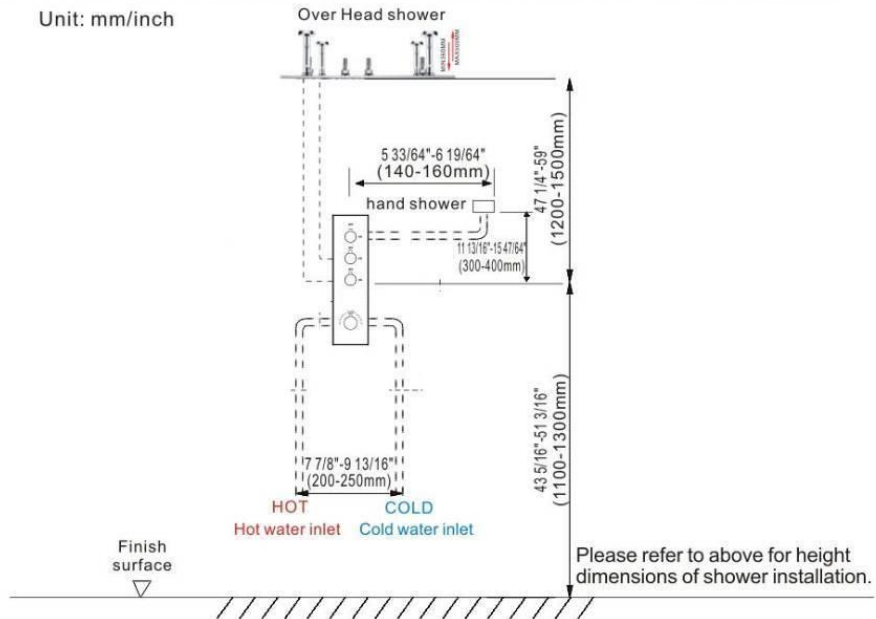
◆ MODEL:AB9622X4 SERIES  
PRODUCT LIST



| No. | Part name        | Qty | No. | Part name          | Qty | No. | Part name              | Qty |
|-----|------------------|-----|-----|--------------------|-----|-----|------------------------|-----|
| 1   | Expansion screws | 4   | 11  | Shower hand        | 1   | 21  |                        |     |
| 2   | Inwall box       | 1   | 12  | Holder parts       | 1   | 22  | Main body gasket parts | 6   |
| 3   | Water inlet      | 3   | 13  | Hand shower holder | 1   | 23  | Handle cap             | 1   |
| 4   | Cover            | 1   | 14  | Shower hose        | 1   | 24  | Handle screw           | 1   |
| 5   | Screw            | 2   | 15  | Main body          | 1   | 25  | Handle Wrench          | 1   |
| 6   | S8 Allen key     | 1   | 16  | Panel              | 1   | 26  | Instruction manual     | 1   |
| 7   | Flange           | 1   | 17  | Water diverter rod | 4   | 27  | Gloves                 | 2   |
| 8   | Allen key 2.5    | 1   | 18  | Water diverter     | 4   |     |                        |     |
| 9   | M4 screw         | 2   | 19  | Handle             | 1   |     |                        |     |
| 10  | Shower head body | 1   | 20  |                    |     |     |                        |     |

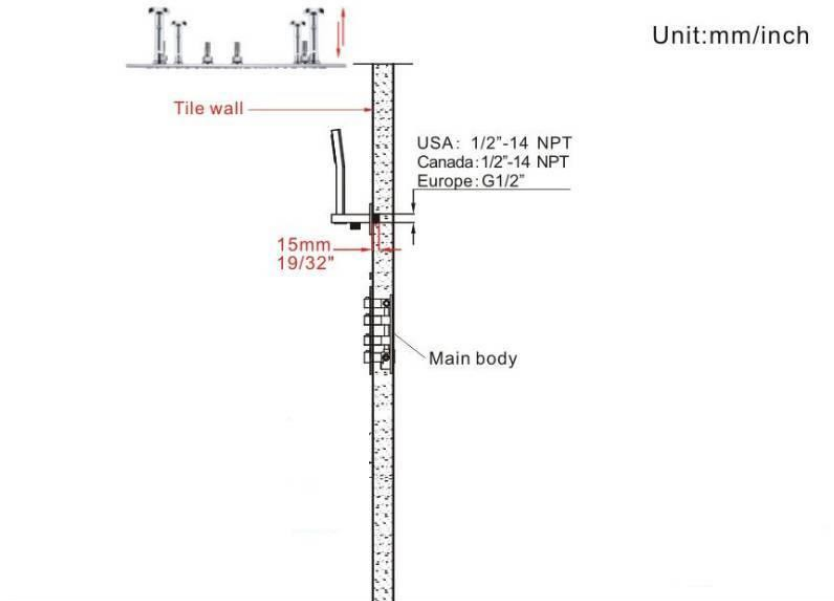
## INSTALLATION SHOWER SET SIZE & WATER PIPE LINE REFERENCE

Unit: mm/inch

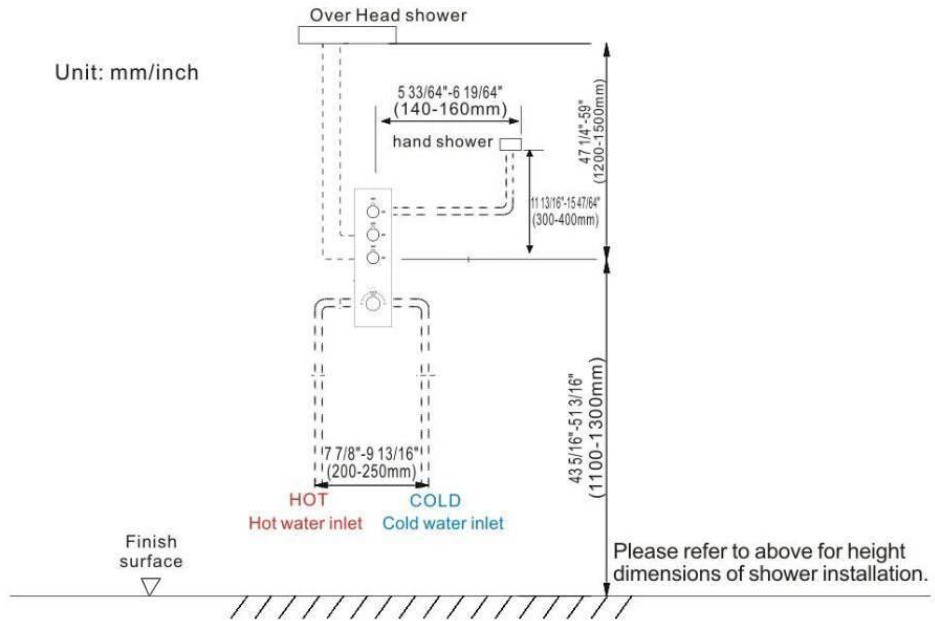


## INSTALLATION DEPTH OF SHOWER HOLDER & BODY JET

Unit: mm/inch

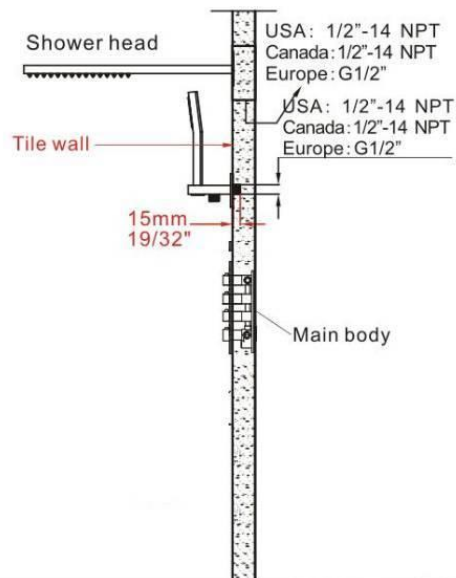


## INSTALLATION SHOWER SET SIZE & WATER PIPE LINE REFERENCE



## INSTALLATION DEPTH OF SHOWER HOLDER & BODY JET

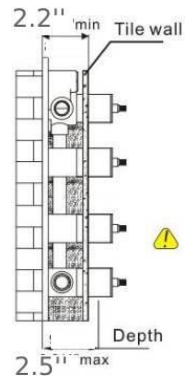
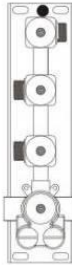
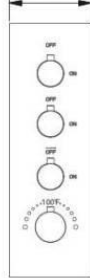
Unit: mm/inch



◆ **MODEL:A9103H4C20 & AB9622X4 SERIES**  
**INSTALLATION DEPTH OF MAIN BODY**

Unit: mm/inch

130mm  
5 1/8"

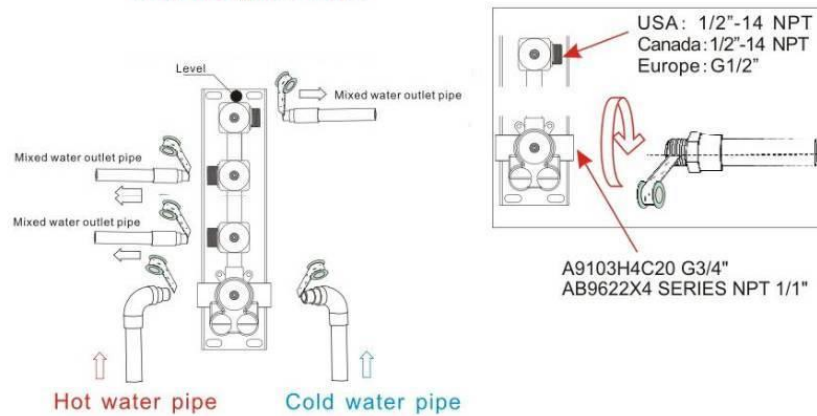


Notice: The thickness of tile must be calculated before installation. The installation depth of main body should be no less than 2.2" min and no more than 2.5" max, including the thickness of ceramic tile. Otherwise, the panel cannot be installed.

## MAIN BODY CONNECTING PIPE SCHEMATIC DIAGRAM

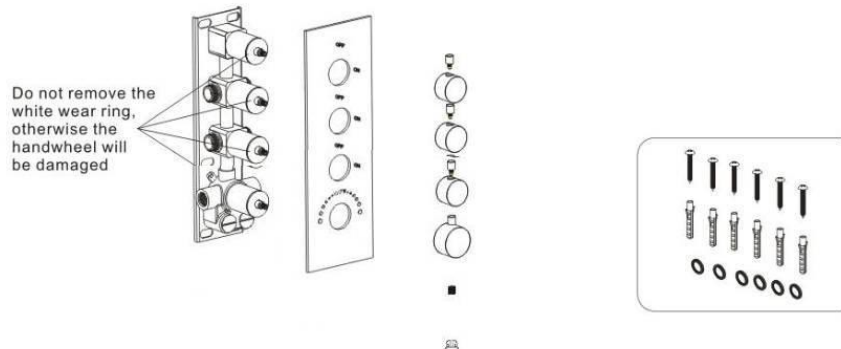
 Warning: must install hot water and cold water inlet strictly as instructions.

Wrap enough teflon tape



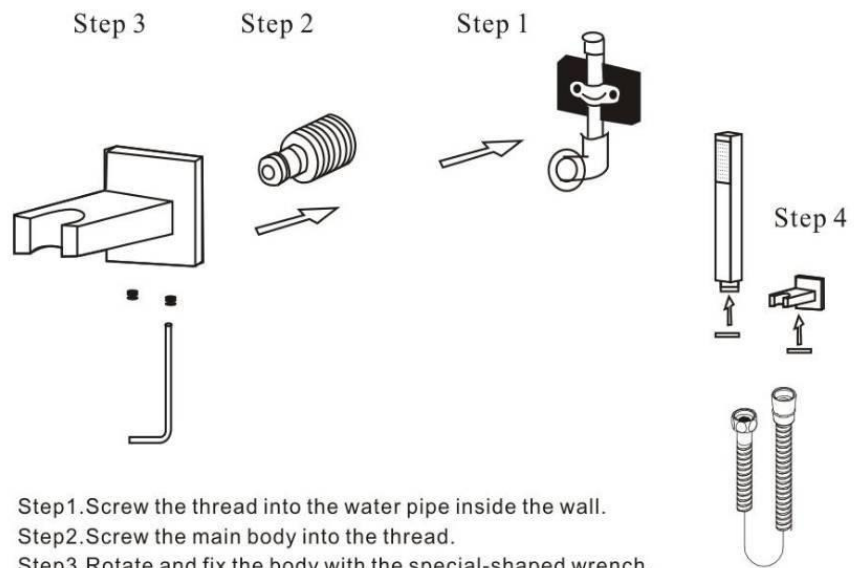
1. As shown in the figure, the inlet and outlet pipes are pre-buried. Please pay attention to the correct direction of installing the pre-buried main body, and make sure that the mark level on the top of the installation box is facing upward.
2. Install the hot and cold water inlet pipes and three mixed water outlet pipes connected to shower head, hand shower holder and body jet pipes separately.
3. Before tiling, turn on the water to test whether the left and right inlet pipes are tightly connected without leakage. Then, adjust the flow switch to be on to check the mixed outlet pipes for leakges.

## MAIN BODY VALVE INSTALLATION



Use body box fittings to fix main body on the wall and then install panel, water diverters, water diverter rods and handle step by step.

### Install the hand shower holder



- Step1.Screw the thread into the water pipe inside the wall.  
Step2.Screw the main body into the thread.  
Step3.Rotate and fix the body with the special-shaped wrench.  
Step4.Connect hand shower and the hose.



◆ MODEL:A9103H4C20

**SHOWER HEAD INSTALLATION**

**1**

① Showerhead X 1  
② Hose X 2  
③ Fixed rod X 4  
④ Flange plate X 4  
⑤ Screw X 4  
⑥ Setscrew X 12

**2**

Mixed water  
1 1/16" 284mm  
1 3/16" 284mm  
X12

Mark the installation position of the showerhead.

**3**

Mixed water  
1 1/16" 284mm  
1 3/16" 284mm  
φ8mm

Position drilling.

**4**

X 4

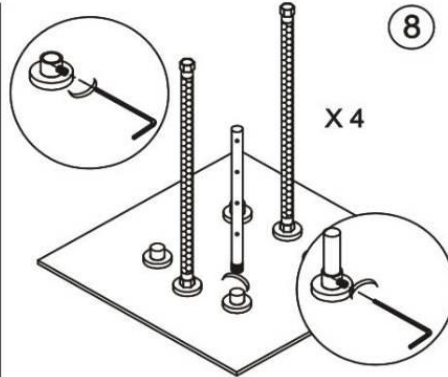
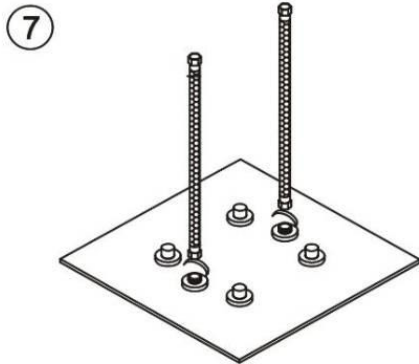
Sleeve the ④ flange plate into the ③ Fixed rod..

**5**

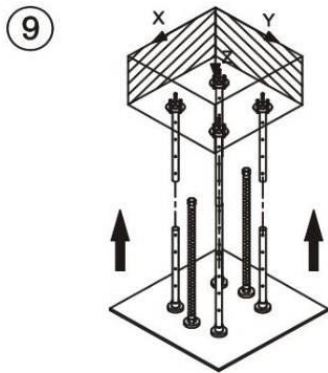
Hammer into the setting screw.

**6**

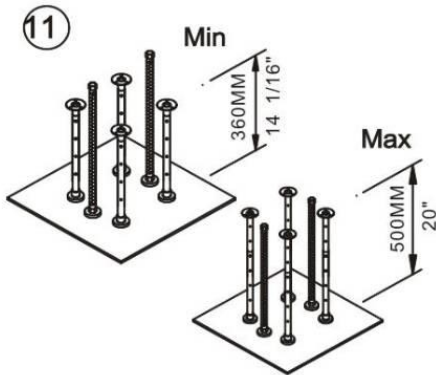
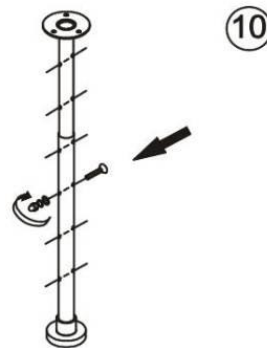
Fix the showerarm as above figure.



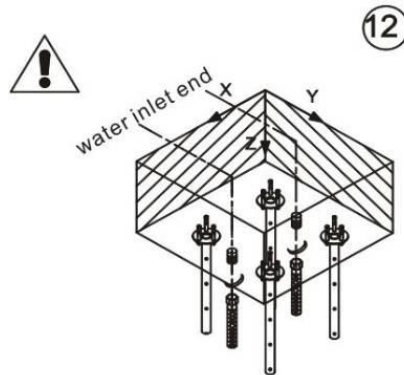
Connect the ②Hose inlet water pipe.



Install the showerhead according to the left figure, fix the showerarm with screw according to the right figure.



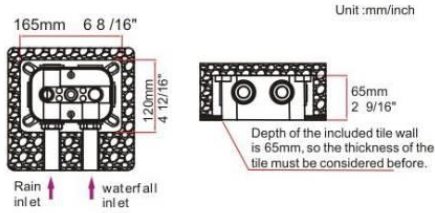
Adjust the showerhead height (refer to Figure ⑩after confirming the height).



The water inlet end of two-function showerhead is connected with the control valve.

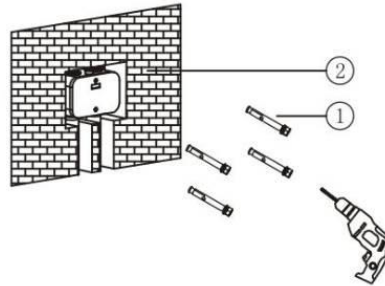
◆ **MODEL:AB9622X4 SERIES**  
**22IN SHOWER HEAD INSTALLATION**

1. Digging wall according to following size, and connect rain and waterfall inlet correctly

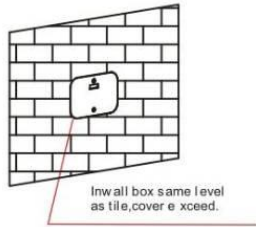


⚠ If the Inwall box is embedded too deep, the shower head will not be installed properly and it will cause water leakage and sag problems. Please pay special attention to the installation depth.

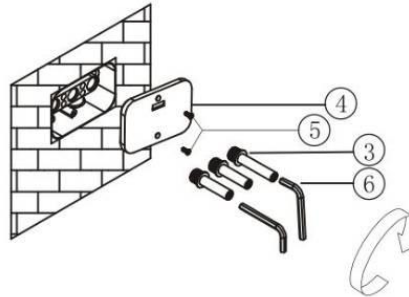
2. Lock Inwall box refer to level meter guarantee horizontal level and test leaking for 24 hours.



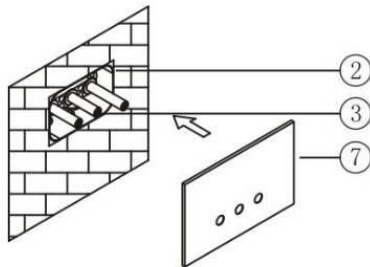
3. Remain inwall box in same level as wall after seal the tile and cover exceed wall.



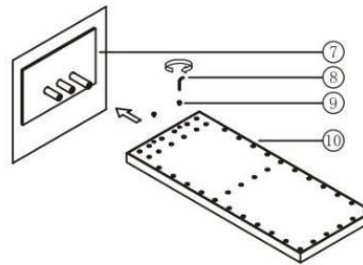
4. Install Shower head body. First remove box cover and plug, screw three water inlets into inwall box with S8 Allen Key. Longest role is support.



5. Install Flange as picture. Caution: do setp 4-5-6 to test horizontal and vertical position of shower head before wall seal to avoid any trouble of repair after wall seal.



6. Push shower head body into according water inlets, and tighten shower body by M4 screw with Allen key 2.5.



◆ **CARE AND MAINTENANCE**

In order to keep the mixer surface bright , please clean the mixer regularly.

Rinse faucet with clean water and wipe with soft cotton cloth.

Avoid using cleaning powder , harsh cleaning chemicals, brushes, and cloth with coarse surface to prevent scratching and corrosion.

Do not use acid cleaner to clean the faucet as it may cause surface corrosion of the faucet. If the faucet comes into contact with harmful acid substances, please rinse it with water immediately.



---

◆ **IF A LARGE-SCALE CLEAN-UP IS NECESSARY, FOLLOW THESE PROCEDURES**

1: Use clean water and soft cloth to remove dirt on the surface as much as possible.

2: Use one of the following cleaners to remove dirt on the surface

Mild liquid cleaner.

Colorless glass cleaner, powder cleaner which does not have abrasive function and can be dissolved completely.

Polish liquid which does not have abrasive function.

3: After cleaning, remove the cleansing agent with clean water completely and wipe with soft cotton cloth.