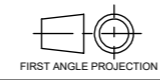


Suzuki Clutch Slave



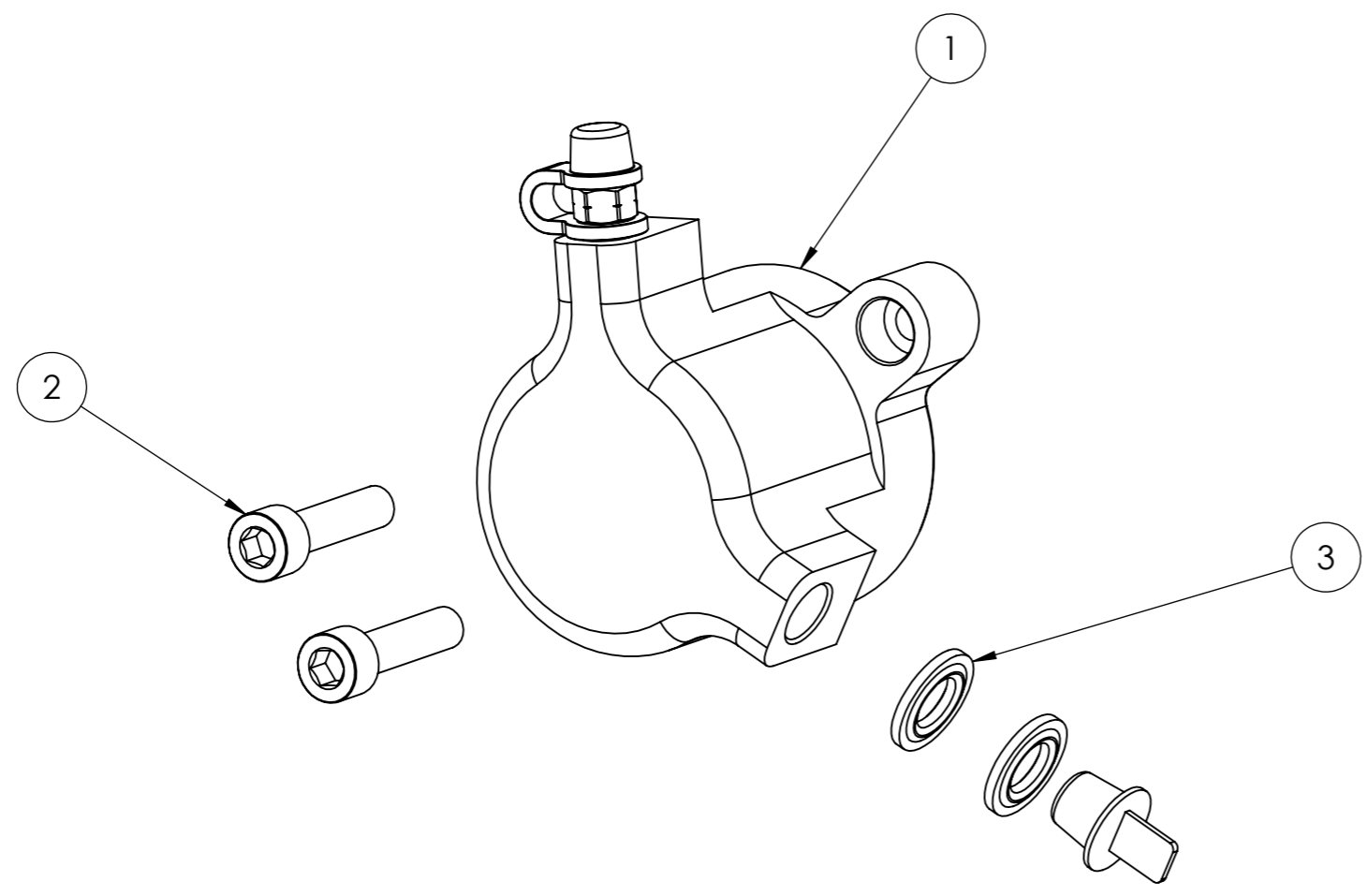
IF IN DOUBT ASK

PROPRIETARY AND CONFIDENTIAL
 THE INFORMATION CONTAINED IN THIS DRAWING IS THE SOLE PROPERTY OF OBERON PERFORMANCE LIMITED.
 ANY REPRODUCTION IN PART OR AS A WHOLE WITHOUT THE WRITTEN PERMISSION OF OBERON PERFORMANCE LIMITED
 IS PROHIBITED.



11 Havant Business Centre Tel: +44 02392 481 188
 Harts Farm Way Fax: +44 02392 492 458
 Havant admin@oberon-performance.co.uk
 Hampshire Web: oberon-performance.co.uk
 PO91 HU
 UK © Oberon Performance Limited

Item No	Description	QTY
1	Fully Assembled Clutch Slave Unit	1
2	M6 x 20 Fastener	2
3	M10 Dowty Seal	3



REVISIONS		
REV	DESCRIPTION	DATE

DO NOT SCALE DRAWING		REVISION	
	NAME	SIGNATURE	DATE
DRAWN			
CHK'D			
APPV'D			
MFG			
Q.A			

UNLESS OTHERWISE SPECIFIED:
 DIMENSIONS ARE IN MILLIMETERS
 TOLERANCES:
 LINEAR: +/- 0.10
 ANGULAR: +/- 0.5°

DEBURR AND
 BREAK SHARP
 EDGES

FINISH:

WEIGHT:

MATERIAL:

Suzuki Clutch Slave

DWG NO.
whats_in_the_box_CLU-9000