

Mini-Plate Centrifuge

Instruction manual

Catalog No. AB-PC



www.majorsci.com
service@majorsci.com

Version 01A
Revised on: 2018/07/31

Packing List

AB-PC

- 1x AB-PC Mini-Plate Centrifuge
- 1x US Plug
- 1x Manual

Signed by:

Date:

Major Science is liable for all missing or damaged parts / accessories within 7 days after customer received this instrument package. Please contact Major Science immediately regarding this issue. If no response within such time period from consignee party, that will be consignee party's whole responsibility.

Table of Contents

PACKING LIST	2
WARNING	4
SECTION 1 INTRODUCTION	5
OVERVIEW.....	5
SECTION 2 TECHNICAL SPECIFICATION	6
SECTION 3 INSTALLATION INSTRUCTIONS	6
SECTION 4 OPERATION INSTRUCTIONS	7
SECTION 5 CLEANING	8
SECTION 6 ORDERING INFORMATION	8
SECTION 7 WARRANTY	9

Warning

Safety Precautions

NEVER use the centrifuge in any manner not specified in these instructions.

NEVER put hands in the rotor area unless the rotor is completely stopped.

NEVER move the centrifuge while the rotor is spinning.

NEVER use solvents or flammables near this or other electrical equipment.

NEVER centrifuge flammable, explosive or corrosive materials.

NEVER centrifuge hazardous materials outside of a hood or proper containment facility.

NEVER continue to operate a centrifuge that is vibrating excessively.

ALWAYS load the rotor symmetrically. Each plate should be counterbalanced by another plate of the same brand, type and volume.

ALWAYS use plates that have been sealed in some manner to avoid spillage.

ALWAYS load plates so that the sealed side faces the center of the rotor slot and the bottom of the plate faces out.

ALWAYS be sure the plates are pushed all the way to the bottom of the rotor slot before operating the centrifuge.

ALWAYS locate the centrifuge within easy access to an electrical outlet.

Section I Introduction

Overview

AB-PC is designed for quick spins of samples in PCR plates. Primarily designed for use with 96 or 384 well plates and small volumes, it will accommodate skirted, non skirted and semi skirted styles.



▲ Front view

Section 2 Technical Specification

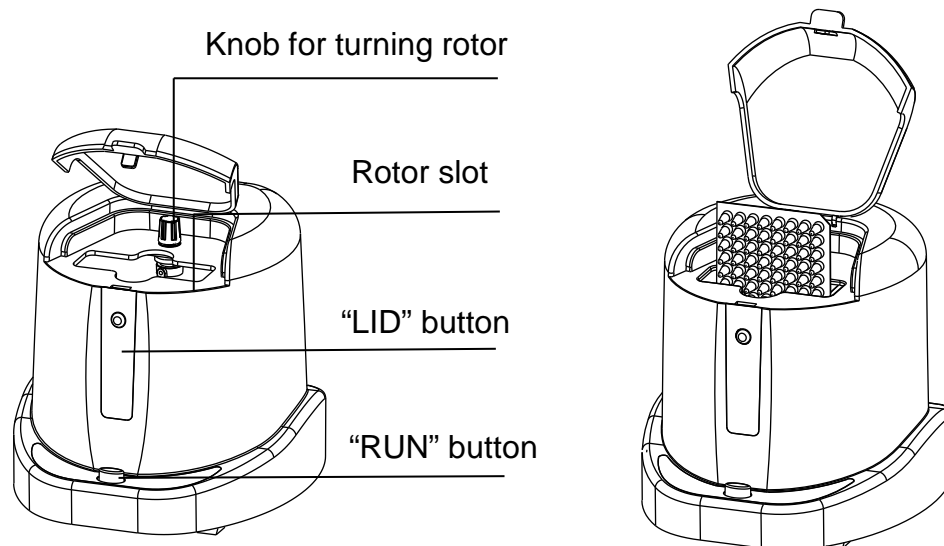
Model	AB-PC
Capacity	2 PCR plates
Dimensions	220X190X186mm
Electrical	110V/220V, 50/60 HZ
Max Speed	2, 500 rpm
Max RCF	500 x g
Electrical	120V~50/60HZ, 0.6A (FUSE 1.0AT)
	230V~50/60HZ, 0.3A (FUSE 0.5AT)

Section 3 Installation Instructions

The AB-PC should be placed on a clean, flat surface with sufficient space around it for ventilation. Be sure that both the bench and the unit's rubber feet are clean. Plug the power cord into the back of the unit and the wall socket. Turn the power switch (on the back of the unit) to the "I" position.

Section 4 Operation Instructions

To avoid spillage of samples, only plates that have been heat or tape sealed should be placed in the centrifuge. Plates are loaded into the rotor in a vertical position. Lift the clear centrifuge cover to gain access to the rotor (press the “LID” button to release the lid if it is locked down). Using the knob on the top of the unit, turn the rotor until the rotor slot lines up with the opening. Carefully, slide the first plate into position so that the sealed side faces the center of the rotor and the bottom of the plate faces out. Be sure that the plate is pushed all the way down into the slot. Line up the second slot like the first, using the knob on the top of the unit. Load the second plate in the same manner as the first one, making sure that it is all the way down in the rotor slot. If spinning only one plate, it is extremely important to load a dummy plate of the same brand, style and sample volumes (water can be used) as a balance. To begin a run, close the lid of the centrifuge, then press and hold the “RUN” button. Holding the button for approximately 15 seconds is sufficient to spin samples to the bottoms of the wells. Once the rotor has stopped, press the “LID” button to release the lid lock and open the lid. To access the plates, turn the knob on the top of the unit until the rotor slot lines up with the opening.



Note:

A slight vibration may be felt when the centrifuge reaches full speed. Excessive vibration indicates that the rotor is not balanced. DO NOT run the centrifuge unbalanced. Always use a balance plate of the same brand, type and sample volumes.

Section 5 Cleaning

The outside housing of the centrifuge may be wiped down with a clean, soft cloth. The rotor slots may be cleaned with a sponge. Do not pour liquids in or over the centrifuge. Do not immerse the centrifuge in liquid.

Section 6 Ordering Information

Cat. No.	Description
AB-PC-110	AradyBio Plate Centrifuge, 2 x 96 well PCR plate capacity, with 110V power cord
AB-PC-220	AradyBio Plate Centrifuge, 2 x 96 well PCR plate capacity, with 220V power cord

Section 7 Warranty

The centrifuge and rotor are covered by a one-year warranty. This warranty covers the centrifuge and rotor. This warranty is void in the event of incorrect operation, use of nonstandard spare parts or accessories and unauthorized modification of the rotor or centrifuge. The rotor warranty does not cover normal wear and tear or damage and /or wakening caused by radioactive contamination, cleaning agents, or over tightening of the all en screw. Fuses are not covered by the warranty.

Distributed:

Major Science Co., Ltd.

Address:

No.19, Ln. 207, Huakang St.,
Bade Dist., Taoyuan City 33464
Taiwan(R.O.C.)

T/ 886-3-362-3319

F/ 886-3-362-3133

Contact Information

Address:

19959 Sea Gull Way
Saratoga, CA 95070
U.S.A

T/ 1-408-366-9866

F/ 1-408-446-1107