

Dreame Cordless V9 Vacuum Cleaner User Manual

Safety Instructions

To prevent accidents including electric shock or fire caused by improper use, please read this manual carefully before use and retain it for future reference.

Warning

This product can be used by children aged from 8 years and above and persons with physical, sensory, intellectual deficiencies, or limited experience or knowledge under the supervision of a parent or guardian to ensure safe operation and to avoid any risk of hazards. Cleaning and maintenance shall not be made by children without supervision.

The vacuum is not a toy. Children shall not play with or operate this product. Please exercise caution when using the vacuum near children. Do not allow children to clean or maintain the vacuum unless supervised by a parent or guardian.

Do not use the vacuum outdoors or on wet surfaces. Only use the vacuum on dry indoor surfaces. Do not touch the plug or any part of the vacuum with wet hands.

To reduce the risk of fire, explosion, or injury, check to make sure the lithium battery and charging adapter are undamaged before use. Do not use the vacuum if either the lithium battery or charger is damaged.

The soft roller brushbar, battery, metal connector pin, and vacuum are electrically conductive and should not be immersed in water or other liquid. Make sure to dry all filters after cleaning.

To prevent injury caused by moving parts, turn off the vacuum before cleaning the soft roller brushbar. The soft roller brushbar, dust compartment, and filter must all be properly installed before using the vacuum.

Only use the original charging adapter. Never use an unoriginal adapter, as this may cause the lithium battery to catch fire.

Do not use the vacuum to pick up flammable or combustible liquids, such as gasoline, or bleach, ammonia, drain cleaners or other liquids.

Do not use the vacuum to pick up drywall particles, ashes like fireplace ash, or smoking or burning materials such as coal, cigarette butts or matches.

Do not use the vacuum to pick up sharp or hard objects, such as glass, nails, screws, or coins, which may damage the machine.

Keep hair, loose clothing, fingers and other parts of the body away from the vacuum's openings and moving parts. Do not point the hose, wand or tools at your eyes or ears or put them in your mouth.

Do not put any object into the vacuum's openings. Do not use the vacuum with any opening blocked. Keep free of dust, lint, hair, or other items which may reduce airflow.

Do not rest the vacuum against a chair, table, or other unstable surface, as this may cause damage to the machine or personal injury. If the vacuum becomes damaged from being knocked over or is otherwise malfunctioning, please contact our authorized service department. Never attempt to disassemble the device on your own.

All instructions in the manual for recharging the battery must be strictly followed. Failure to properly charge the battery within the specified temperature range could damage the battery.

Only use accessories and replacement parts that are approved by Dreame.

Do not use the vacuum without the clear dust compartment and filter in place.

Make sure the vacuum is unplugged when not used for extended periods as well as prior to performing any maintenance or repairs.

Please be extra careful when using the vacuum to clean stairs.

Do not install, charge, or use this product outdoors, in bathrooms, or around a pool.

Fire Hazard Warning: Do not apply any type of fragrance to the vacuum's filter. These types of products are known to contain flammable chemicals which may cause the vacuum to catch fire.

This product is designed for home use only.

We Dreame Trading (Tianjin) Co., Ltd., hereby, declares that this equipment is in compliance with the applicable Directives and European Norms, and amendments. The full text of the EU declaration of conformity is available at the following internet address: www.dreame-technology.com

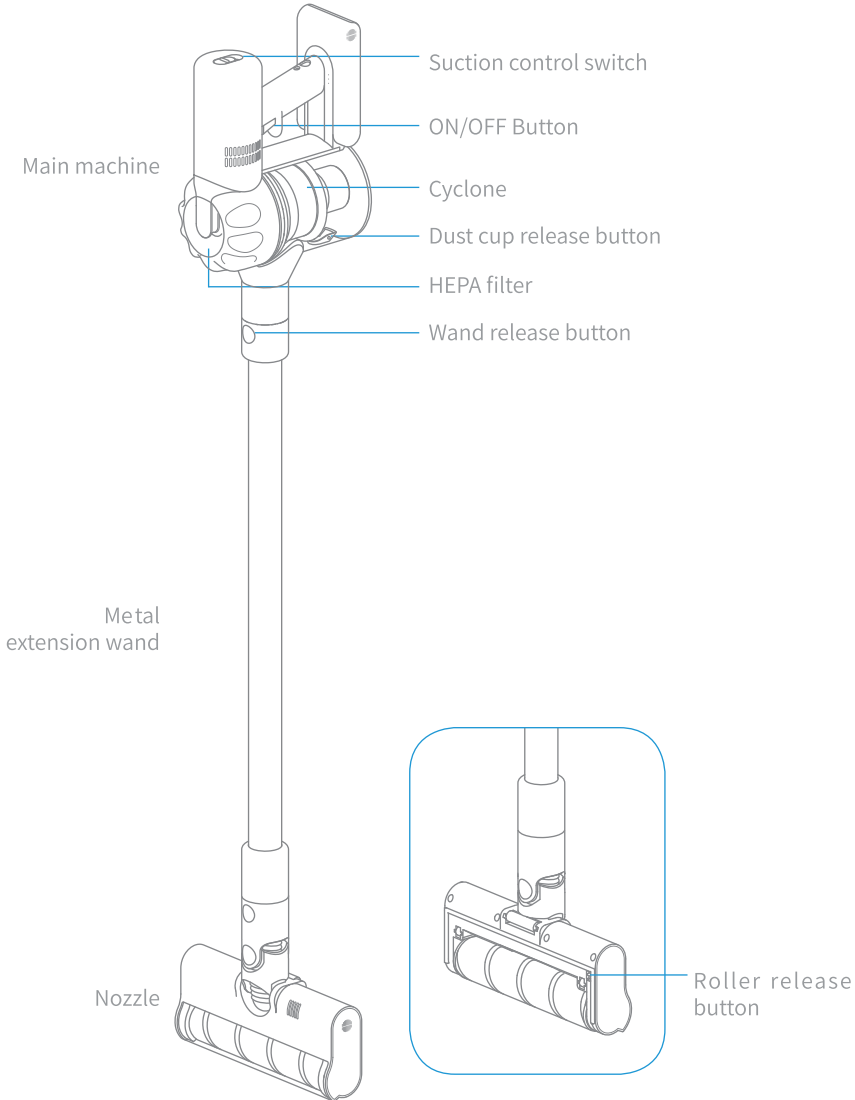


means detachable supply unit

Assembly

Getting to know your vacuum cleaner

Product introduction



Assembly

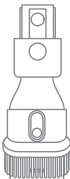
Accessories list



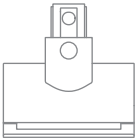
2-in-1 Crevice tool



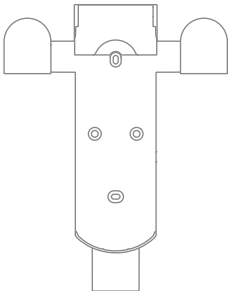
Charger



2-in-1 Wide tool



Anti acarids nozzle



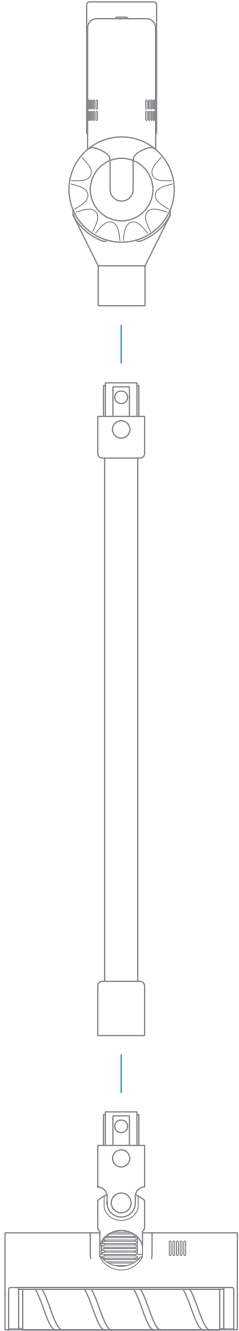
Store base

Assembly

Assembling Procedures

Assembling the nozzle and the wand as picture shown.

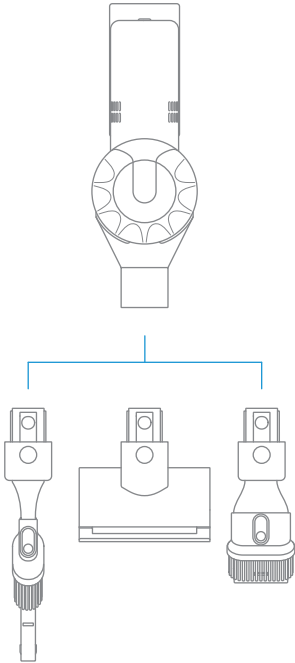
Installing the STORE BASE with the SCREW , need drill two holes (φ8mm and 30mm in depth) on the wall.



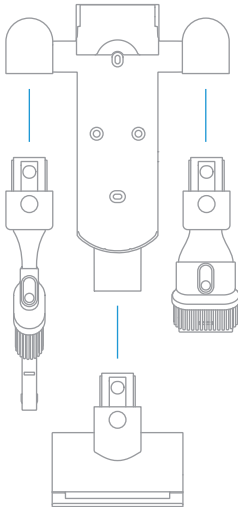
Assembly

Attaching Accessories

Assembling the accessories as picture shown.



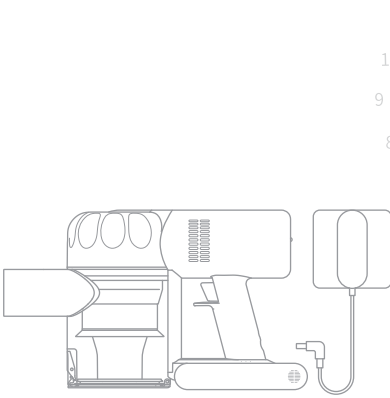
Attaching the accessories and main machine in STORE Base as picture shown



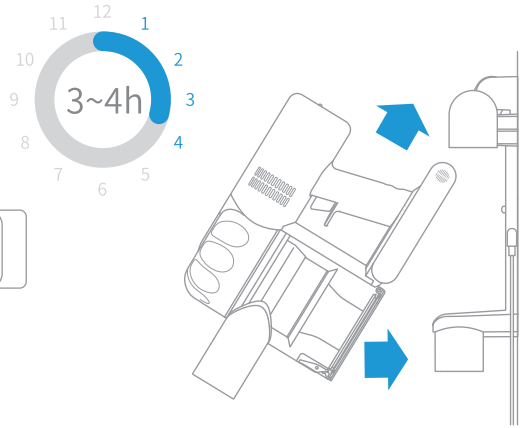
Use your cleaner

Battery charging

Battery may be not fully charged when first time used. charge the battery as below picture.

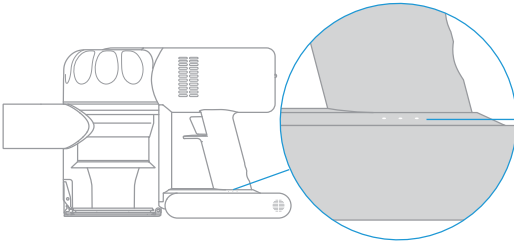


Battery Charging method 1



Battery Charging method 2

Indicators status

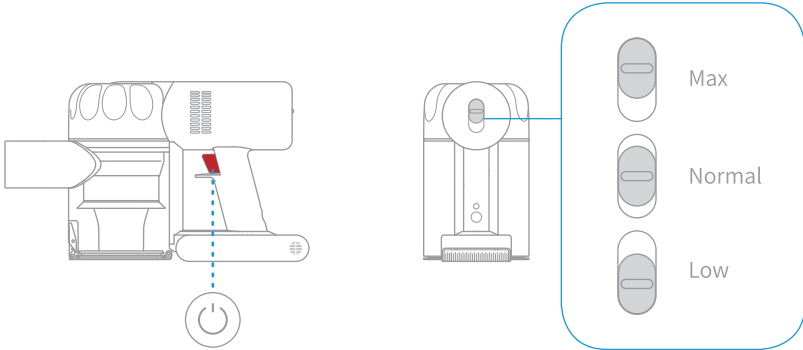


- ● ☀ Low battery
- ☀ ○ Middle battery
- ☀ ○ ○ High battery
- ○ ○ Full battery
- ● ● Full battery (sleep mode)

Use your cleaner

Operations

you can chose different suction setting from low to max mode by setting suction control switch.



Use of soft-cloth roller

Soft-cloth roller can be used on carpet, hard wood or tile floor.

Vacuum cleaner will shut off nozzle power if nozzle was jammed.

Use of accessories

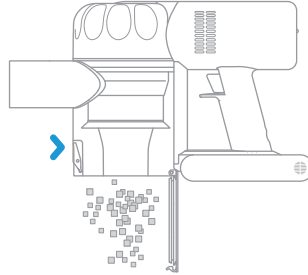
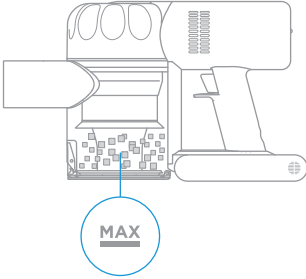
1. 2-in-1 Flat vacuuming head and anti acarids nozzle; suitable for cleaning surfaces of bed, sofa...etc.

2. 2-in-1 Brush vacuuming head; suitable for cleaning crevices corners...etc.

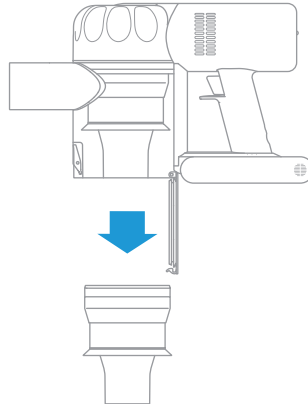
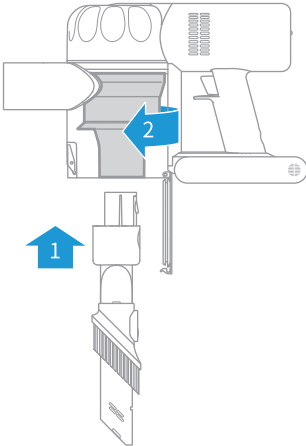
Maintenance

Cleaning dust cup and HEPA

Empty dust cup by dust cup release button when debris reaches the MAX fill line.



Clean the cyclone as below picture.

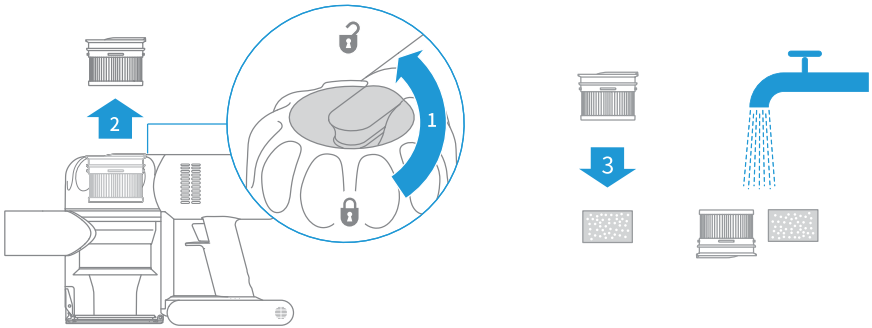


Maintenance

Cleaning dust cup and HEPA

Take off HEPA as below picture

Rinse HEPA with water. Tap loose dirt off HEPA between washes as needed. Once HEPA is completely dry, install HEPA back.



Warning

Make sure HEPA completely dry.

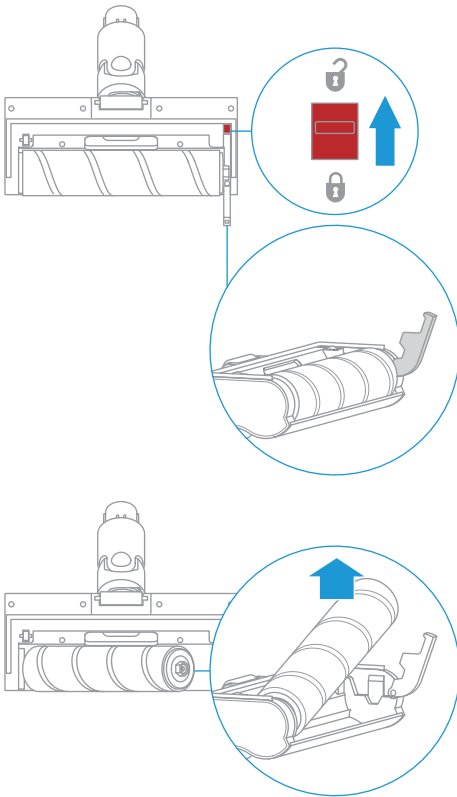


Maintenance

Cleaning soft roller

Take off soft roller as picture.

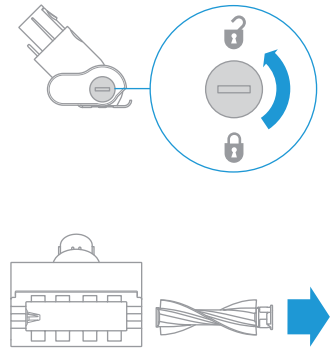
Remove any string, hair, or debris that may be wrapped around the soft roller, wheel.



Cleaning anti acarids nozzle

Take off anti acarids nozzle cover.

Remove any string, hair, or debris that may be wrapped around the anti acarids nozzle.



Storage

Remove wand, nozzle, anti acarids nozzle and accessories from main machine, and storge them at room temperature .

Troubleshooting

Problem	Possible cause	Solution
Cleaner does not work	Low battery	Charge battery
	No suction	Clean air path
Weak suction	Dust cup and HEPA are dirty	Cleaning dust cup and HEPA
	Nozzle jammed	Clean nozzle
At starting,the first lamp lights up in red	Battery error	Contact dreame for service
At starting,the first lamp blinks in red	Wrong charger	Use right charger
Failure on battery charging	Poor charger connection	Make sure of good connection
	Connection is good,but still not working	Contact dreame for service

If none of the measures solved the problem you experience with the product,please contact dreame customer service for assistance.

After-sales services

If assistance is needed in operating dreame vacuum cleaner, please contact customer Service by telephone number: 400 875 9511 or visit www.dreame-technology.com or postal mail to Shangjin wan Headquarters, building E3 economic garden, 2288 Wuzhong boulevard, Suzhou, Jiangsu.

WEEE Information



All products bearing this symbol are waste electrical and electronic equipment (WEEE as in directive 2012/19/EU) which should not be mixed with unsorted household waste. Instead, you should protect human health and the environment by handing over your waste equipment to a designated collection point for the recycling of waste electrical and electronic equipment, appointed by the government or local authorities. Correct disposal and recycling will help prevent potential negative consequences to the environment and human health. Please contact the installer or local authorities for more information about the location as well as terms and conditions of such collection points.



Do not operate near flames



Do not rest or charge battery near a heater



Do not try to pick up water or liquid



Do not pick burning subject



Do not put hand close to vacuum head in operation



Do not place main machine on or near a stove

Manufactured by: Dreame Trading (Tianjin) Co., Ltd.
For further information, please visit www.dreame-technology.com

Made in China