

ASSEMBLY INSTRUCTIONS

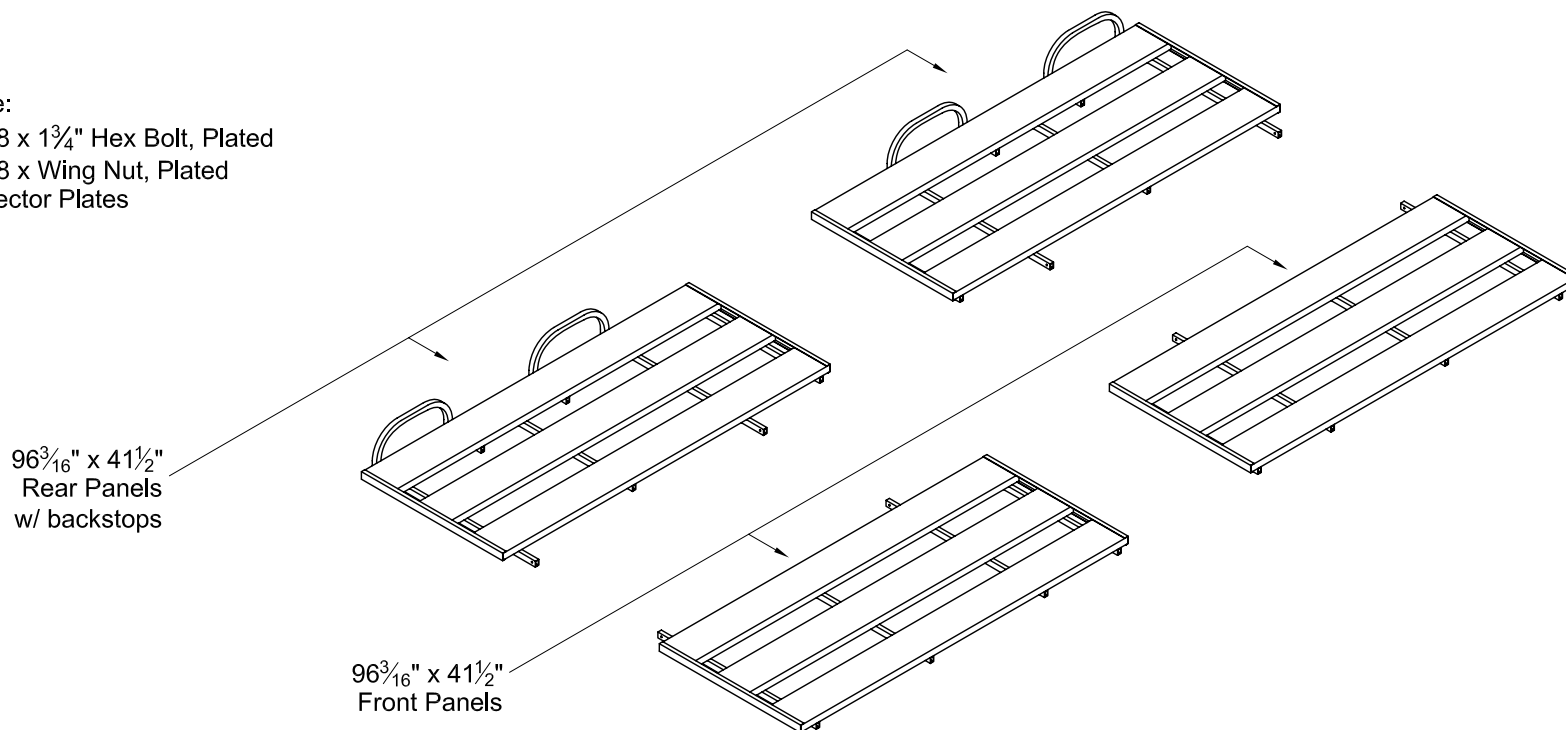
Parts list:

- (2) 96³/₁₆" x 41¹/₂" Rear Panels w/ backstops
- (2) 96³/₁₆" x 41¹/₂" Front Panels

The 733641 aluminum high jump pit platform consists of 4 platform panels and connecting hardware.

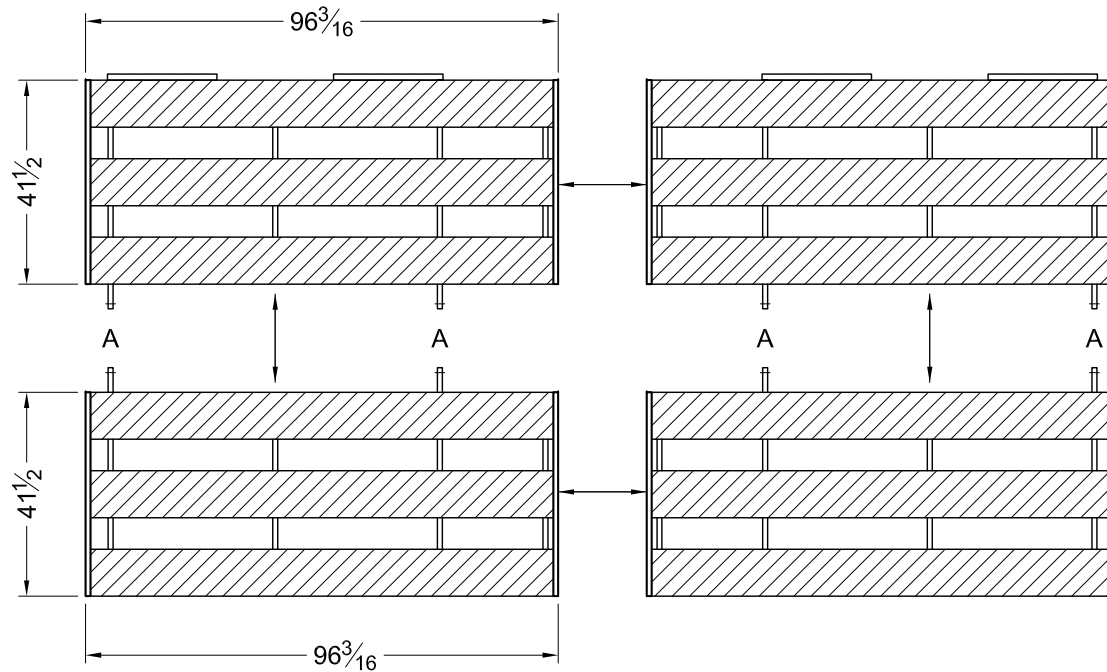
Hardware:

- (8) 5/16"-18 x 1 3/4" Hex Bolt, Plated
- (8) 5/16"-18 x Wing Nut, Plated
- (8) Connector Plates



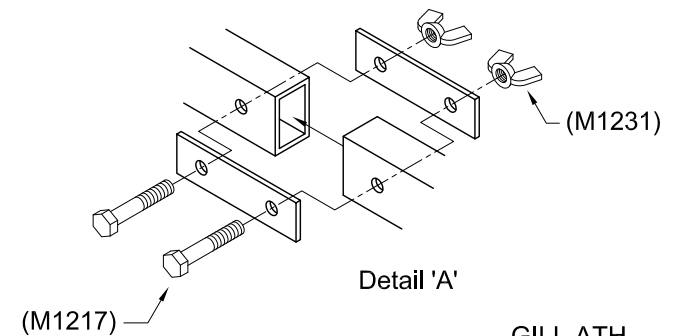
ALUMINUM HIGH JUMP PIT PLATFORM 733641 for use with HJ Pit 641V

ASSEMBLY INSTRUCTIONS



Layout the platform panels as shown. Push the left and right side panels together and fasten the rear panels to the front panels.

Fasten panels together using two 3 1/2" long connector plates, two 5/16"-18 x 1 3/4" hex bolts, and two 5/16"-18 wing nuts.



THIS WARNING IS GIVEN IN COMPLIANCE WITH CALIFORNIA'S PROPOSITION 65:
WARNING
This product contains chemicals known to the State of California to cause cancer, birth defects or other reproductive harm.