



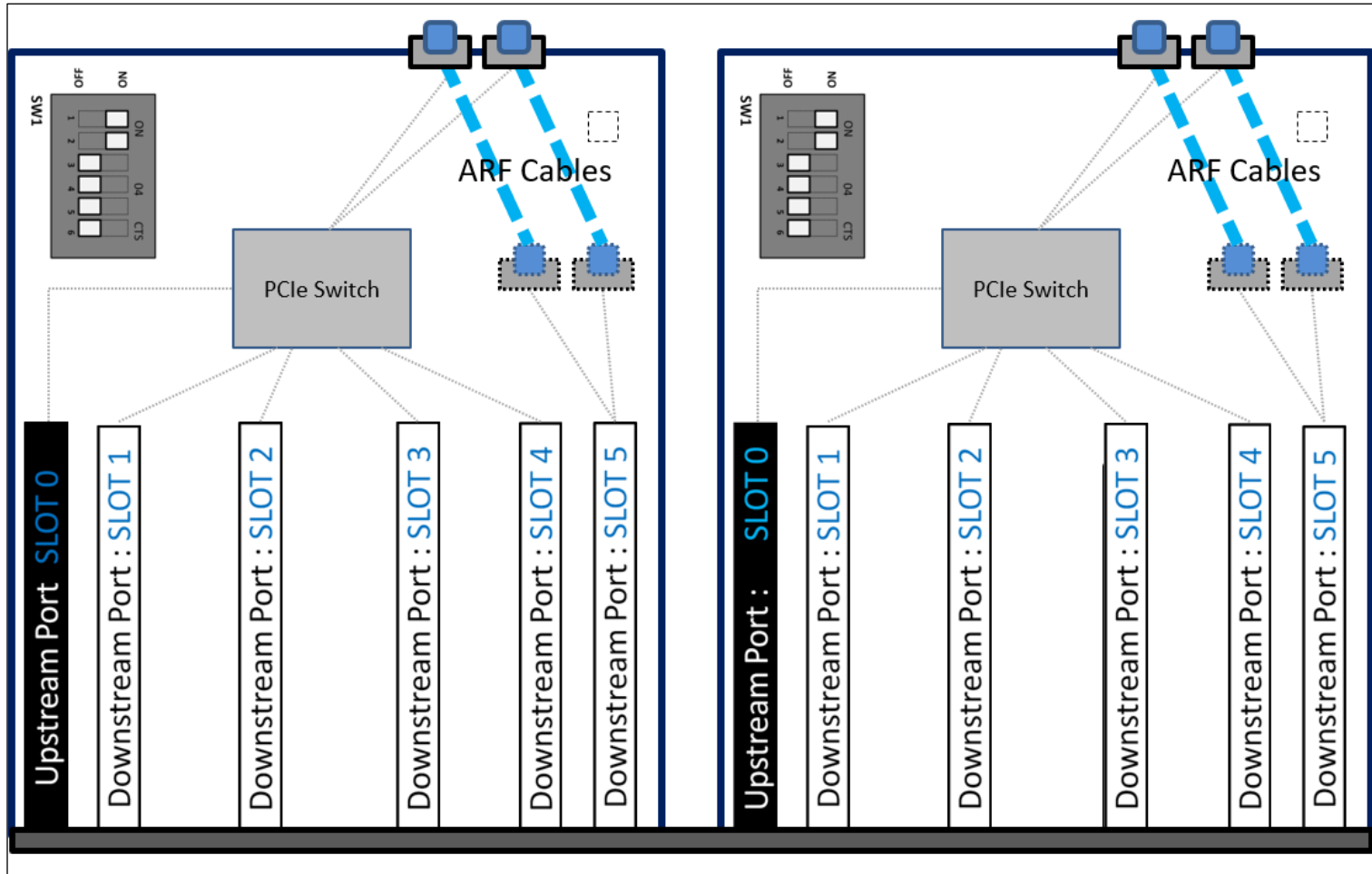
# OSS-538 Gen4 Backplane

## Slot Configurations

# OSS-538

# Slot Configurations

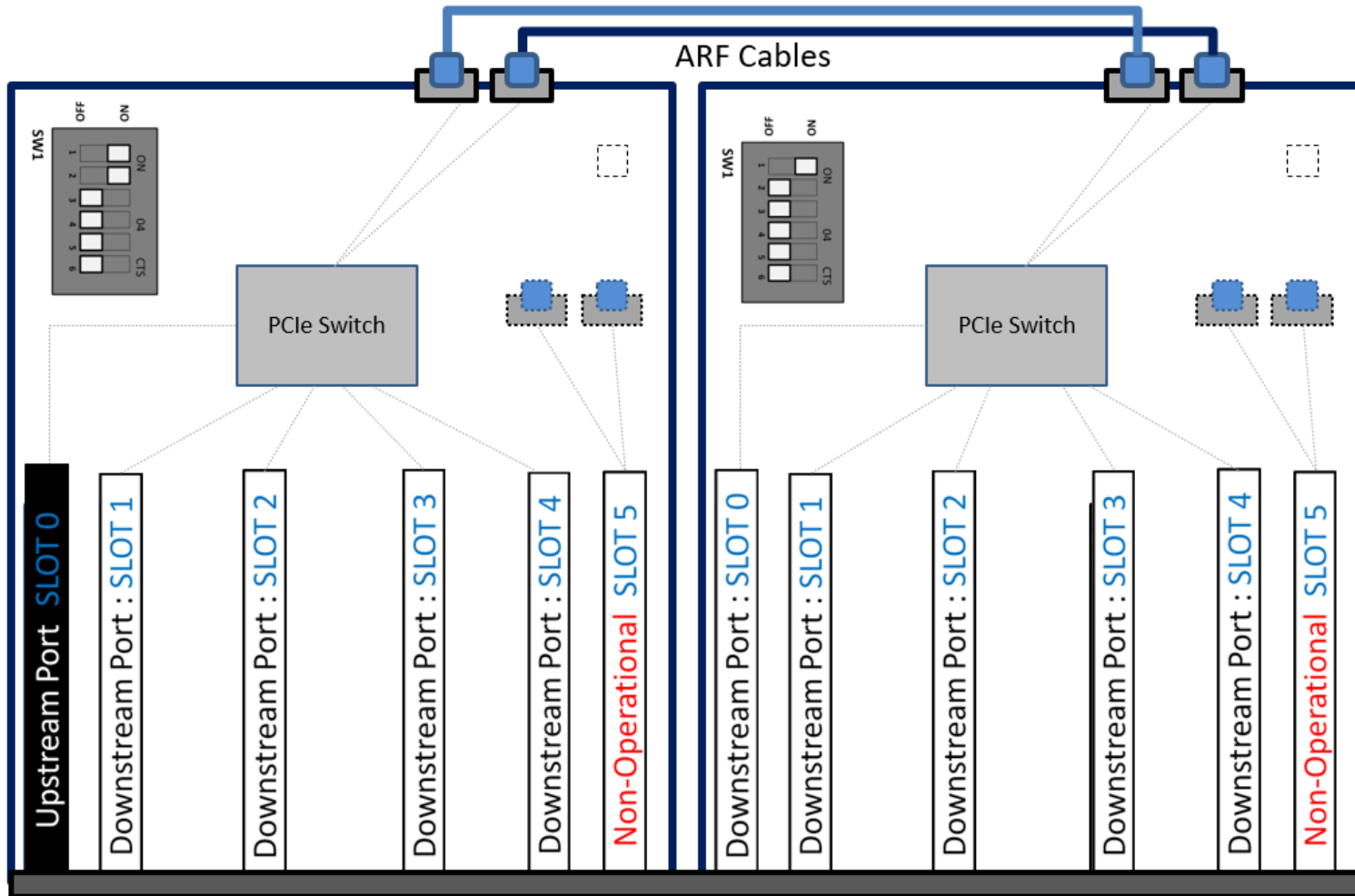
# 10 SLOT: OSS-538 with Two Uplinks (Default Setting)



2 Upstream Slots  
10 Downstream Slots



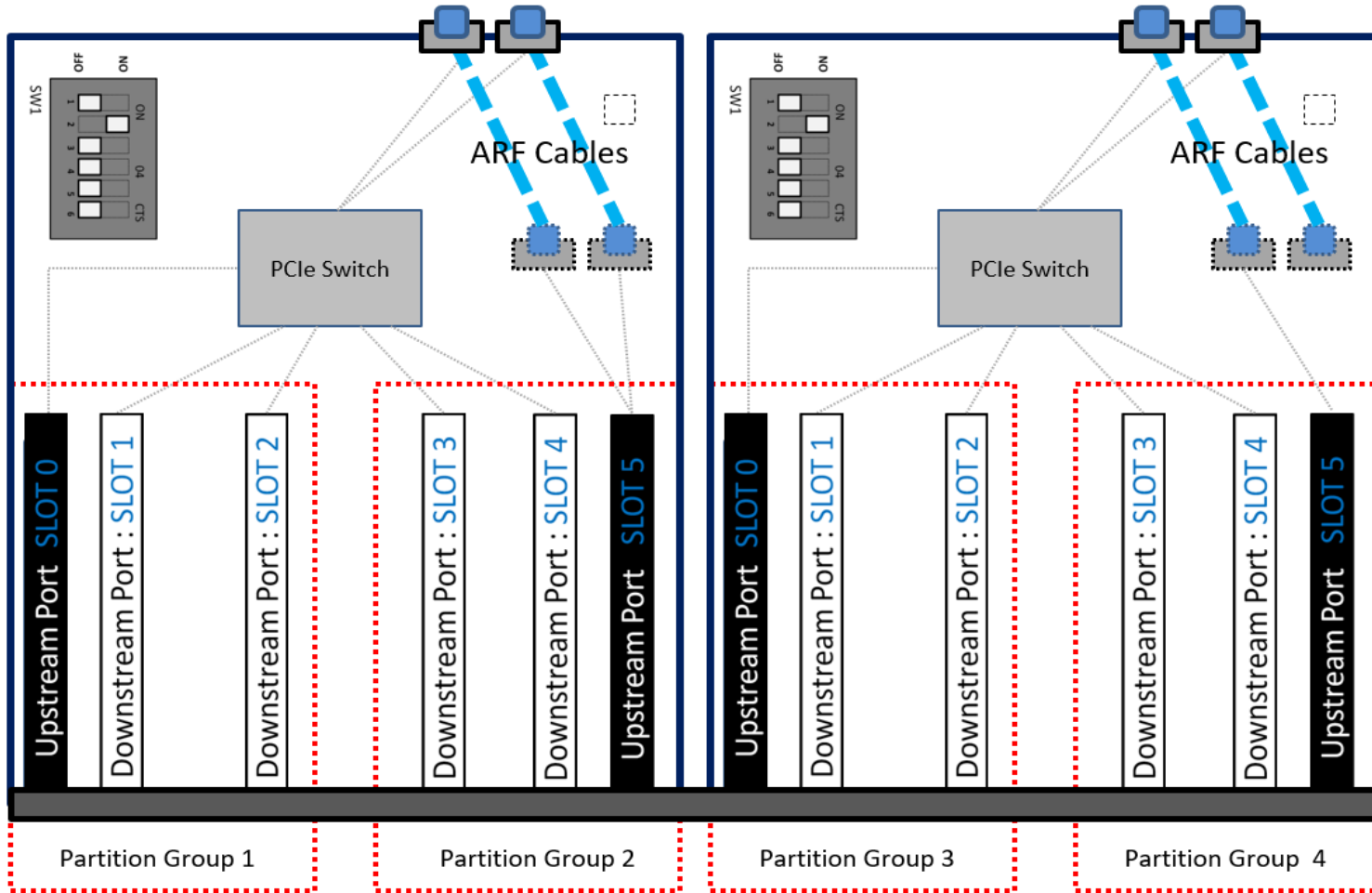
# 10 SLOT : OSS-538 Daisy Chain – One Uplink



- 1 Upstream Slot
- 9 Downstream slots
- 2 Non-operational slots



# Two 538 Backplanes + Four Partitions (4 Uplinks)



4 Upstream Slots (Four partitions)

8 Downstream slots

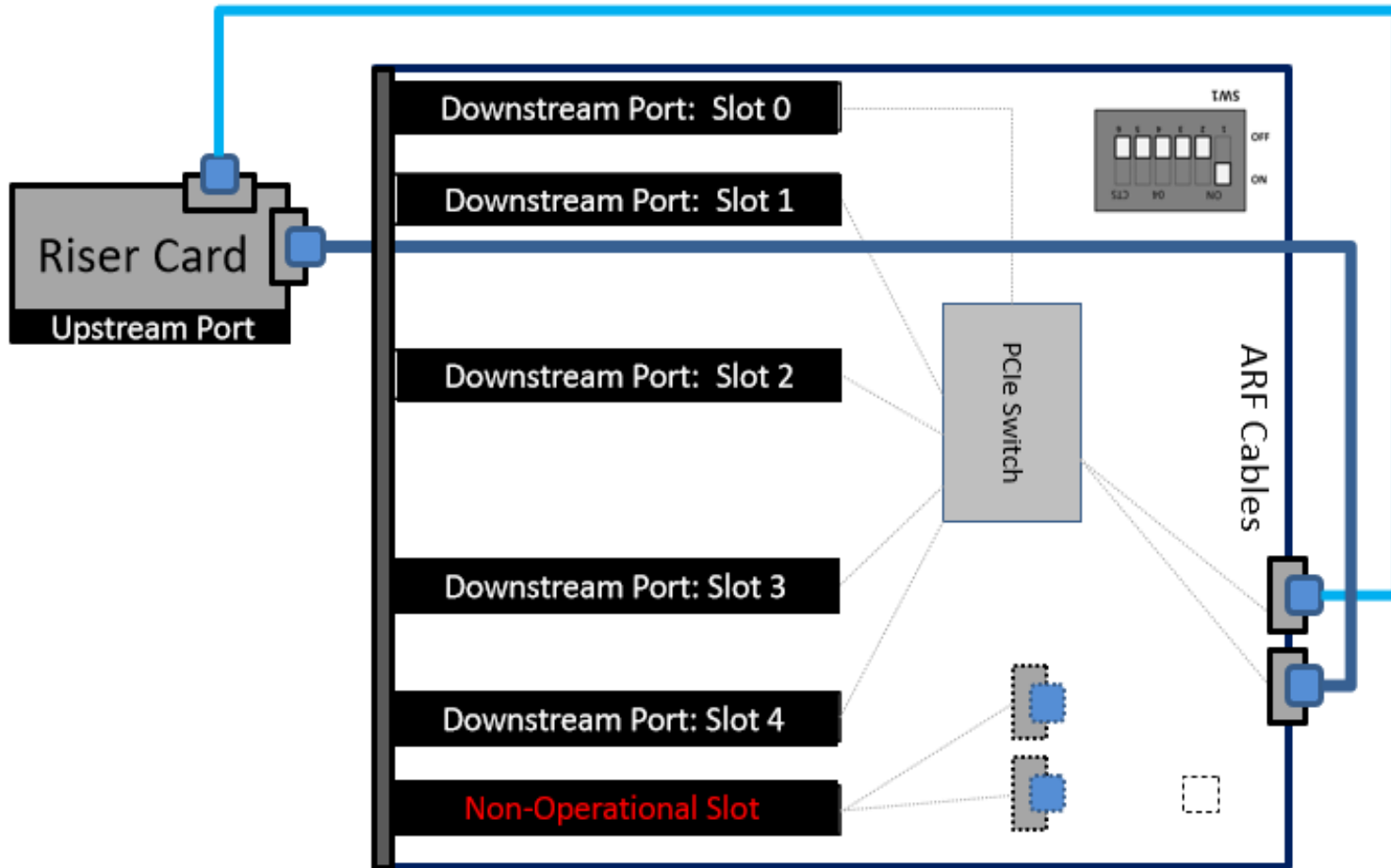
- 2 Downstream slots per partition (partitions #1, #2, #3 and #4)

Notes: This configuration requires custom programming | Synthetic Firmware





# Single Backplane OSS-538 with One Uplink + Riser Card



Using riser card as Upstream Port

1 Upstream Slot

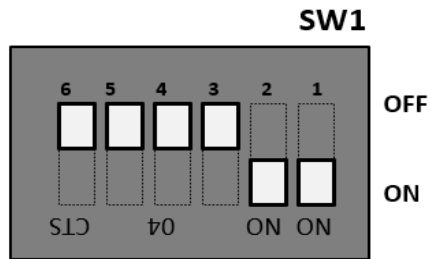
5 Downstream slots

- SLOT# 0, 1, 2, 3 and 4



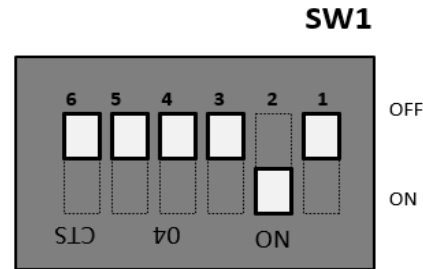
# Backplane Dipswitch Settings

Standard Configuration(One Target Card)



Backplane Dipswitch Settings

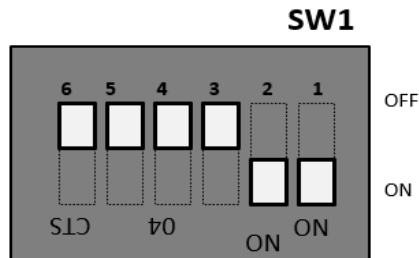
Partition Configuration (Two Target Cards)



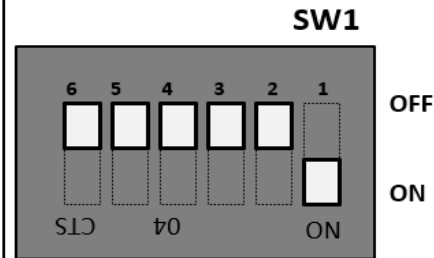
Backplane Dipswitch Settings

Daisy - Chain Dip Switch Settings

1<sup>st</sup> Backplane



2<sup>nd</sup> Backplane



Backplane Dipswitch Settings

