



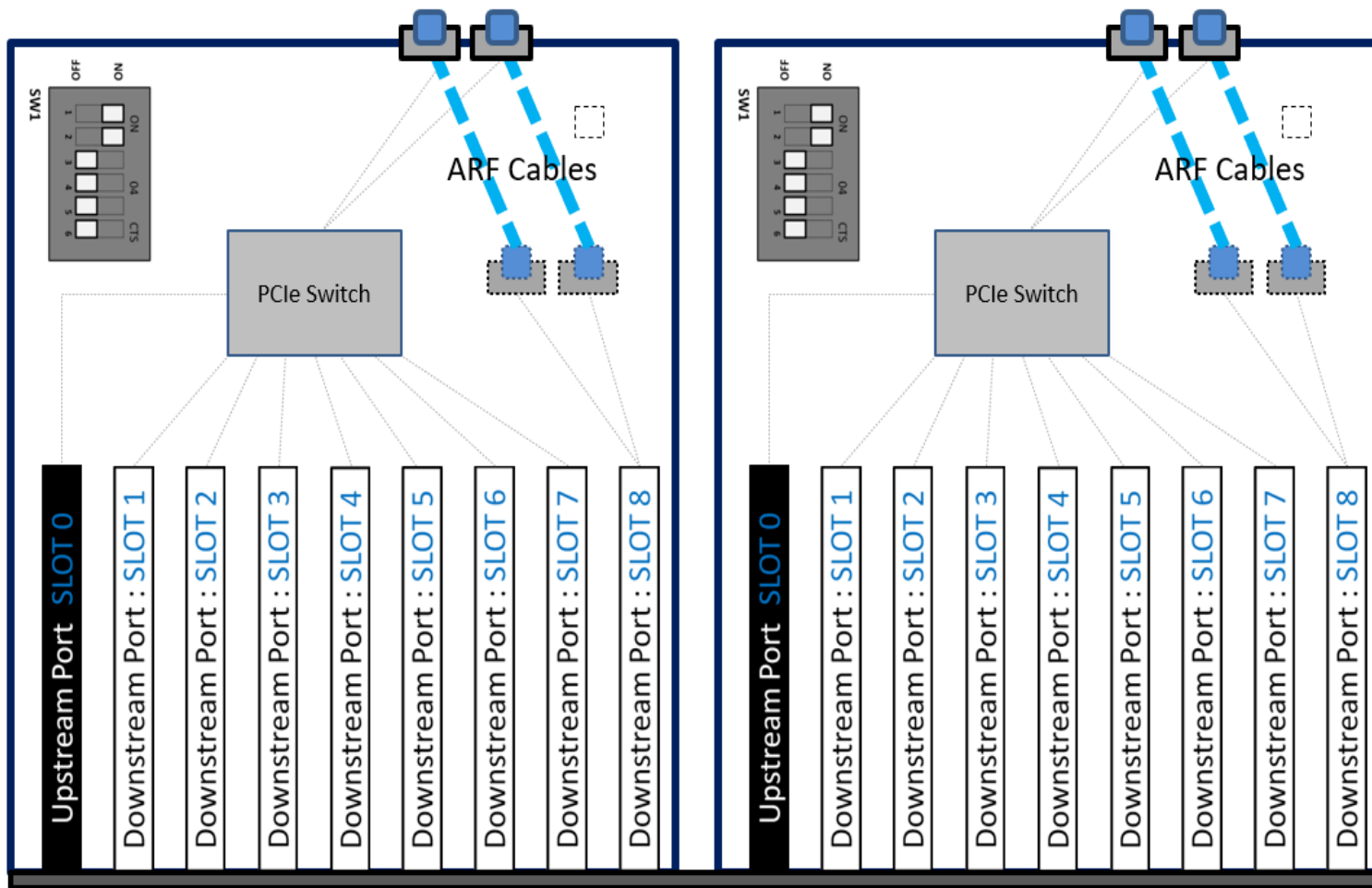
OSS-521 Gen4 Backplane

Slot Configurations

OSS-521

Slot Configurations

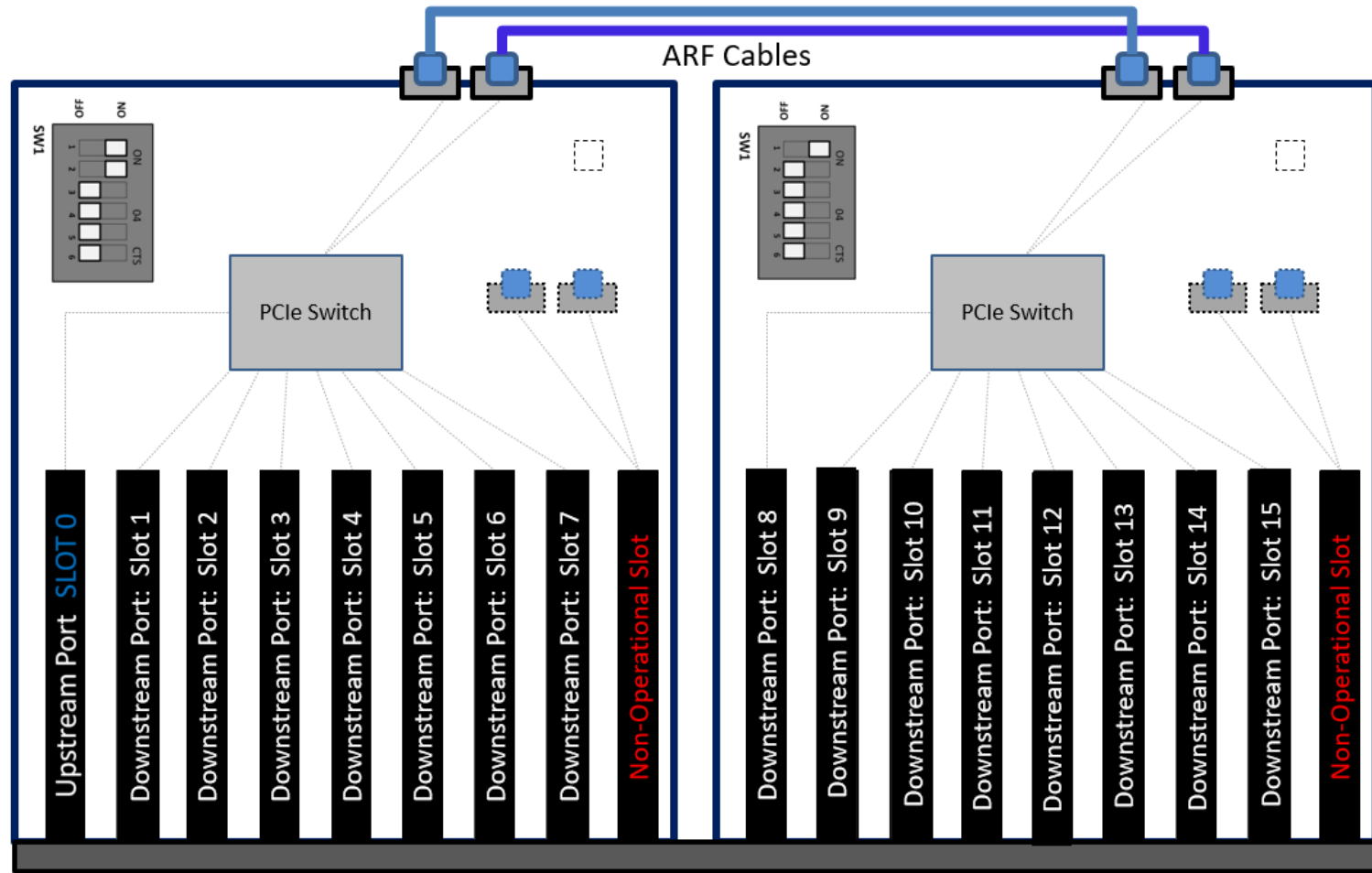
16 SLOT: OSS-521 with Two Uplinks (Default Setting)



2 Upstream Slots
16 Downstream Slots



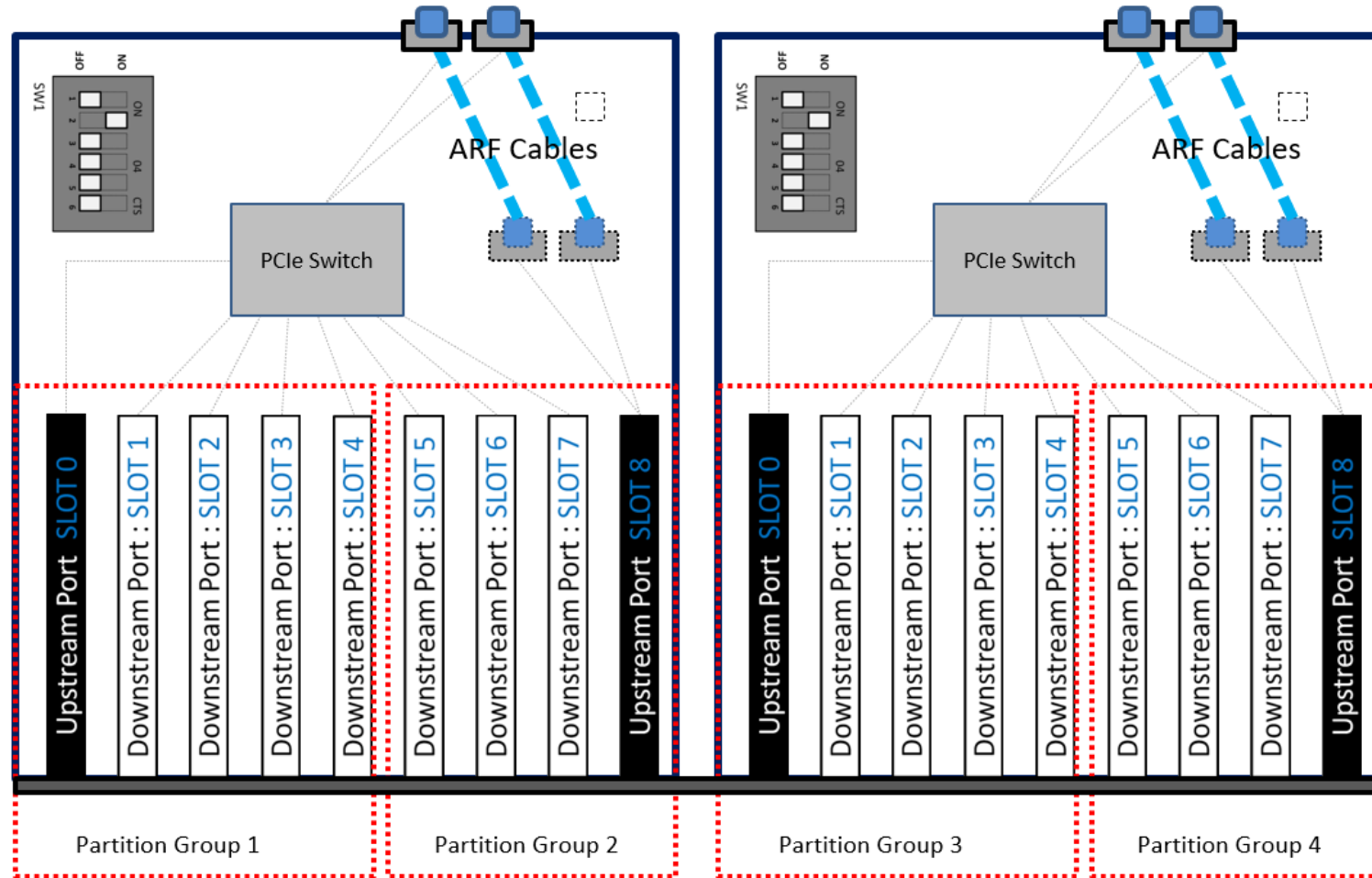
16 SLOT : OSS-521 Daisy Chain – One Uplink



- 1 Upstream Slot
- 15 Downstream slots
- 2 Non-operational slots



Two OSS-521 Backplanes + Four Partitions (4 Uplinks)



4 Upstream Slots (Four partitions)

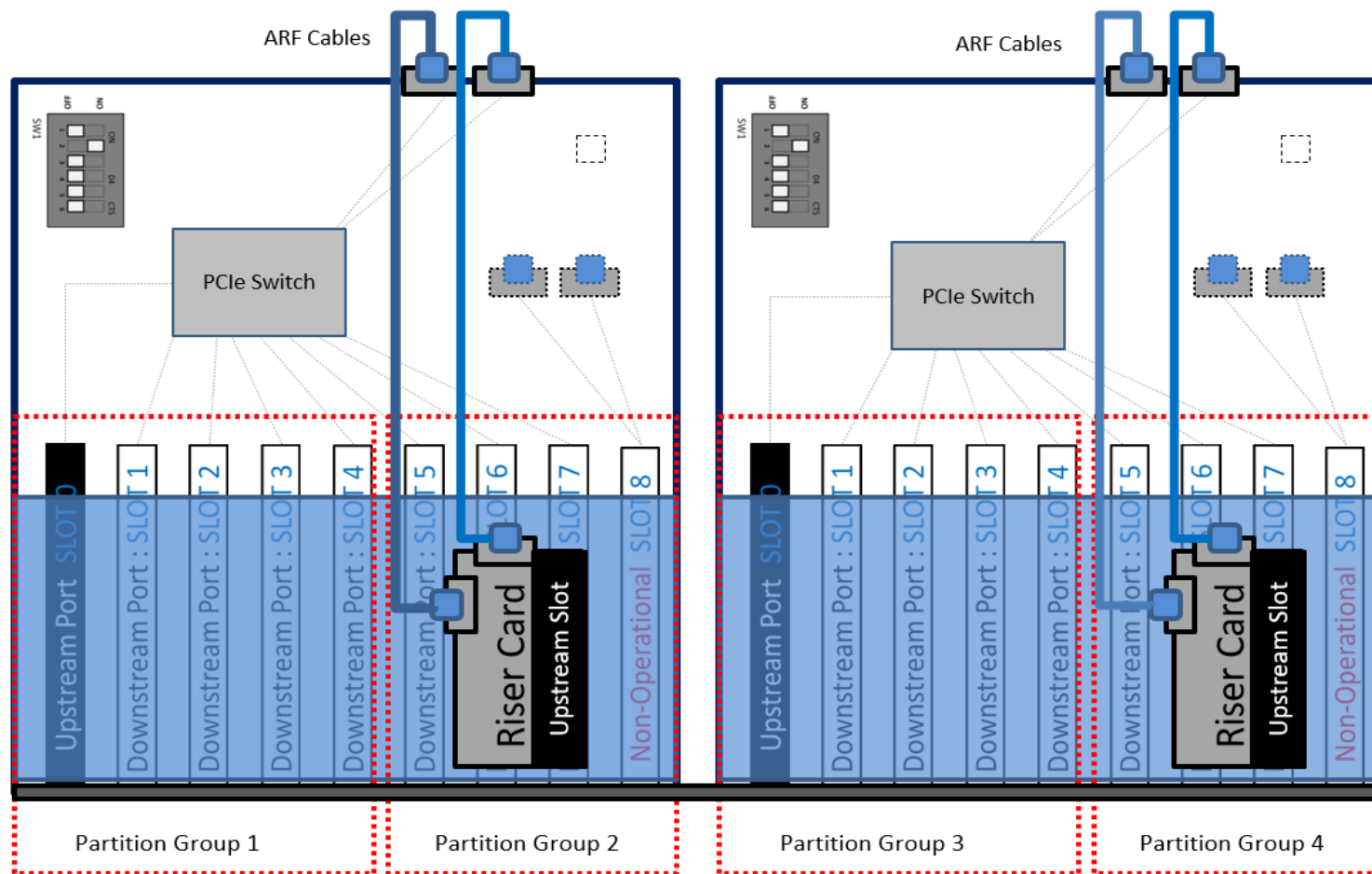
14 Downstream slots

- 4 Downstream slots for each partition (partitions #1 and #3)
- 3 Downstream slots for each partition (partitions # 2 and #4)

Notes: This configuration requires custom programming | Synthetic Firmware



Two OSS-521 Backplanes + Four Uplinks | Two Riser Cards



Using riser card / Upstream Slot with OSS- 518

4 Upstream Slots (Four partitions)

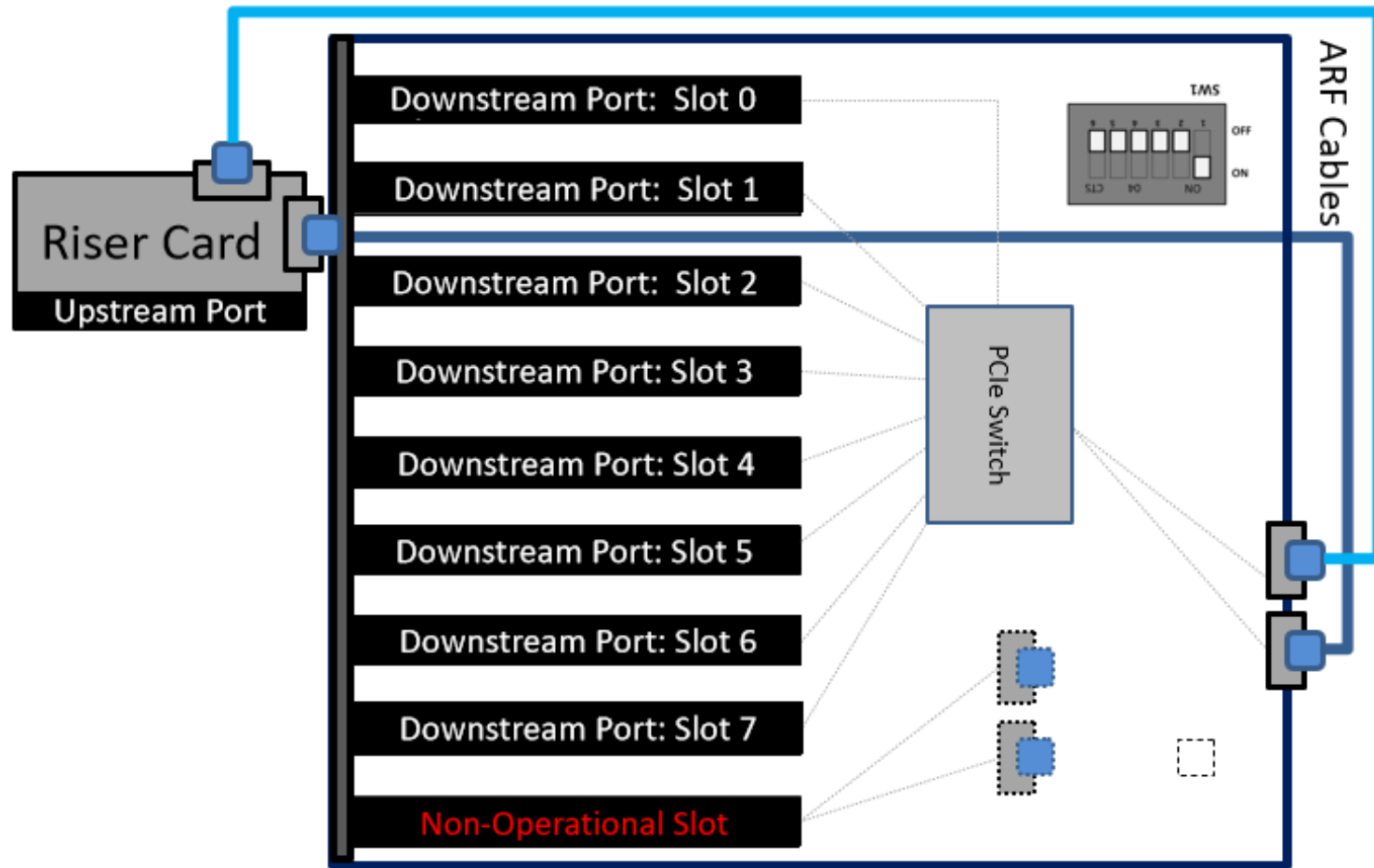
14 Downstream slots

- 4 Downstream slots for each partition (partitions #1 and #3)
- 3 Downstream slots for each partition (partitions # 2 and #4)

Notes: This configuration requires custom programming | Synthetic Firmware



Single Backplane OSS-521 with One Uplink + Riser Card



Using riser card as Upstream Port

1 Upstream Slot

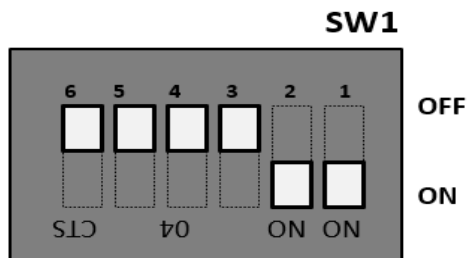
8 Downstream slots

- SLOT# 0, 1, 2, 3, 4, 5, 6 and 7



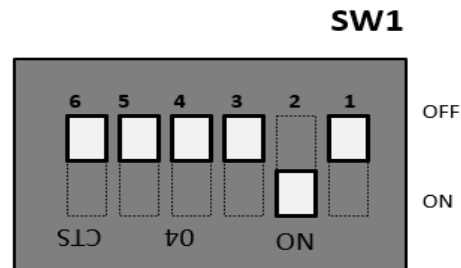
Backplane Dipswitch Settings

Standard Configuration(One Target Card)



Backplane Dipswitch Settings

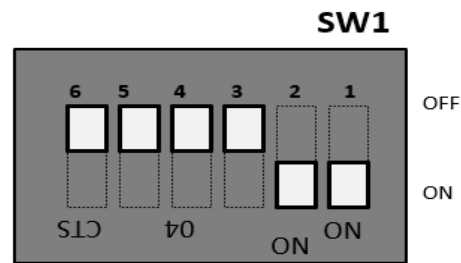
Partition Configuration (Two Target Cards)



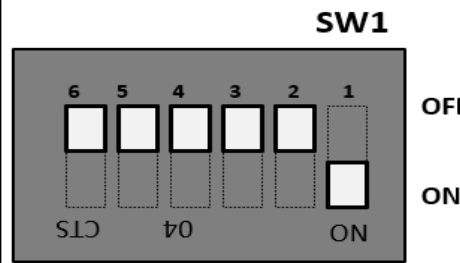
Backplane Dipswitch Settings

Daisy - Chain Dip Switch Settings

1st Backplane



2nd Backplane



Backplane Dipswitch Settings

