

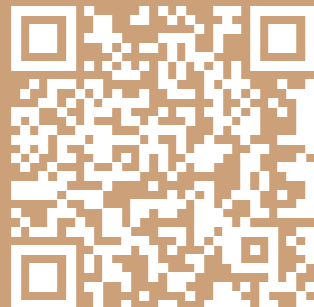


General Manual for 32" Extra Tall Modern Metal Raised Garden Bed

Copyright 2023 Vego Garden Inc.



Room to grow.



More assembly videos!



More add ons!

Contact Us



+1 (866) 597-1888



Vego Garden Academy



hello@vegogarden.com



vegogarden.com



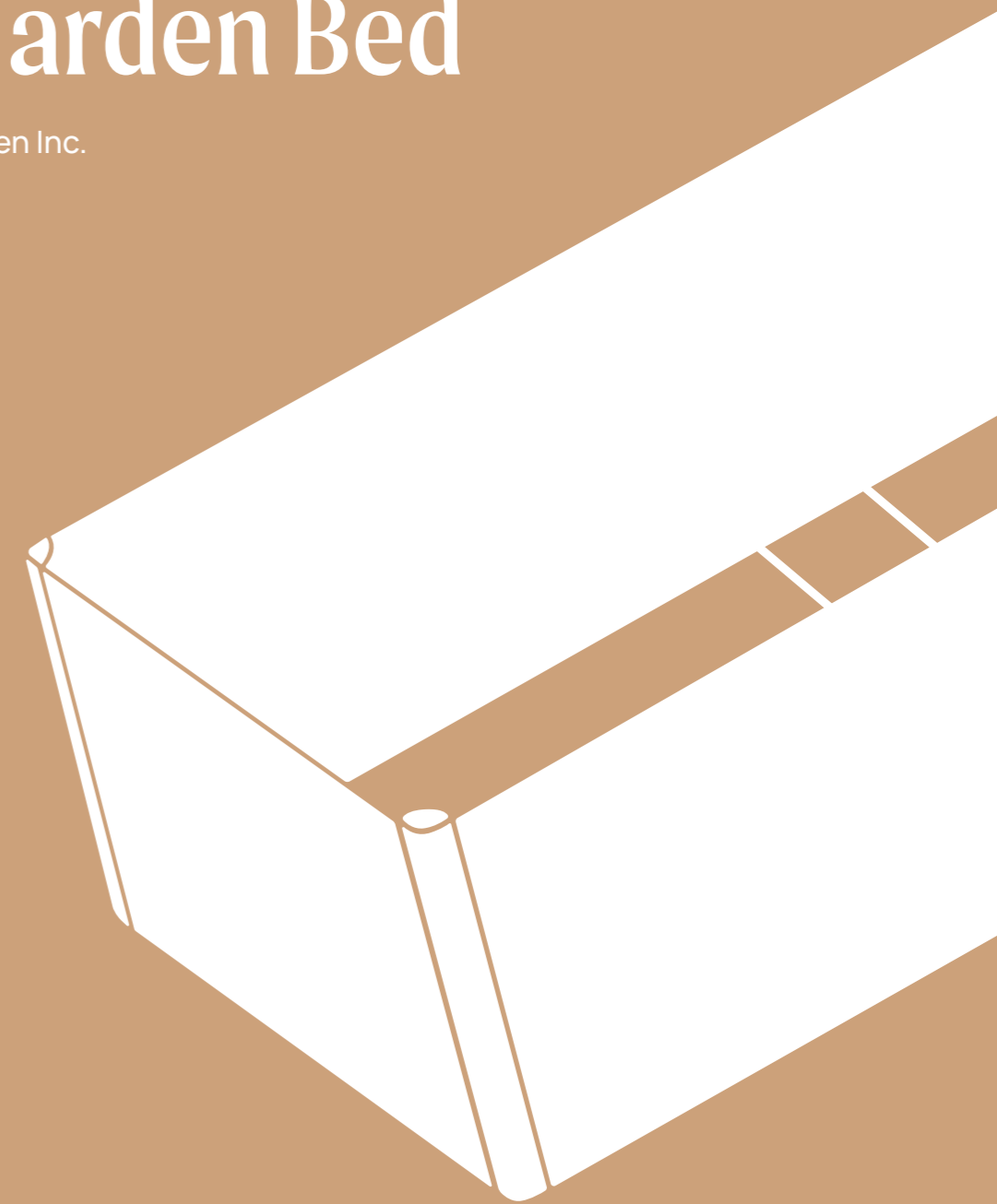
vego_garden



Tomball, TX 77377



Vego Garden Academy and Blog



To avoid scratching exterior paint, assemble on a soft surface such as lawn, mat or carpet
Character to all headers referring to 32" Extra Tall

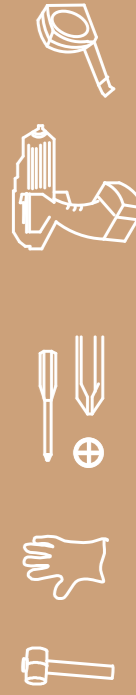


We recommend two people and approximately one hour for assembly

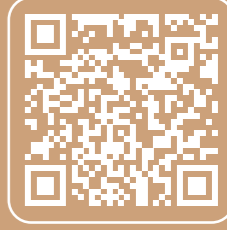
Parts List

Product	32" Extra Tall Modern 27" x 53"	32" Extra Tall Modern 27" x 83"	32" Extra Tall Modern 42" x 42"	32" Extra Tall Modern 42" x 83"	32" Extra Tall Modern L Shape	32" Extra Tall 41" Long Extension Kit
Accessories						
P3: Twin-wall panels 24" x 32"	X6	X2				
P4: Twin-wall panels 39" x 32"		X4	X4	X6	X8	X2
C4: Corner Post 32" x 2.5" x 2.5"	X4	X4	X4	X4	X5	
C5: Middle Post 32" x 2.5" x 4"	X2	X2	X2	X2	X2	X2
C6: L Shape Corner Post 32" x 2.5" x 2.5"					X1	
L3: Bracing bar 24" Long	X2	X2				
L4: Bracing bar 39" Long				X2	X4	X2
S1: Aluminum Cap	X4	X4	X4	X4	X6	
S2: Aluminum Cap	X2	X2		X2	X2	X2
S3: Connector					X2	
F1: Screw	X60	X60	X40	X60	X80	X20
F2: Screw & Nut	X4	X4		X4	X8	X4
F3: Screw & Nut					X4	
Aluminum Logo	X2	X2	X2	X2	X2	
Wrench					X2	X2

Additional tools may be required

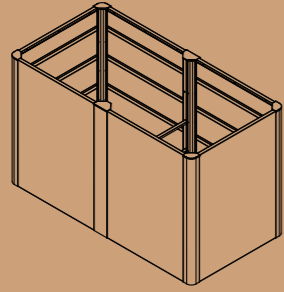


*Use heavy duty gloves when handling steel sheets and flashing

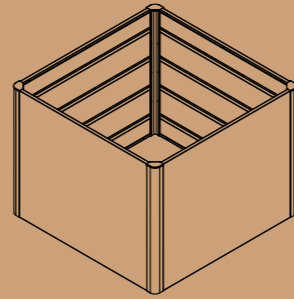


Assembly Videos

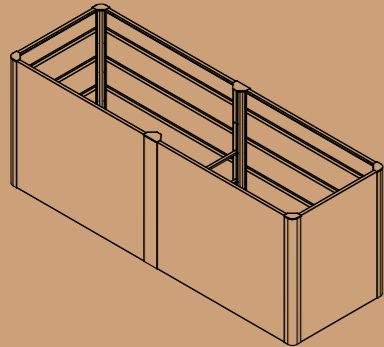
Configurations



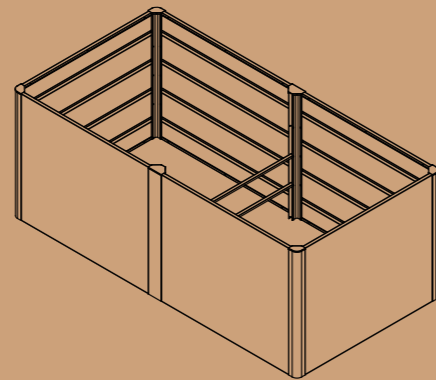
32" Extra Tall Modern 27" x 53"
Metal Raised Garden Bed



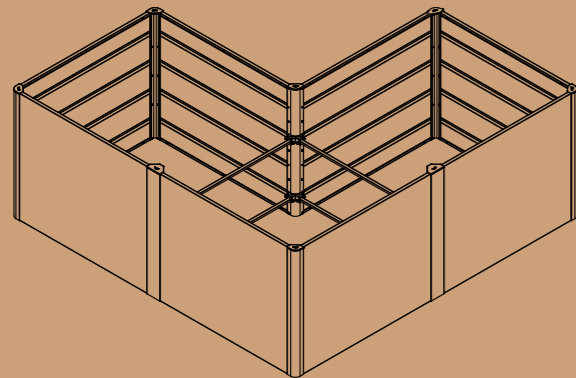
32" Extra Tall Modern 42" x 42"
Metal Raised Garden Bed



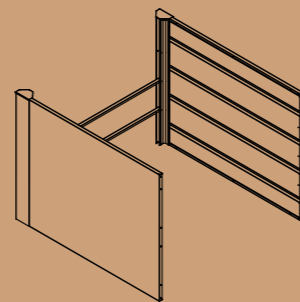
32" Extra Tall Modern 27" x 83"
Metal Raised Garden Bed



32" Extra Tall Modern 42" x 83"
Metal Raised Garden Bed



32" Extra Tall Modern L Shape
Metal Raised Garden Bed

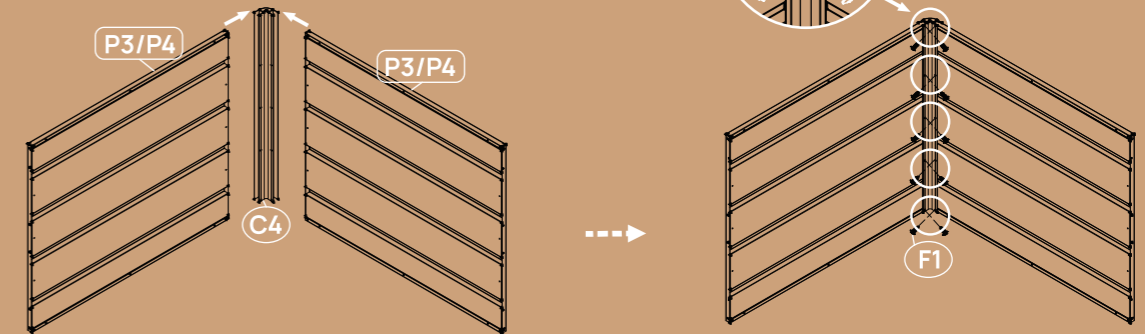


32" Extra Tall Modern Garden Bed
Extension Kit 41" Long

Assembly Guide

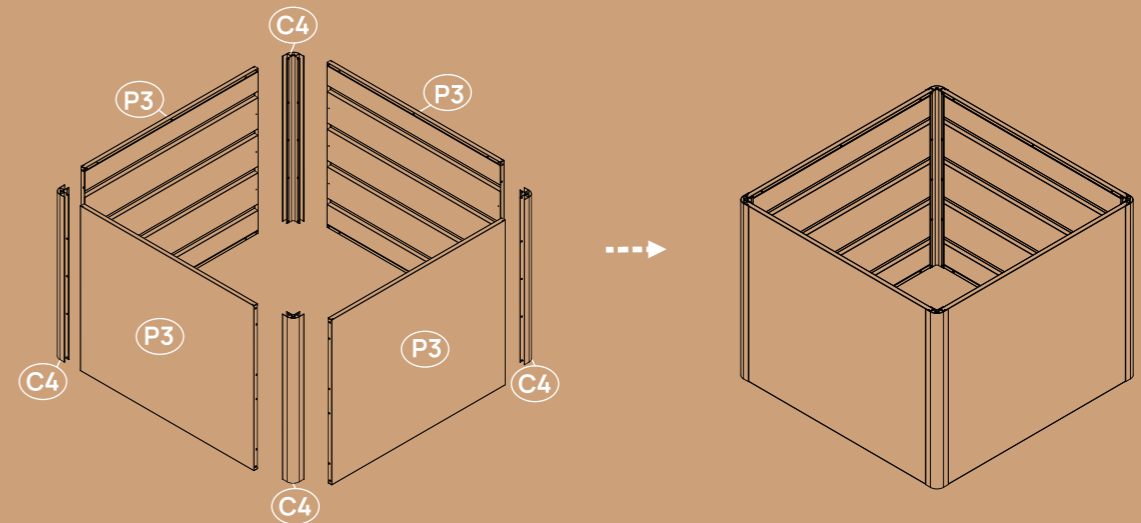


1 Step 1: Link P3/P4 and C4, secure with F1.

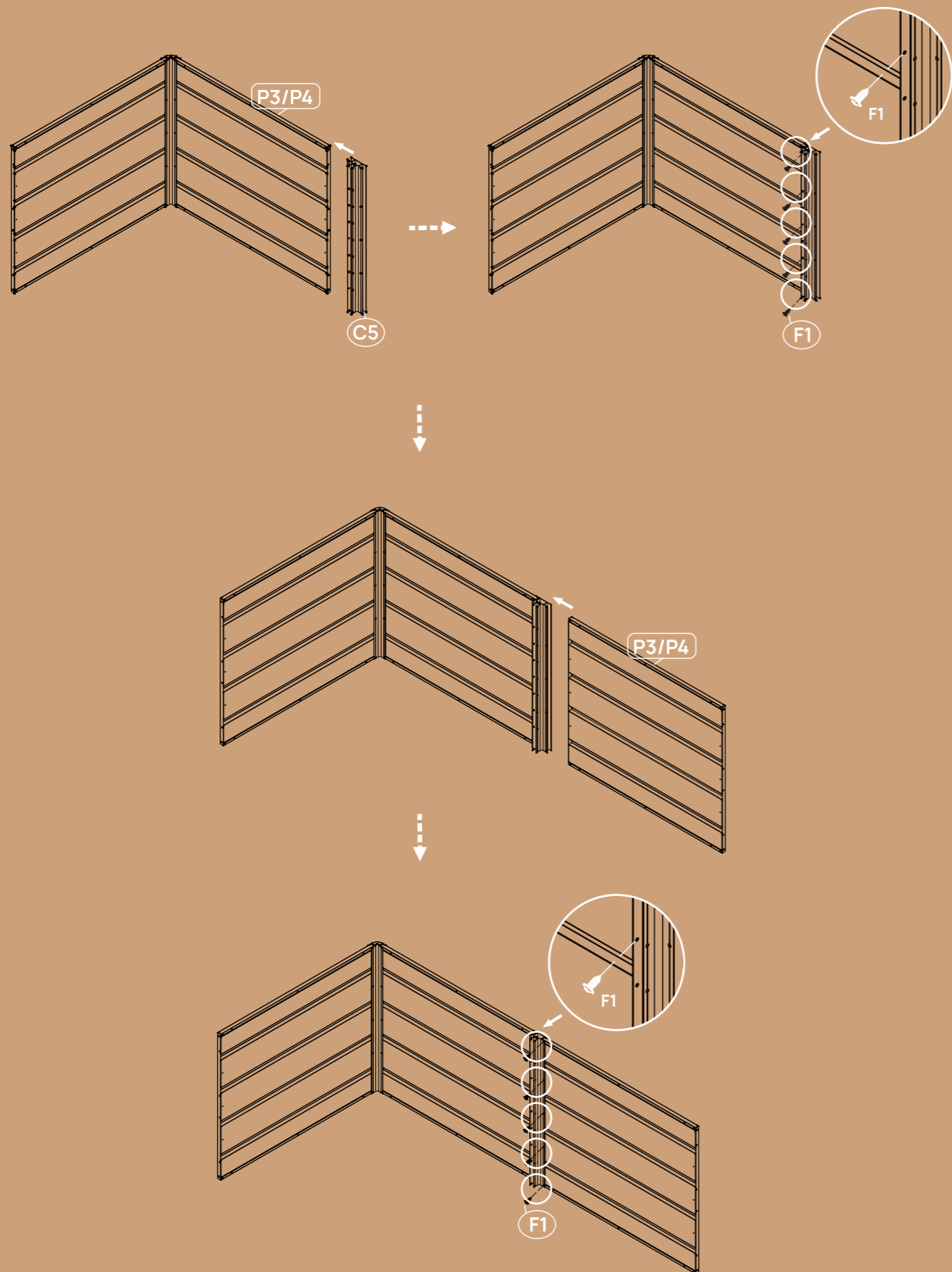


Using the same steps, you can get 32" Extra Tall Modern 42" x 42".

32" Extra Tall Modern 42" x 42" Metal Raised Garden Bed

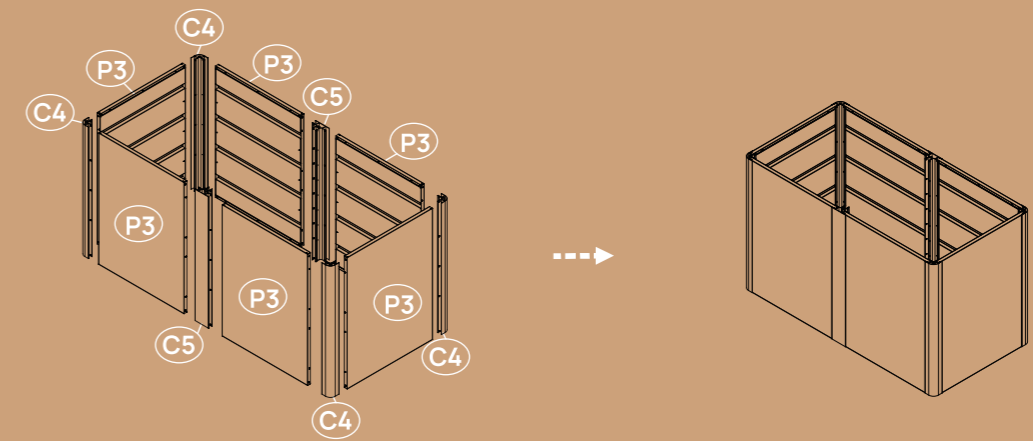


2 Step 2: Link P3/P4 and C5, secure with F1.

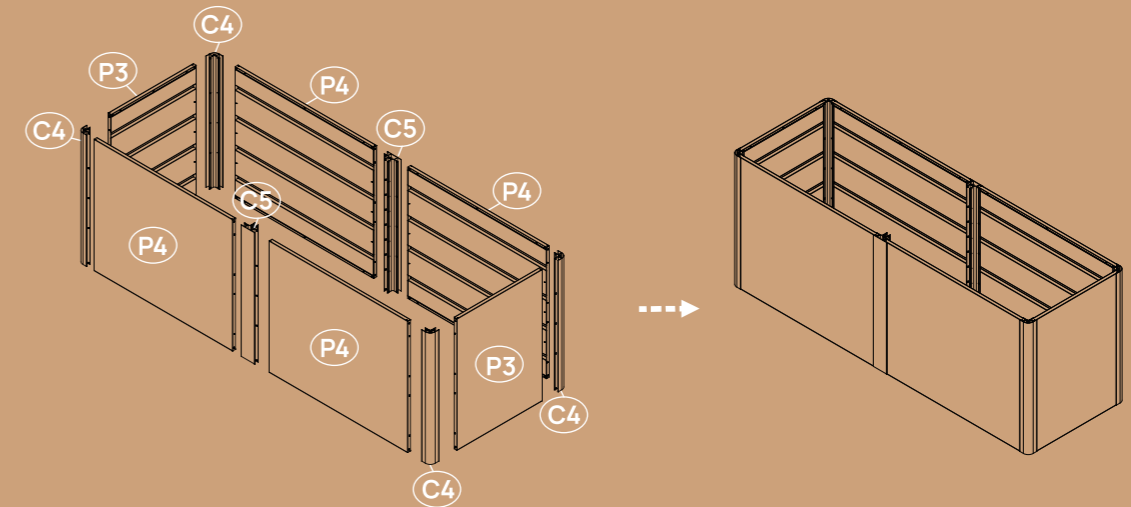


Using the same steps, you can get the following models.

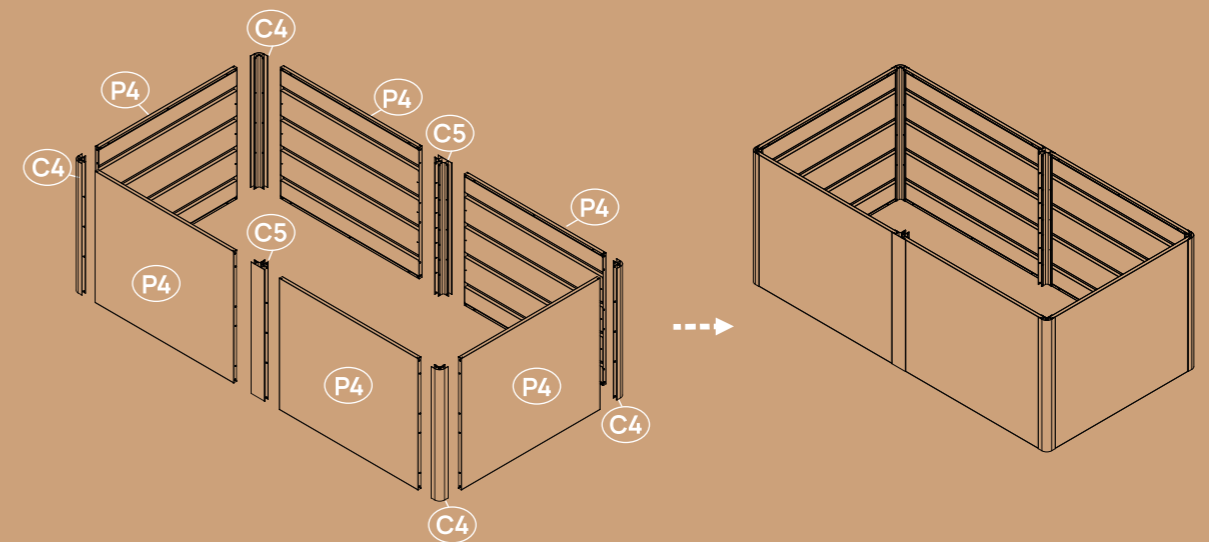
32" Extra Tall Modern 27" x 53" Metal Raised Garden Bed



32" Extra Tall Modern 27" x 83" Metal Raised Garden Bed

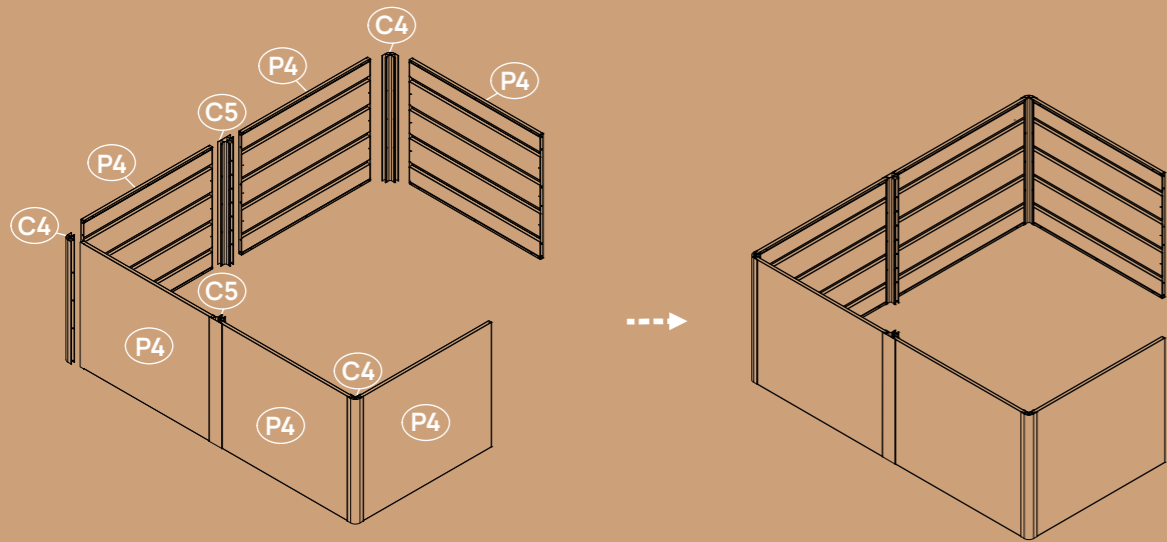


32" Extra Tall Modern 42" x 83" Metal Raised Garden Bed

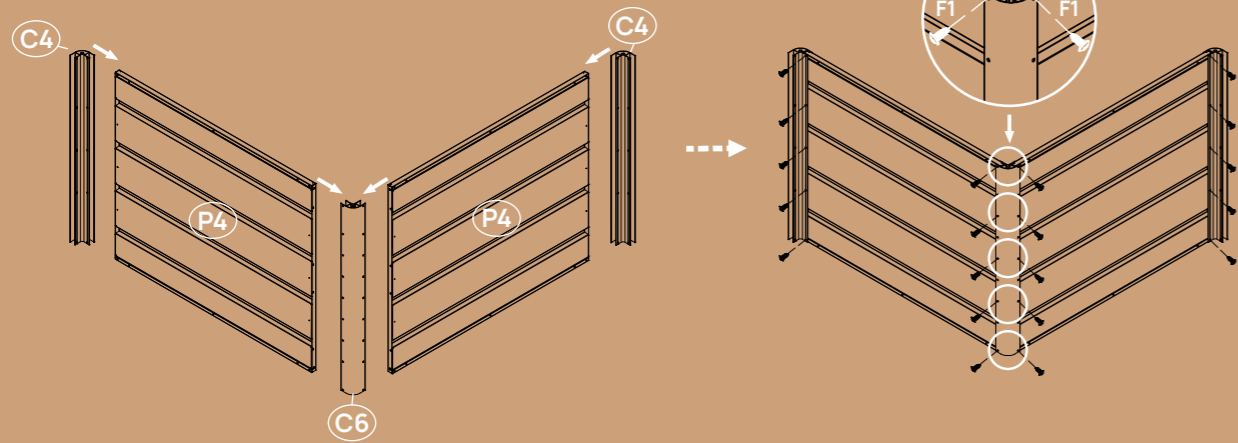


3 Step 3: Only for 32" Tall Modern L Shape Metal Raised Garden Bed

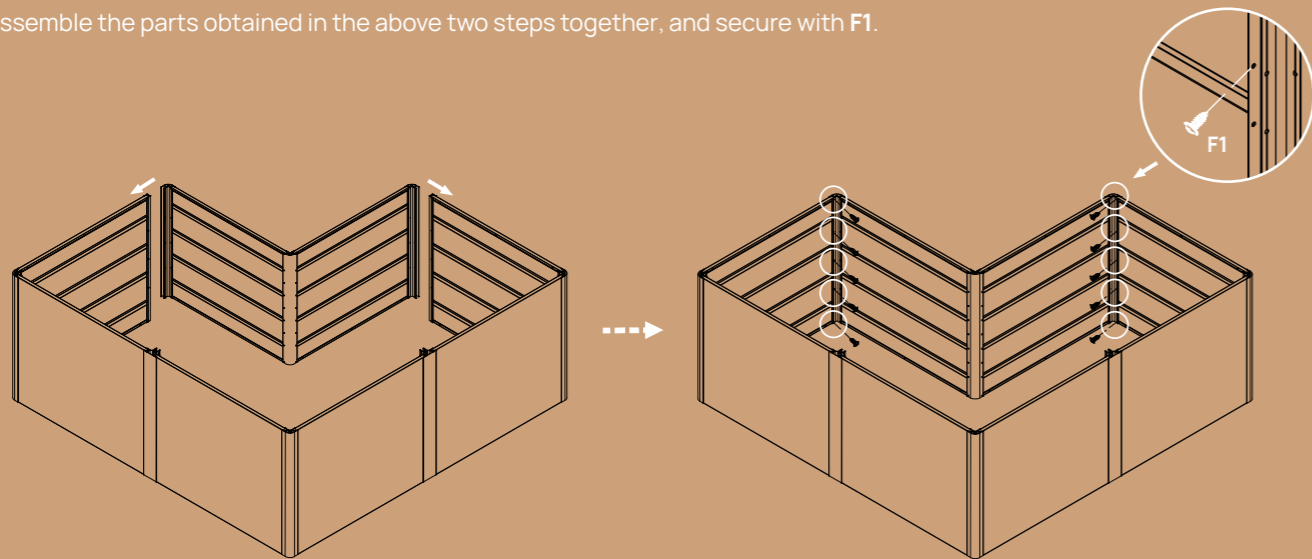
Link P4 and C4/C5, secure with F1.



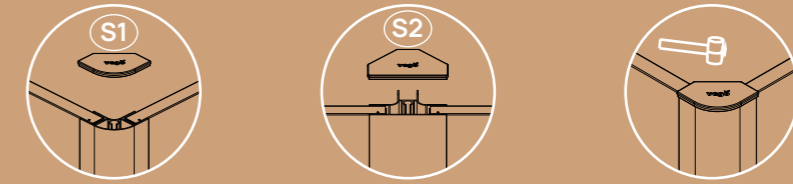
Link P4 and C4/C6, secure with F1.



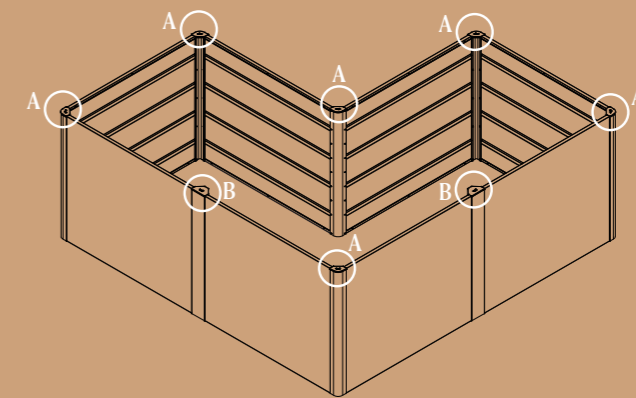
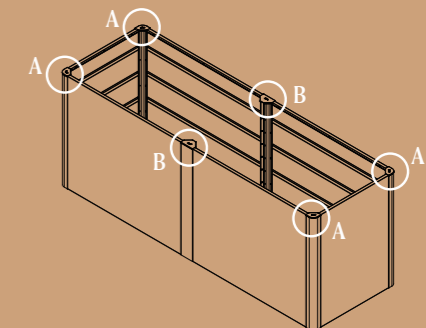
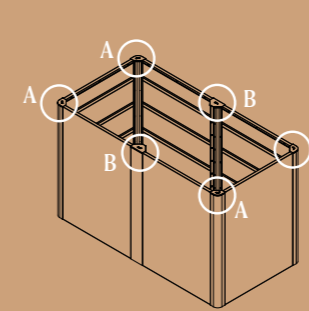
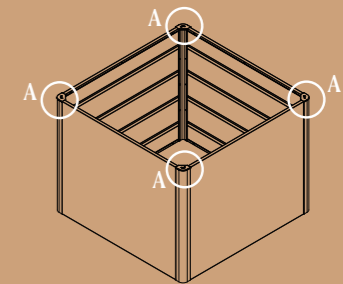
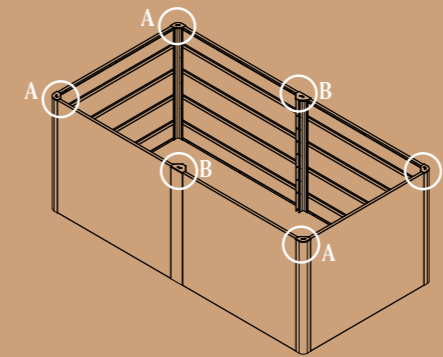
Assemble the parts obtained in the above two steps together, and secure with F1.



4 Step 4: Insert S1/S2 into C4/C5/C6 and tamp it down with a rubber hammer.

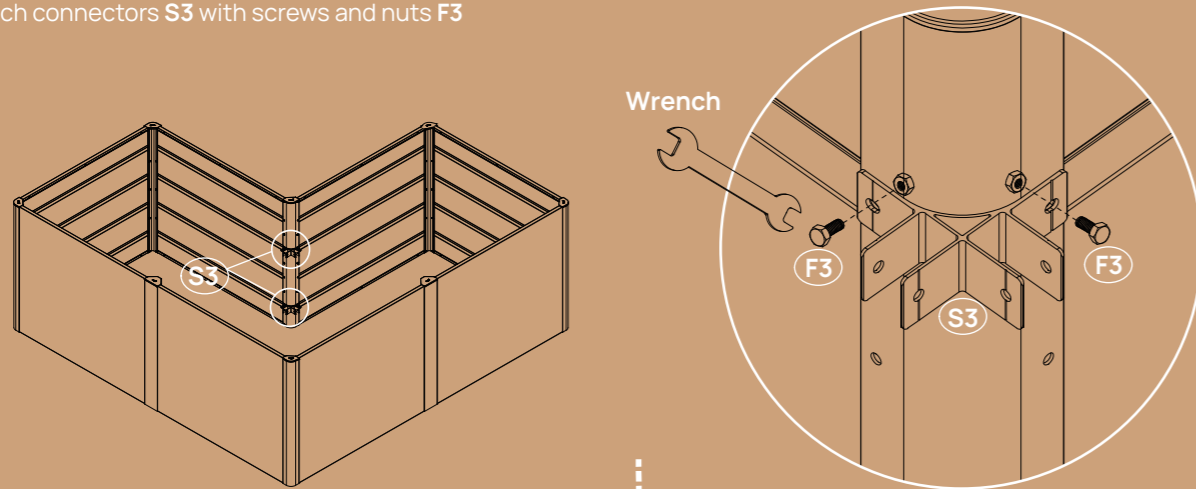


A **B**

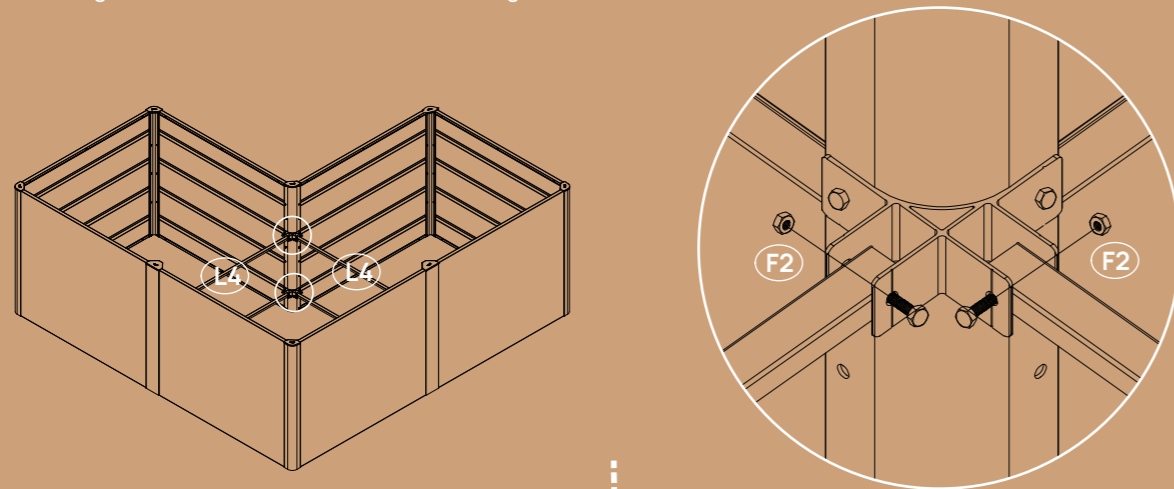


5 Step 5: Install S3 in the location shown in the picture

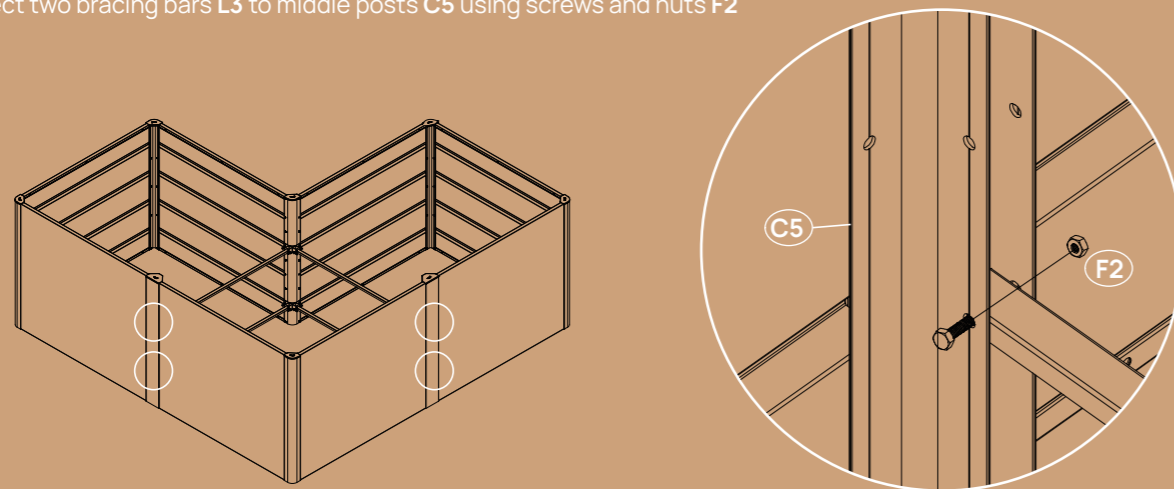
Attach connectors S3 with screws and nuts F3



Join two bracing bars L4 with the connectors S3 using screws and nuts F2



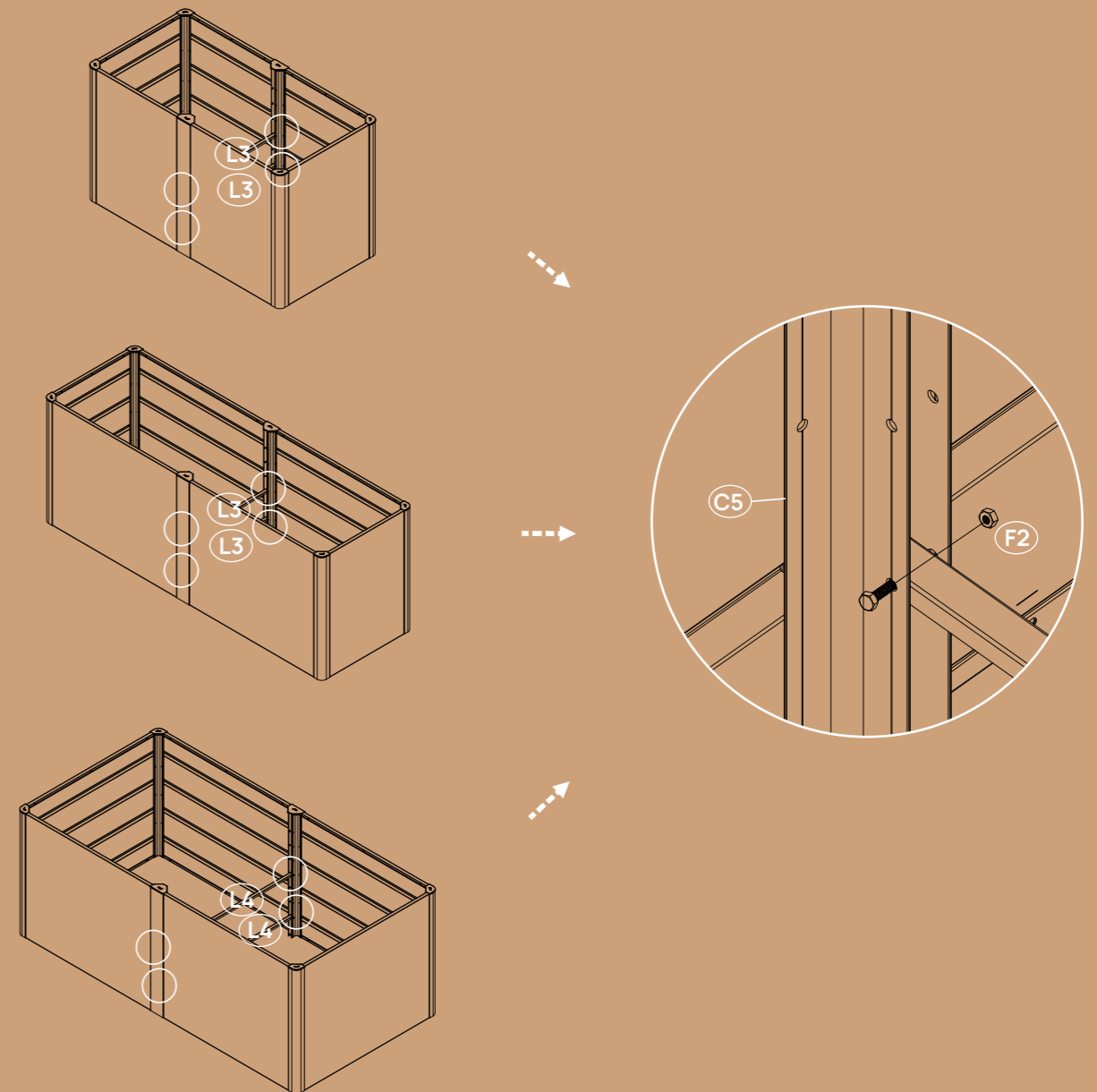
Connect two bracing bars L3 to middle posts C5 using screws and nuts F2



For L-shape Modern bed, position bracing bars from the top at level 4 and 8 bolt holes
For regular-shape Modern bed, position bracing bars from the top at level 5 and 8 bolt holes

6 Step 6: Connect bracing bars

Connect 24" bracing bars L3 and 39" bracing bars L4 to the middle post C5 with screws and nuts F2



7 Step 7: Remove plastic film from back of aluminum logo and apply to your new Modern bed!

