

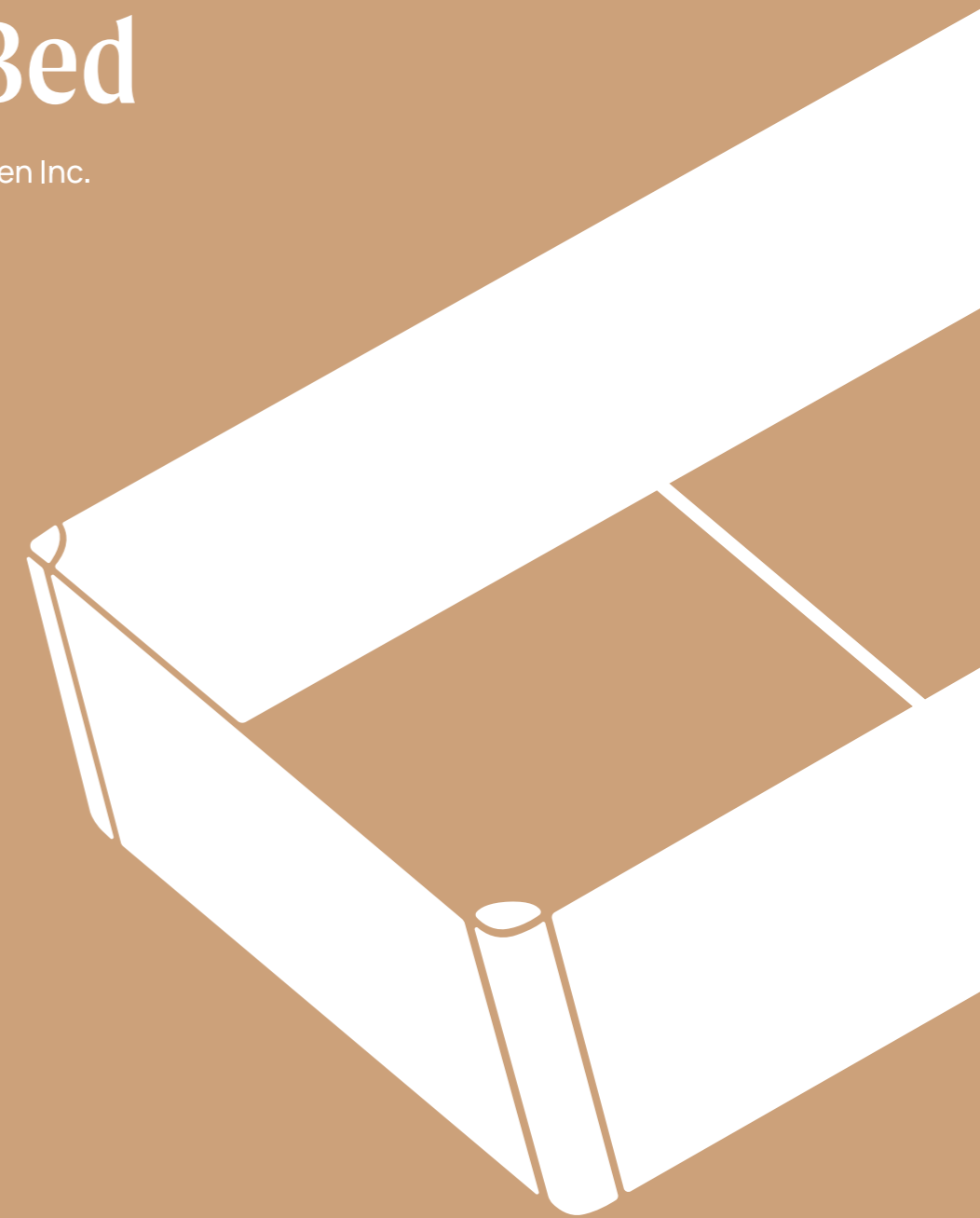


# General Manual for 17" Tall Modern Metal Raised Garden Bed

Copyright 2023 Vego Garden Inc.



Room to grow.



## Contact Us



+1 (866) 597-1888



Vego Garden Academy



hello@vegogarden.com



vegogarden.com

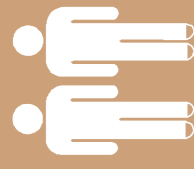


vego\_garden



Tomball, TX 77377

To avoid scratching exterior paint, assemble on a soft surface such as lawn, mat or carpet  
Character to all headers referring to 17" Tall

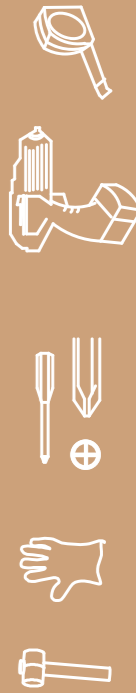


We recommend two people and approximately one hour for assembly

## Parts List

Product	17 Tall Modern 27" x 53"	17 Tall Modern 27" x 83"	17 Tall Modern 42" x 42"	17 Tall Modern 42" x 83"	17 Tall Modern L Shape	17" Tall 41" Long Extension Kit
<b>Accessories</b>						
24" x 17" P1: Twin-wall panels	X6	X2				
39" x 17" P2: Twin-wall panels		X4	X4	X6	X8	X2
17" x 2.5" x 2.5" C1: Corner Post	X4	X4	X4	X4	X5	
17" x 2.5" x 4" C2: Middle Post	X2	X2		X2	X2	X2
17" x 2.5" x 2.5" C3: L Shape Corner Post					X1	
24" Long L1: Bracing bar	X1	X1				
39" Long L2: Bracing bar					X1	
S1: Aluminum Cap	X4	X4	X4	X4	X6	
S2: Aluminum Cap	X2	X2		X2	X2	X2
S3: Connector					X1	
F1: Screw	X36	X36	X24	X36	X48	X12
F2: Screw & Nut	X2	X2		X2	X4	X2
F3: Screw & Nut					X2	
Aluminum Logo	X2	X2	X2	X2	X2	
Wrench					X2	

Additional tools may be required

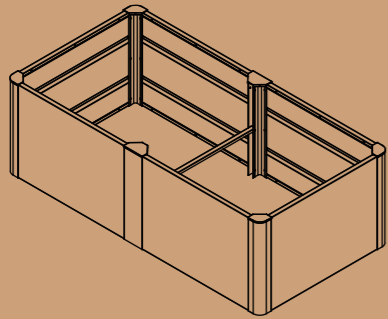


\*Use heavy duty gloves when handling steel sheets and flashing

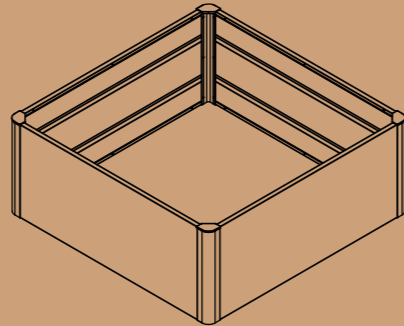


Assembly Videos

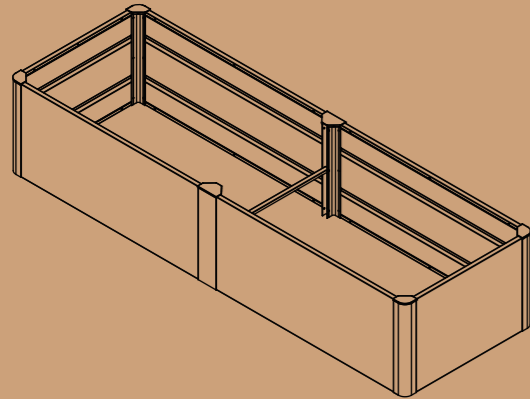
# Configurations



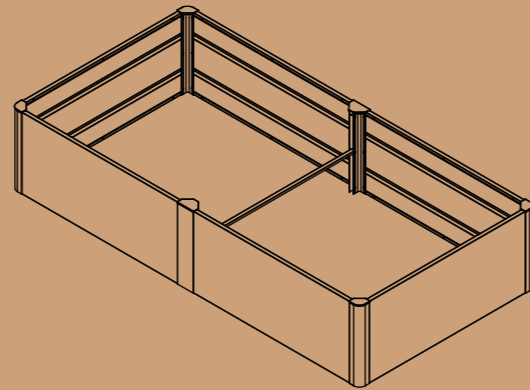
17" Tall Modern 27" x 53"  
Metal Raised Garden Bed



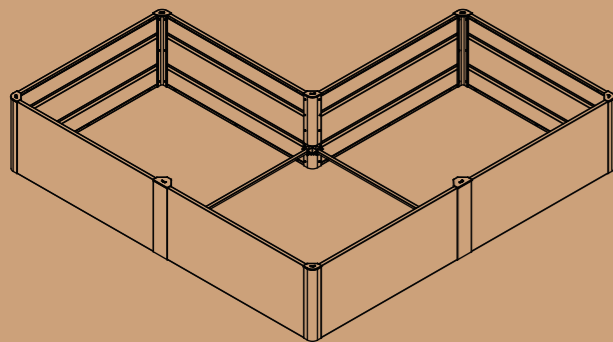
17" Tall Modern 42" x 42"  
Metal Raised Garden Bed



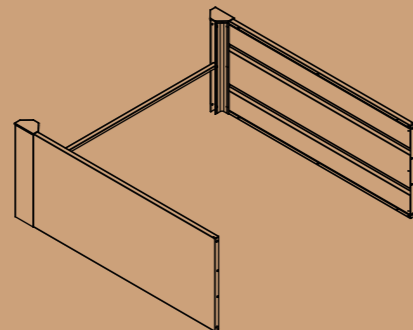
17" Tall Modern 27" x 83"  
Metal Raised Garden Bed



17" Tall Modern 42" x 83"  
Metal Raised Garden Bed



17" Tall Modern L Shape  
Metal Raised Garden Bed



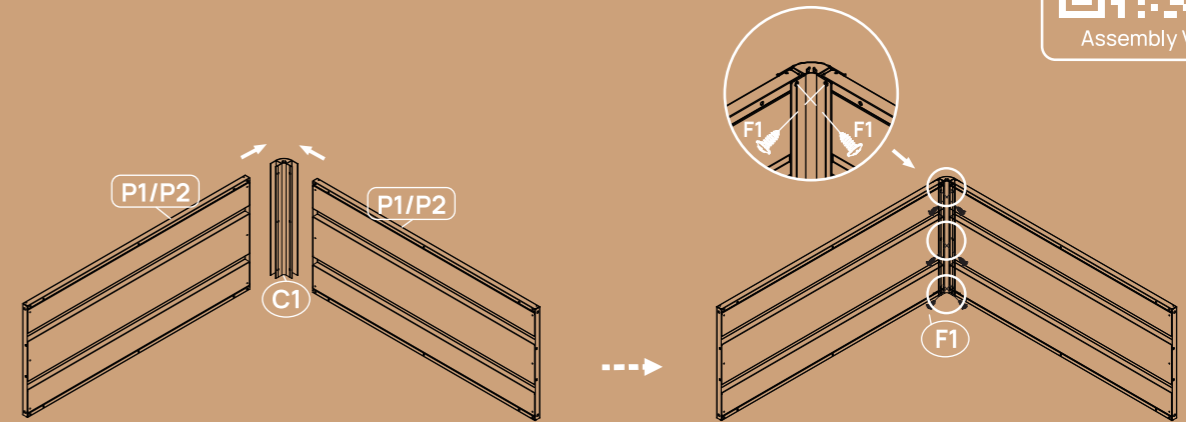
17" Tall Modern Garden Bed  
Extension Kit 41" Long

# Assembly Guide



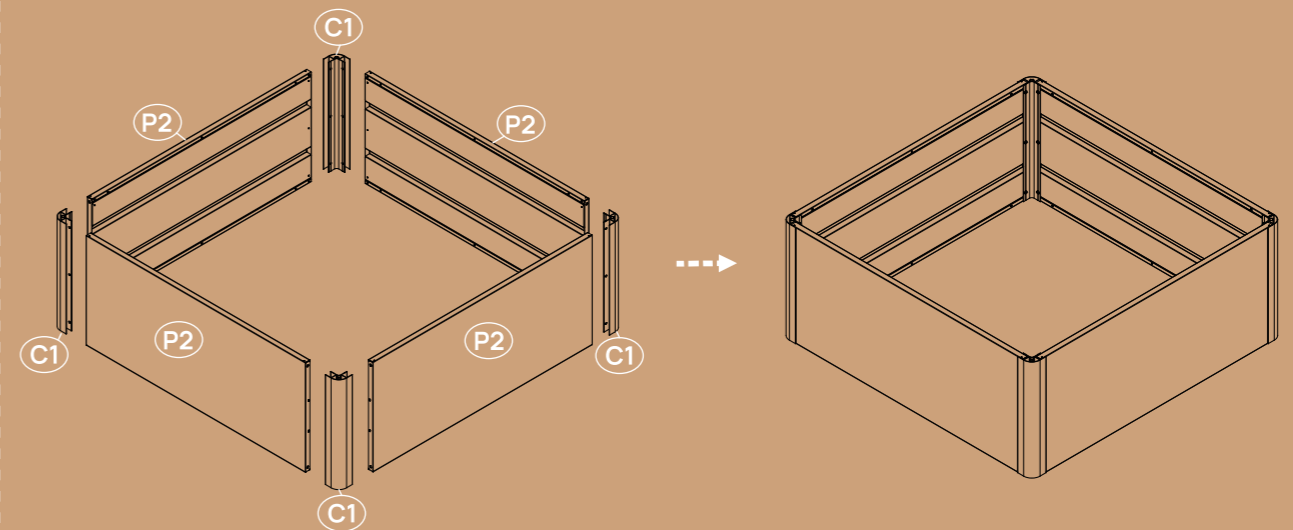
Assembly Videos

1 Step 1: Link P1/P2 and C1, secure with F1.

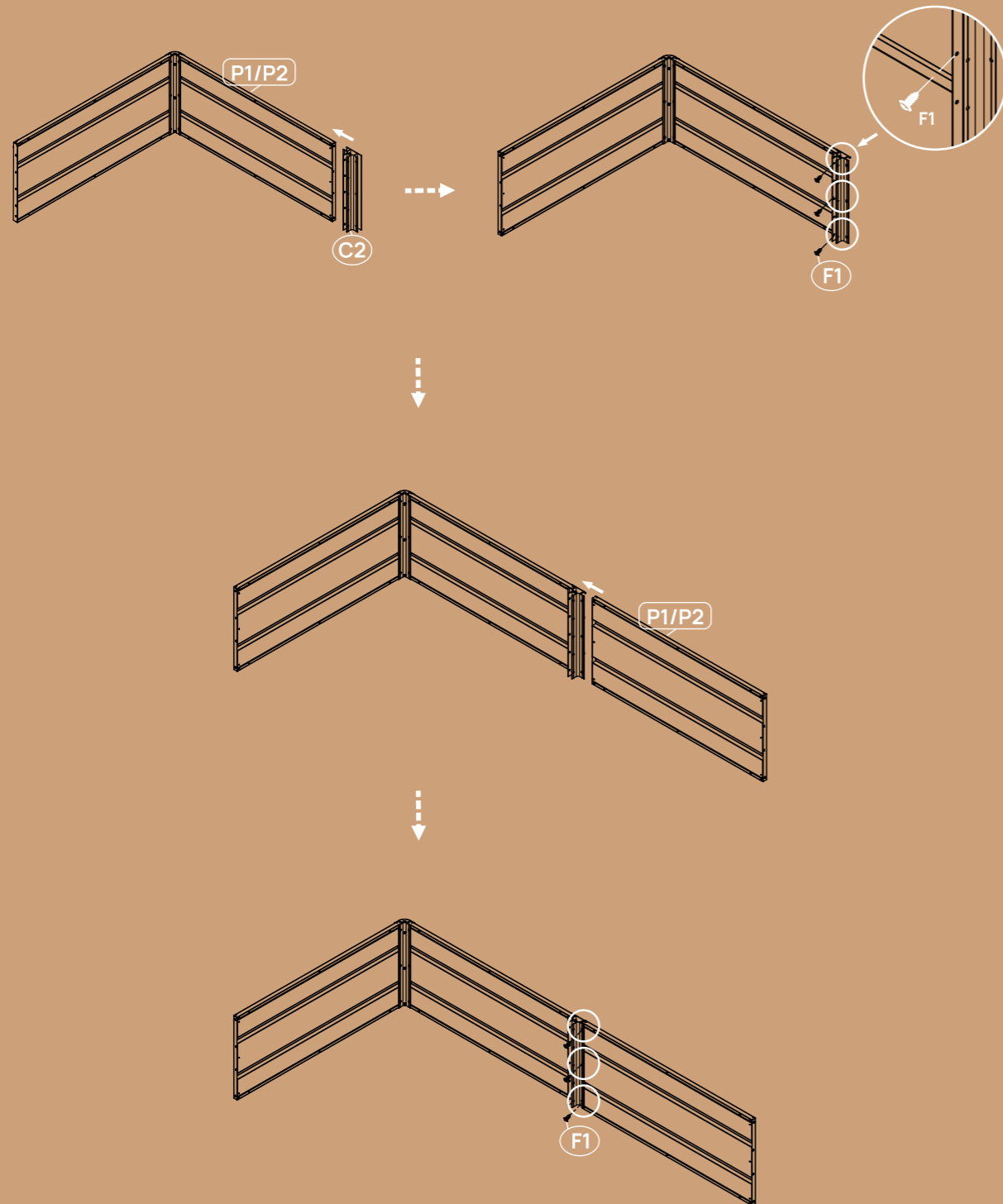


Using the same steps, you can get 17" Tall Modern 42" x 42".

17" Tall Modern 42" x 42" Metal Raised Garden Bed

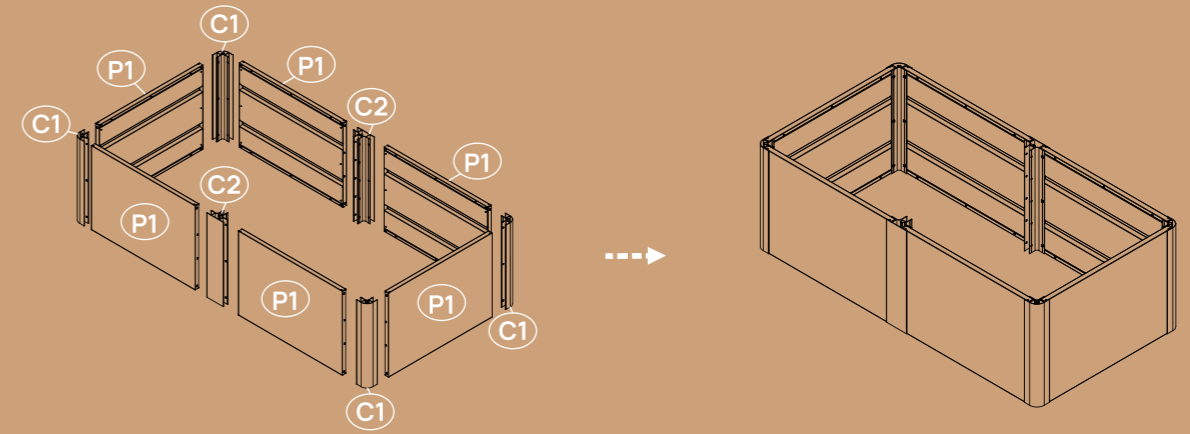


**2** Step 2: Link P1/P2 and C2, secure with F1.

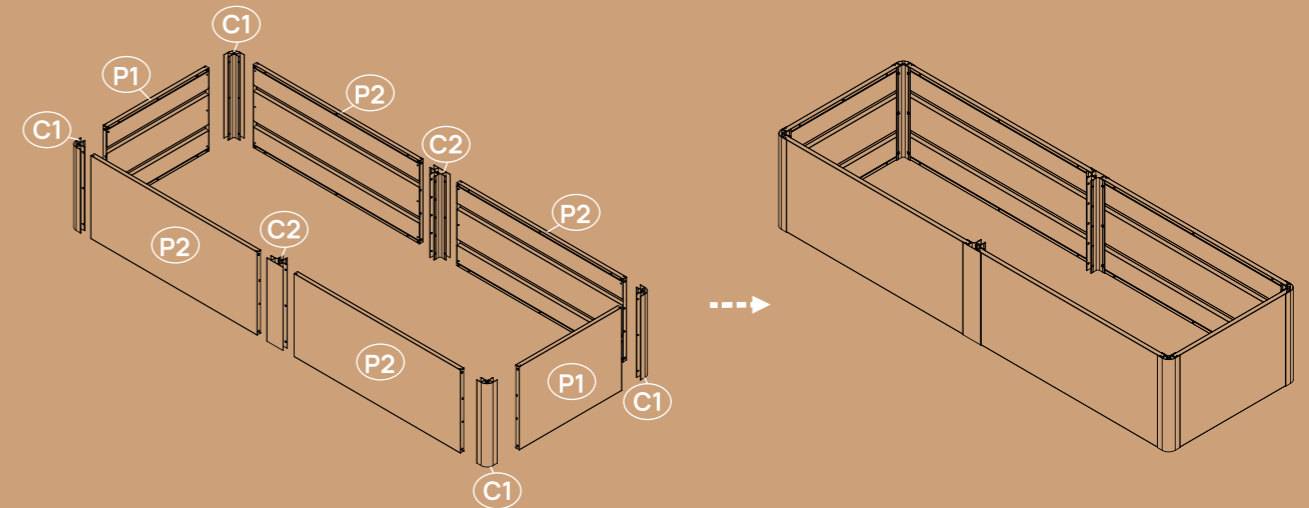


Using the same steps, you can get the following models.

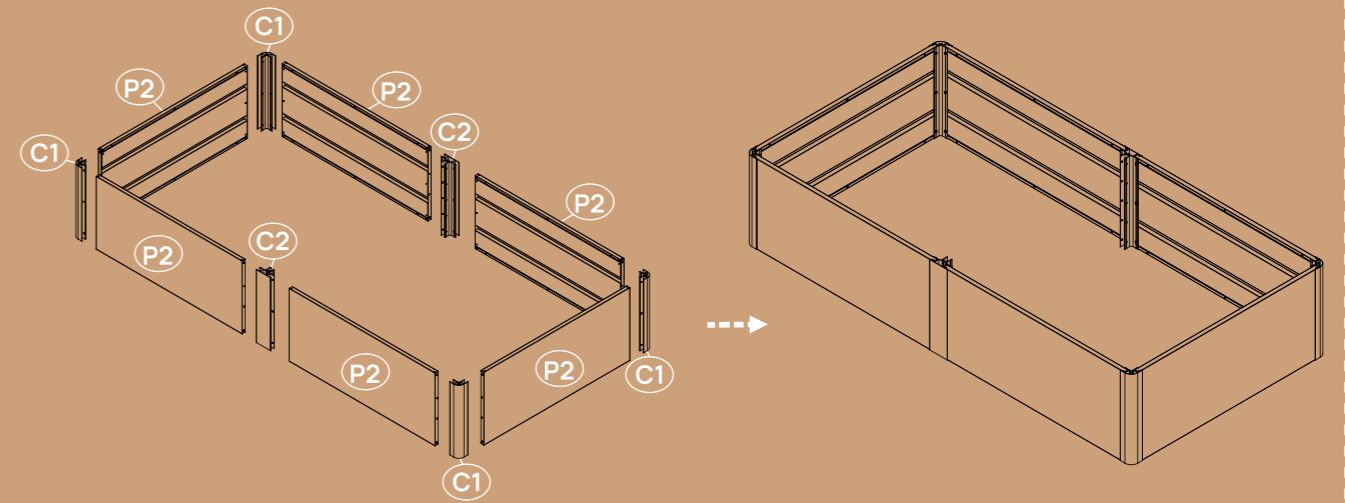
**17" Tall Modern 27" x 53" Metal Raised Garden Bed**



**17" Tall Modern 27" x 83" Metal Raised Garden Bed**

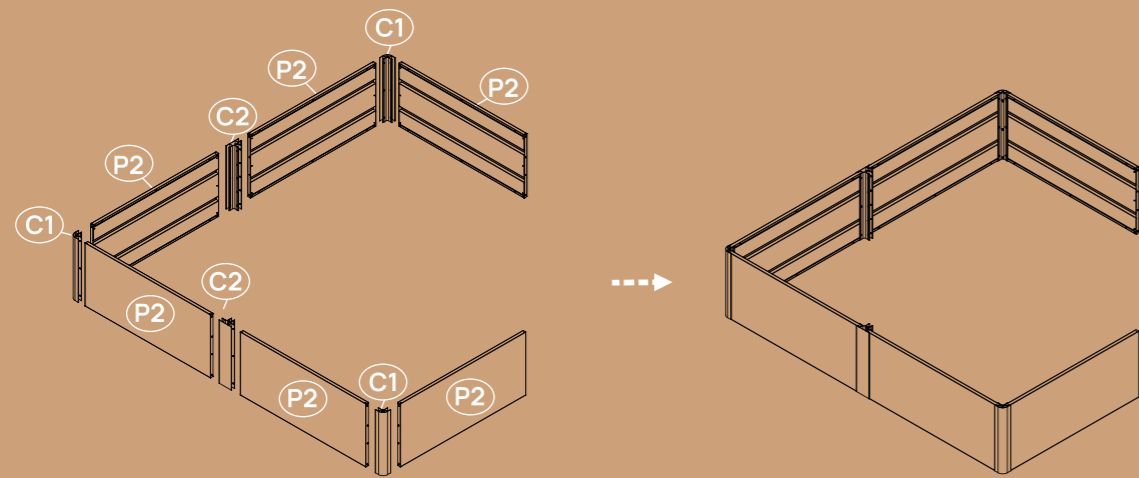


**17" Tall Modern 42" x 83" Metal Raised Garden Bed**

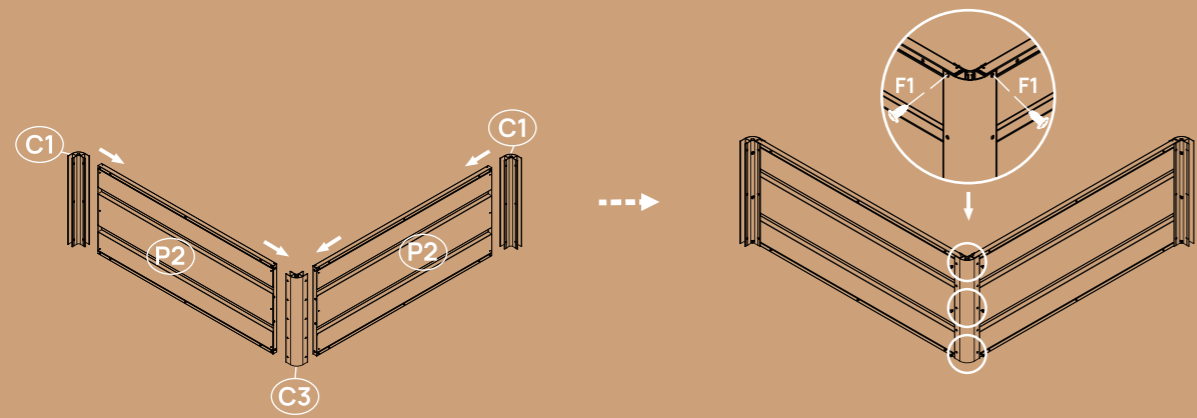


**3** Step 3: Only for 17" Tall Modern L Shape Metal Raised Garden Bed

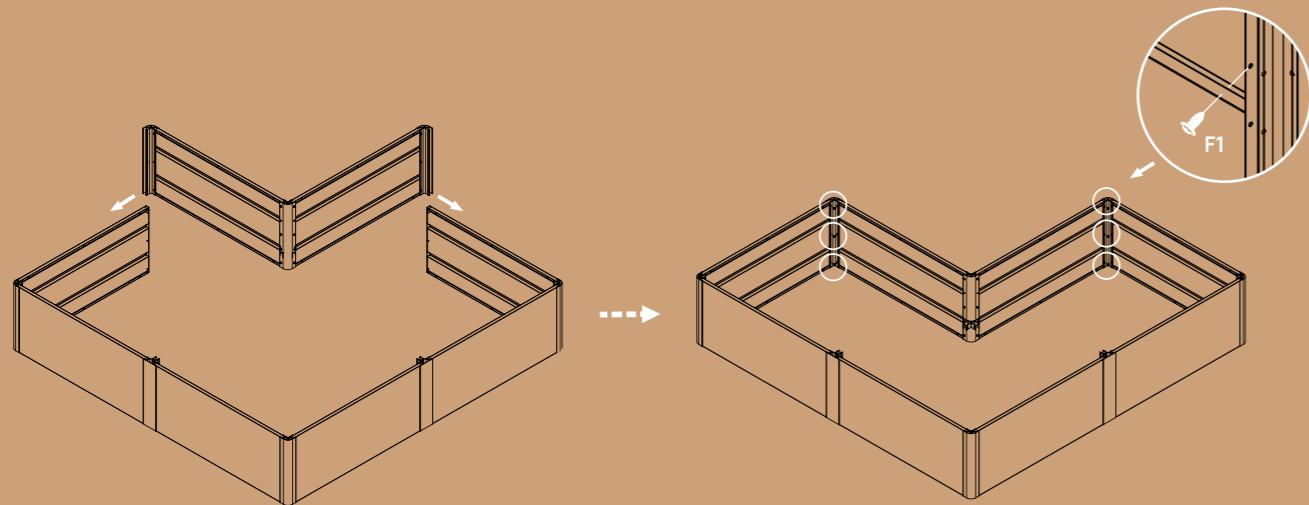
Link P2 and C1/C2, secure with F1.



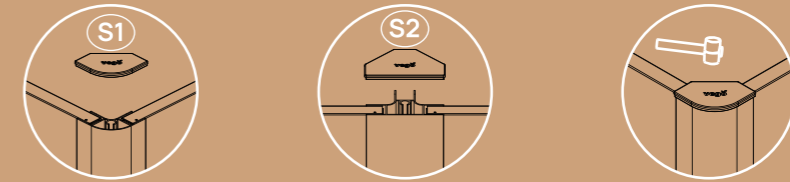
Link P2 and C1/C3, secure with F1.



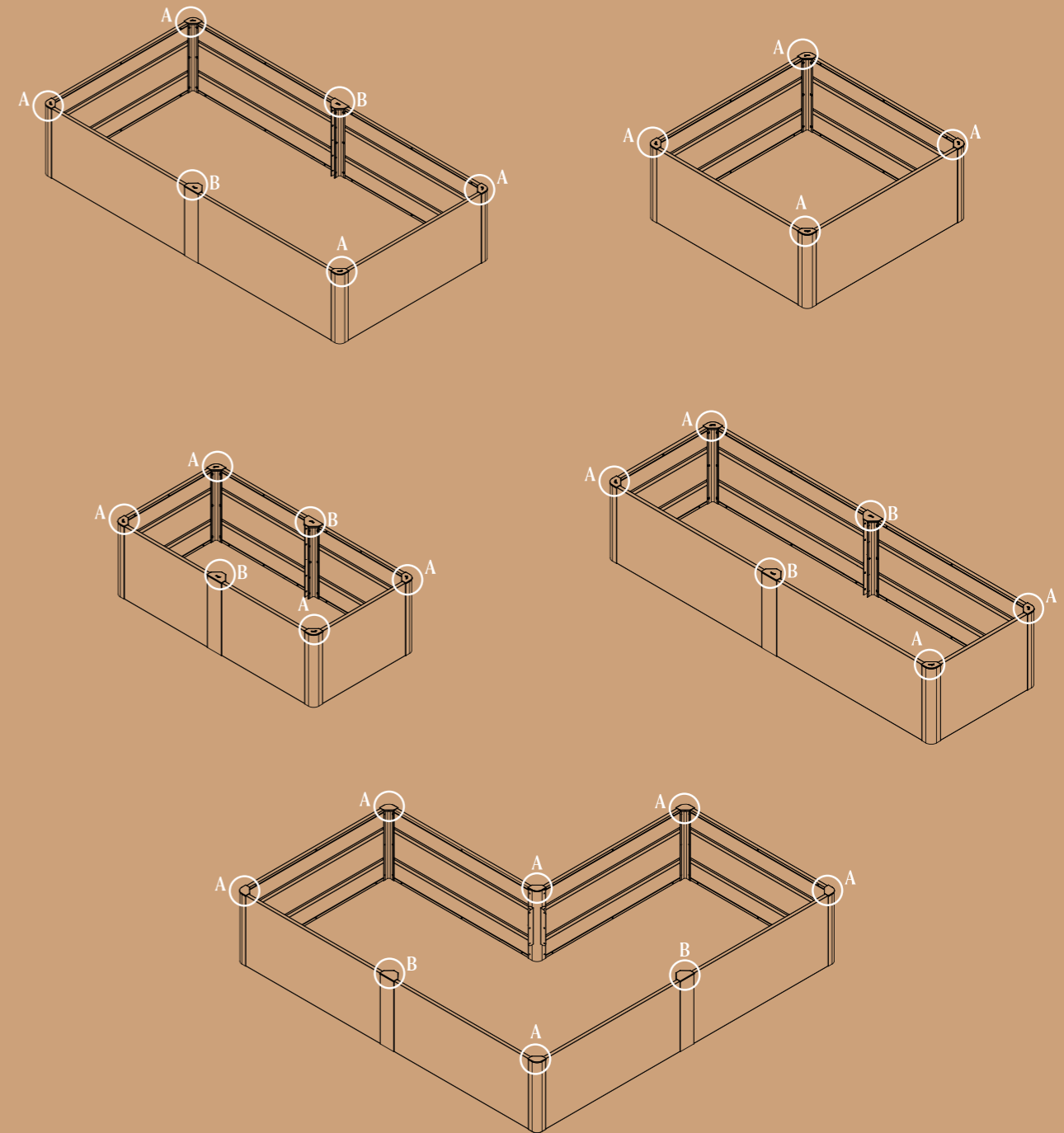
Assemble the parts obtained in the above two steps together, and secure with F1.



**4** Step 4: Insert S1/S2 into C1/C2/C3 and tamp it down with a rubber hammer.

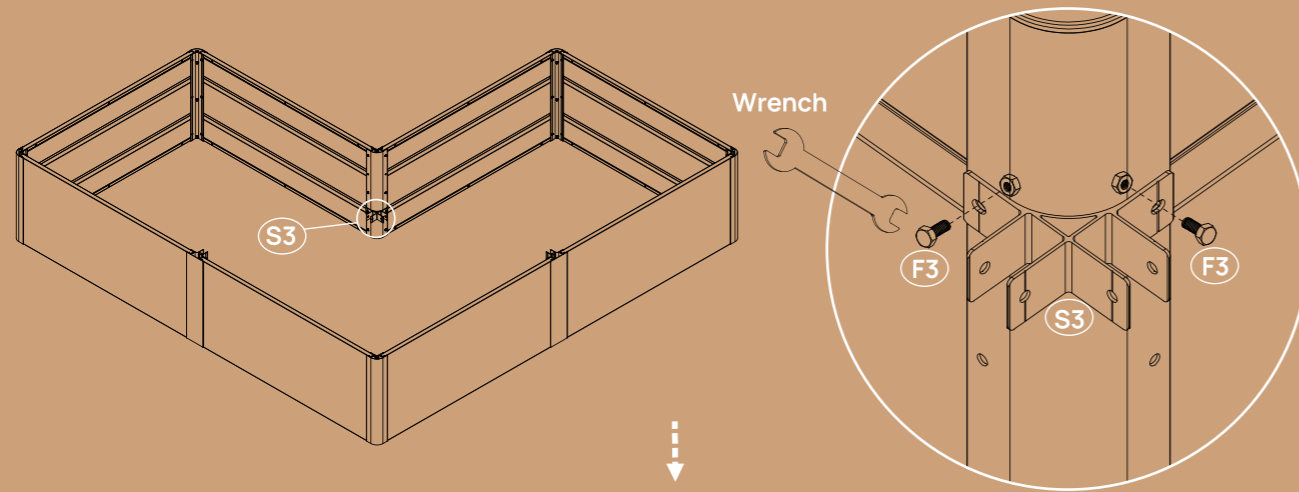


**A** **B**

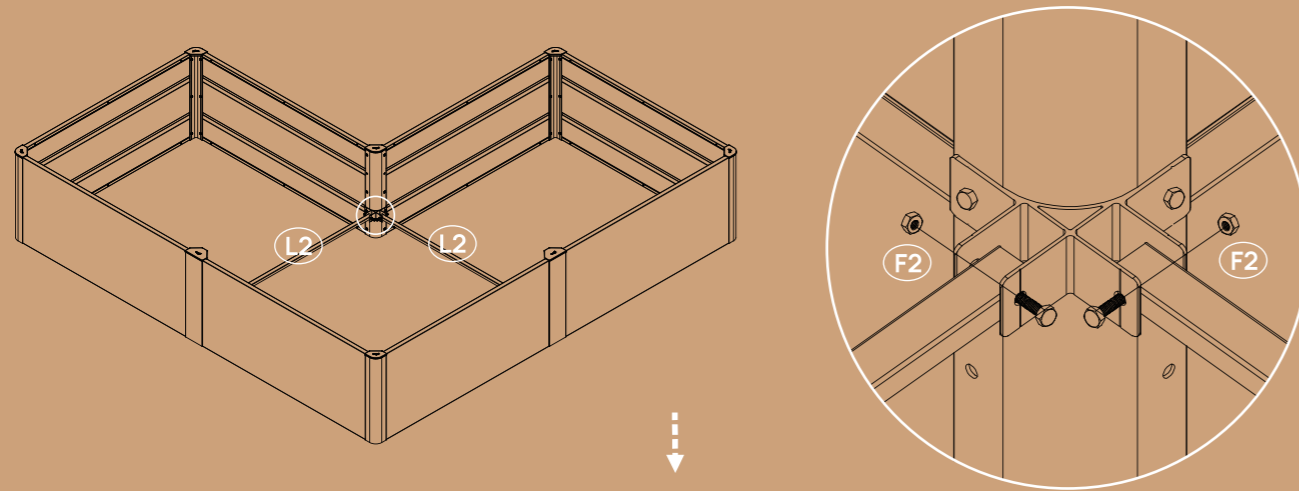


**5** Step 5: Only for 17" Tall Modern L Shape Metal Raised Garden Bed

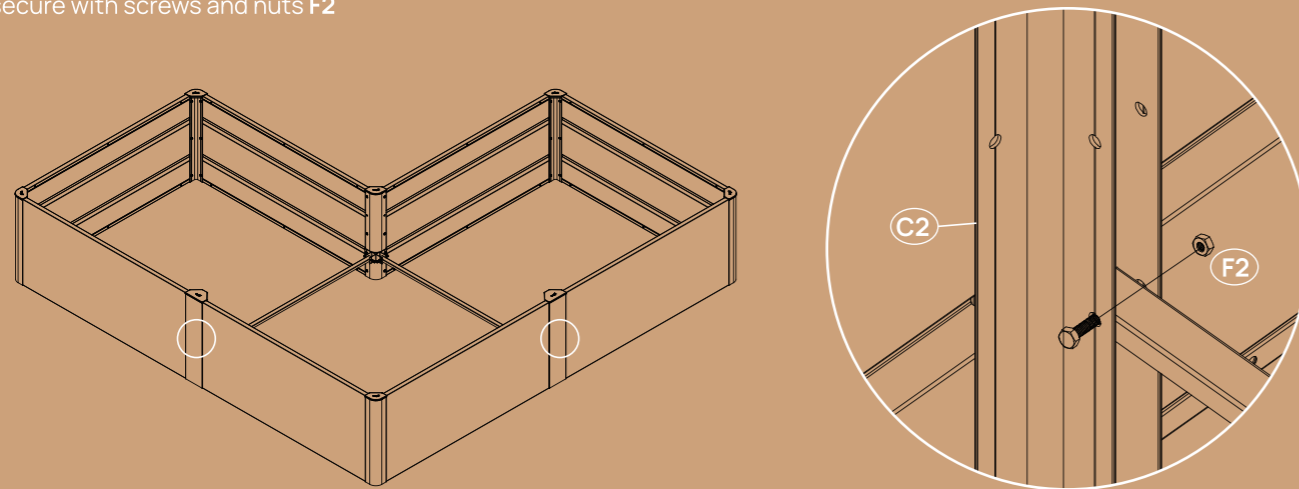
Attach connector **S3** with screws and nuts **F3**, tighten with wrench



Join two bracing bars **L2** to the connector **S3** using screws and nuts **F2**

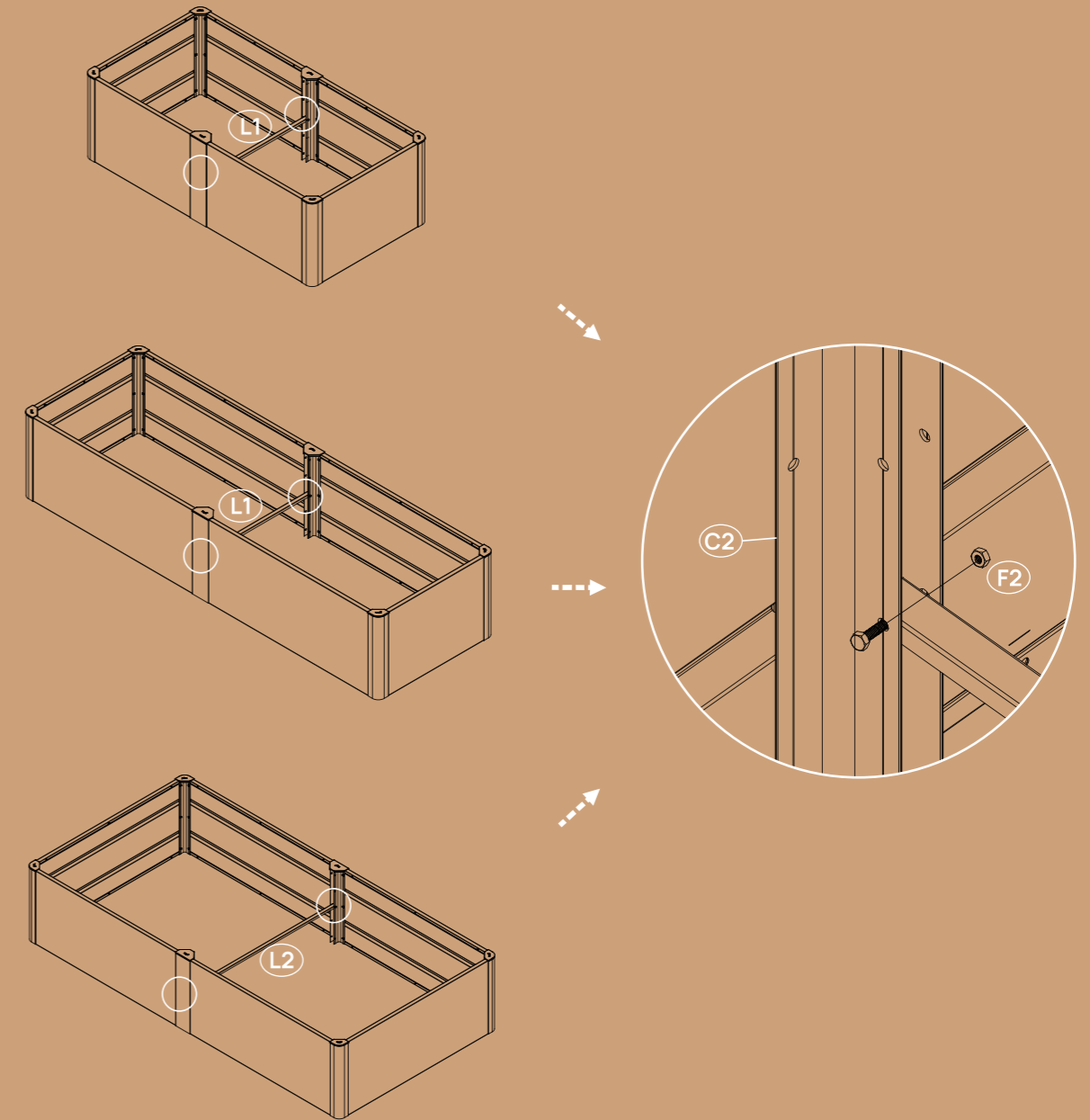


Connect the opposite end of bracing bars **L2** to the two middle posts **C2** and secure with screws and nuts **F2**



\*For L-shape Modern bed, position bracing bar from the top at level 4 bolt hole  
\*For regular-shape Modern bed, position bracing bar from the top at level 3 bolt hole

**6** Step 6: Connect 24" bracing bar **L1** OR the 39" bracing bar **L2** to the middle post **C2** with screws and nuts **F2**



**7** Step 7: Remove plastic film from back of aluminum logo and apply to your new Modern bed!

