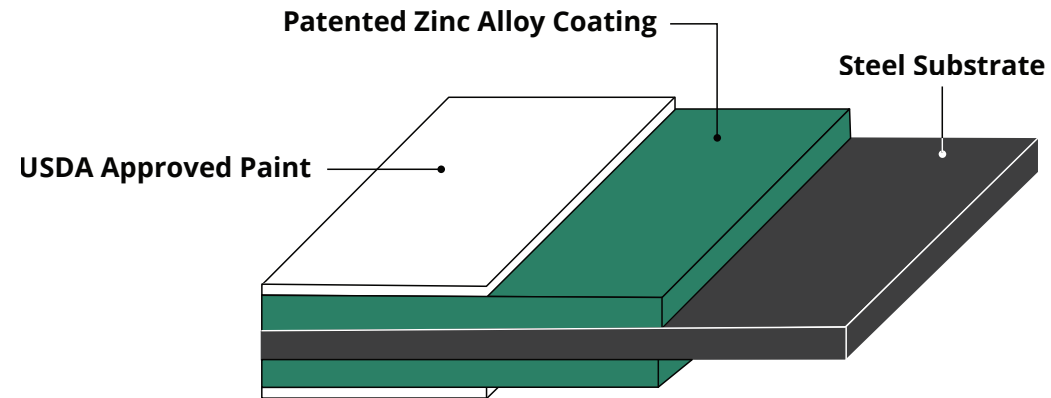


Better Material

VZ 2.0: The Next Generation Garden Bed Material

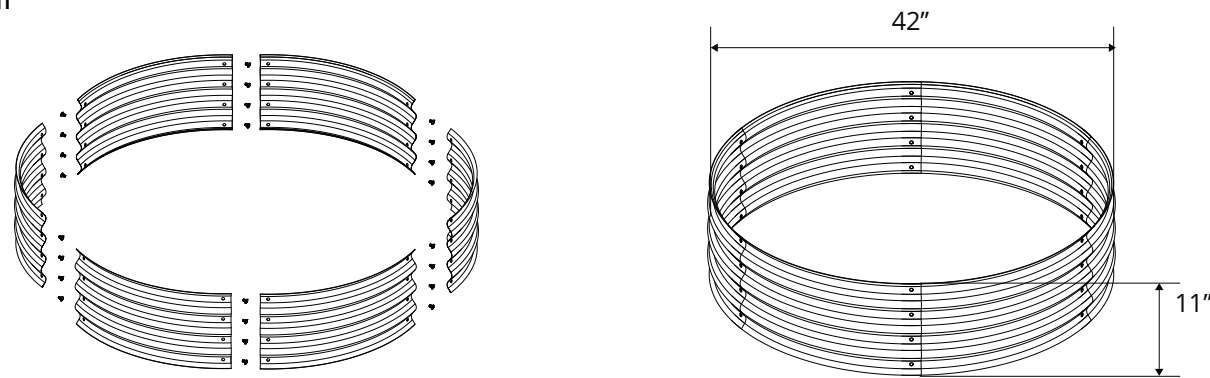
VZ 2.0 is a specialized metal developed by Vego Garden to perform well in outdoor garden environments. VZ 2.0 is made of a highly corrosion-resistant steel substrate, coated in a specialized layer of Zinc, Aluminum, and Magnesium. The Zinc and Magnesium work together to form a seal over the steel substrate, protecting it from rust and corrosion.



- Corrosion Resistance: Lab tests prove VZ 2.0 is more durable than Aluzinc or Galvanized Steel
- Superior Heat Reflection: Maintain optimal soil & root temperatures
- Healthy Soil: Lab tests verify no harmful substance leaching

Dimensions

Diameter: 42"
Height: 11"



Contact Us

+1 (866) 597-1888

www.vegogarden.com

hello@vegogarden.com

Vego Garden-Raised Beds

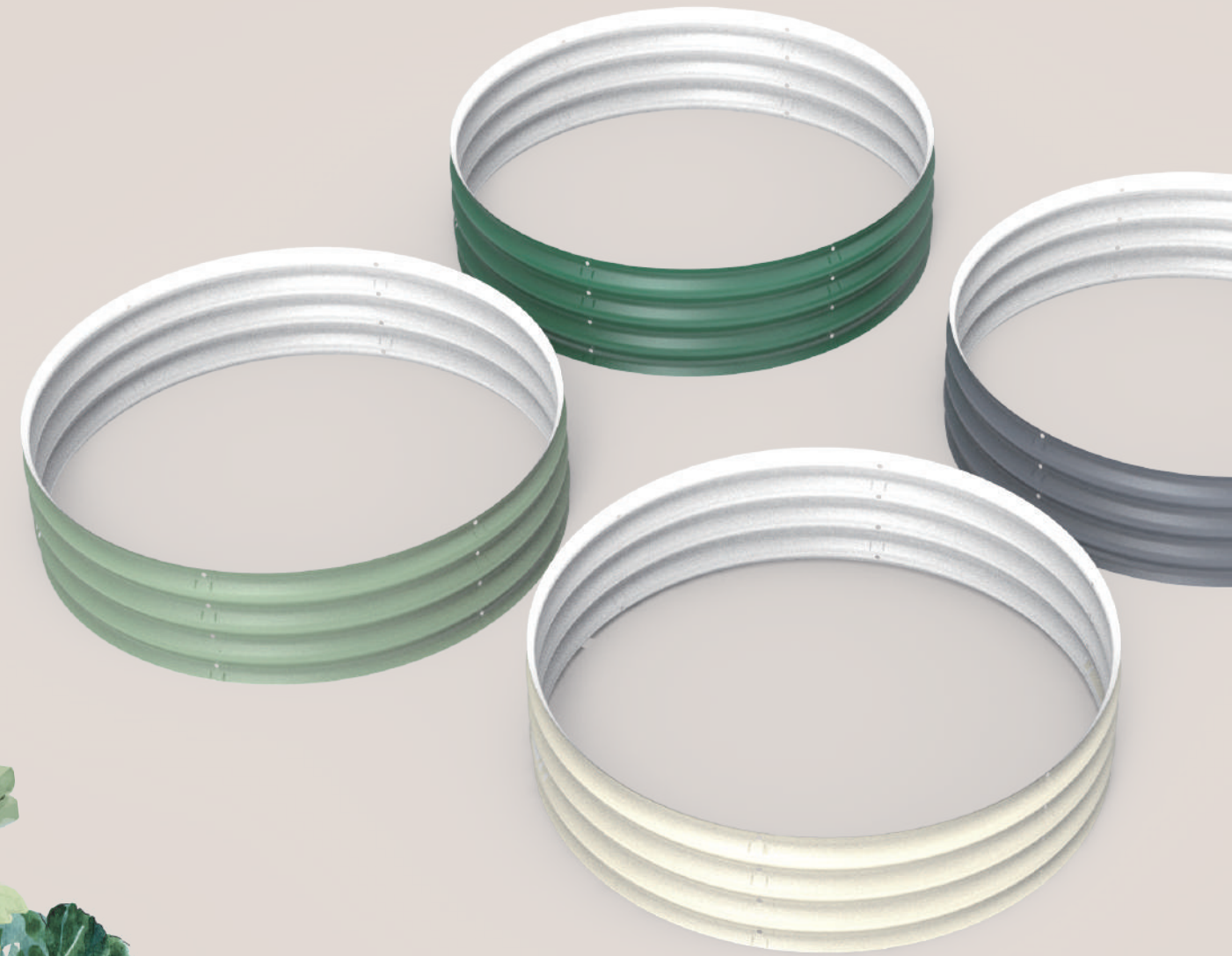
[vegogarden](https://www.instagram.com/vegogarden)

Houston, TX 77032



vegogarden®

11 Inch Tall Round Metal Raised Garden Bed



CAUTION: Please be aware the metal panels may have sharp edges that could cause injury. The use of protective equipment such as gloves and closed toe shoes is recommended.

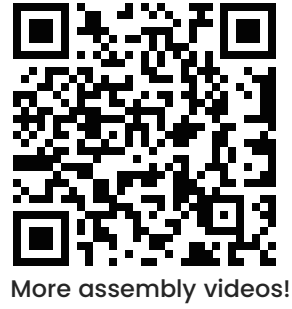
CHOKING HAZARD: Small parts. Keep product away from children.

Parts List

Assembly Guide www.vegogarden.com/assembly

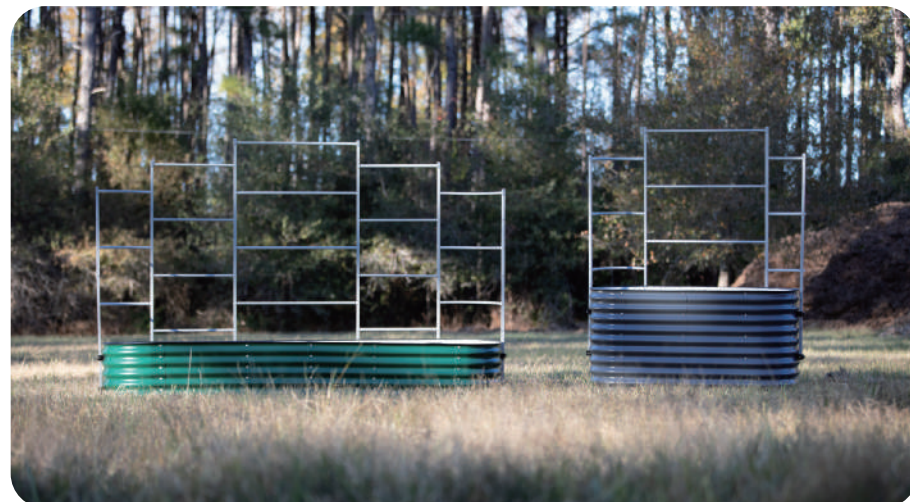
Curved Panel x 6 Safety Edging x 1 Bolt x 24

Standard Flange Nut x 12 Flange Cap Nut x 12 L Wrench x 1



Level up your garden!

<https://vegogarden.com/collections/add-ons>



1 Step 1

Remove the protective film from all panels, and lay panels on a flat surface to create the round shape.

2 Step 2

Cap nuts are used for the top two rows, standard nuts are used for the lower two rows. Assemble all curved panels. First, attach all bolts and nuts loosely, then tighten using the wrench or with a screwdriver and cordless drill.

3 Step 3

Standard Flange Nut Flange Cap Nut

Make sure to tighten each nut and bolt to support the garden raised bed.

4 Step 4

Push the safety edging along the top rolled steel edge, and cut the extra length off.

5 Step 5

Congratulations on completing assembly! We are sure you will grow amazing memories in your garden bed!

6 Step 6