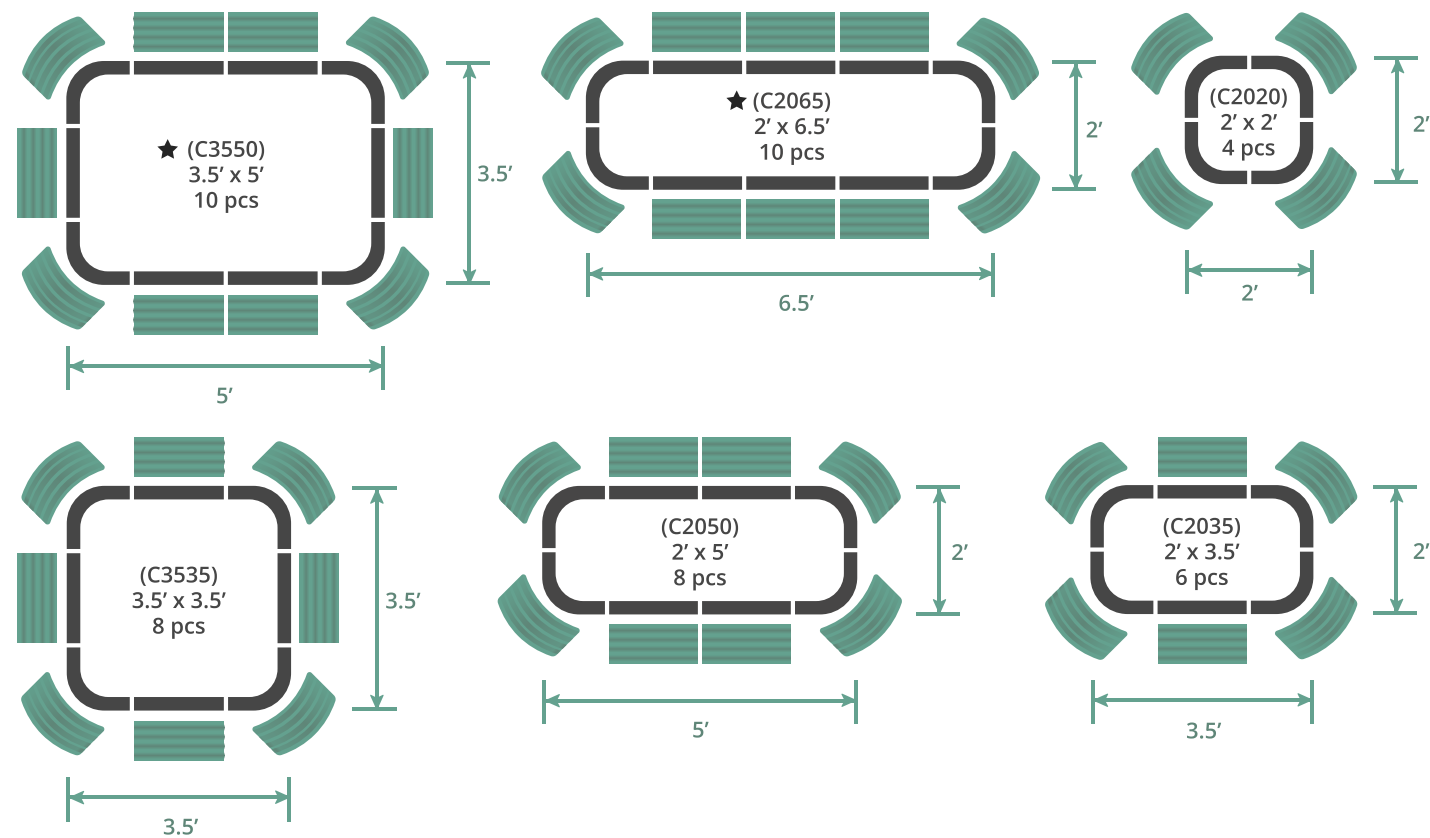


Configurations ★ Popular Configuration



With only one kit, you can assemble your Vego modular raised bed into 1 of 6 different configurations to fit any backyard space. From the classic 3.5' x 5' to the long 6.5' x 2', there's something for every garden space.
 Note: Due to the manufacturing process raised bed sizing may vary +/- 2 inches.

Dimensions

Configurations	Length (ft)	Width (ft)	Height (in)	Cubic Feet	Cubic Yards
★ C3550	5	3.5	11	16	0.6
★ C2065	2	6.5	11	12	0.4
C3535	3.5	3.5	11	11.2	0.4
C2050	2	5	11	9	0.3
C2035	3.5	2	11	6.4	0.2
C2020	2	2	11	3.7	0.1

Contact Us

+1 (866) 597-1888

hello@vegogarden.com

vegogarden

www.vegogarden.com

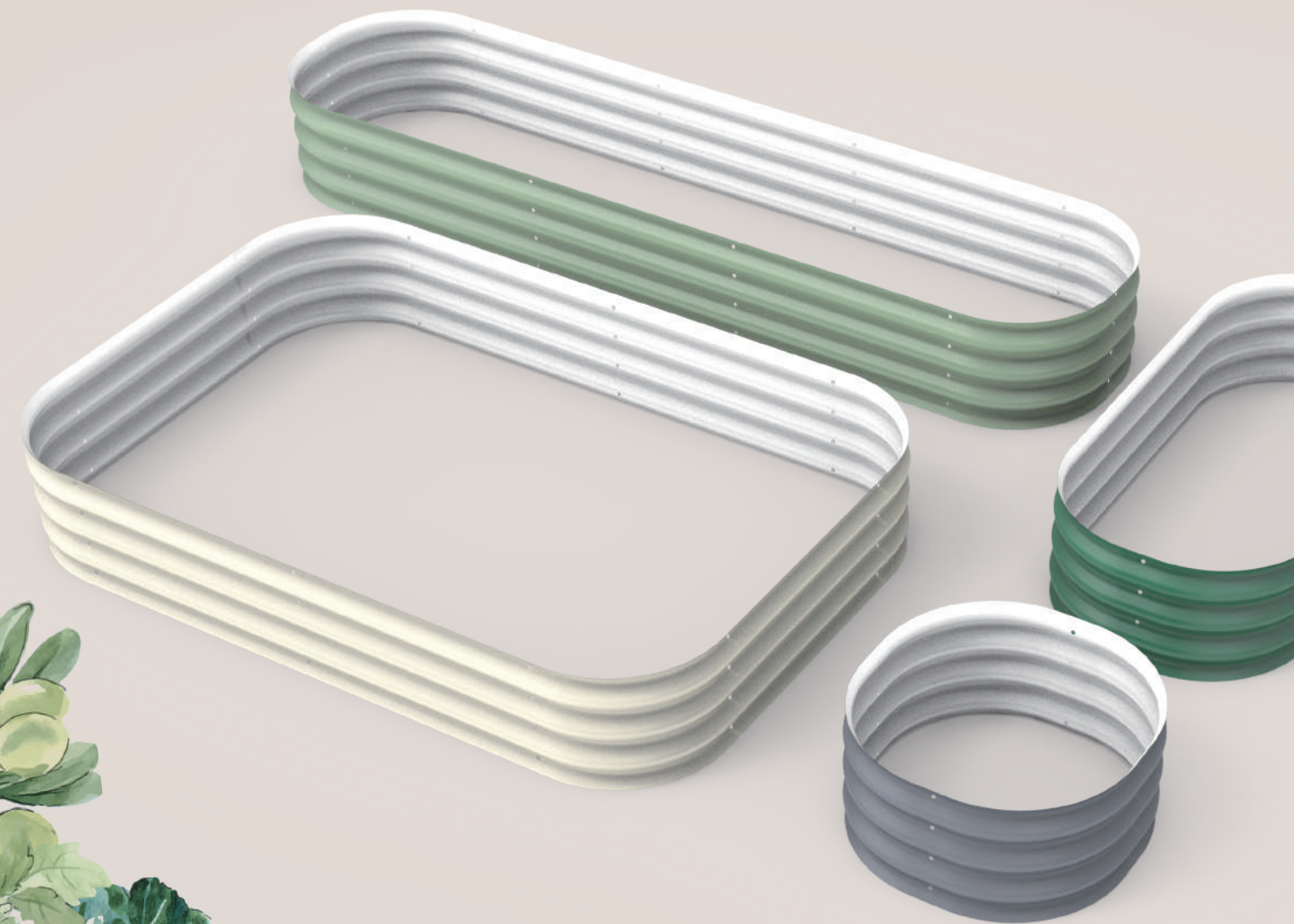
Vego Garden-Raised Beds

Houston, TX 77032



vegogarden®

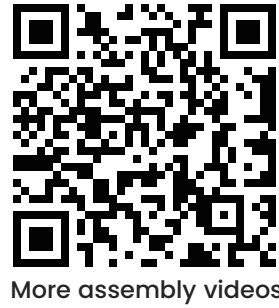
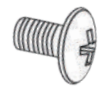
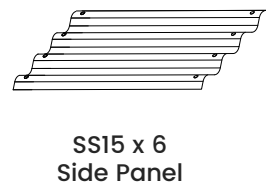
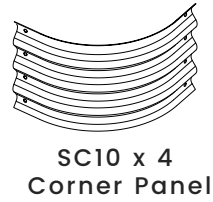
11 Inch Tall 6 In 1 Modular Metal Raised Bed



CAUTION: Please be aware the metal panels may have sharp edges that could cause injury. The use of protective equipment such as gloves and closed toe shoes is recommended.

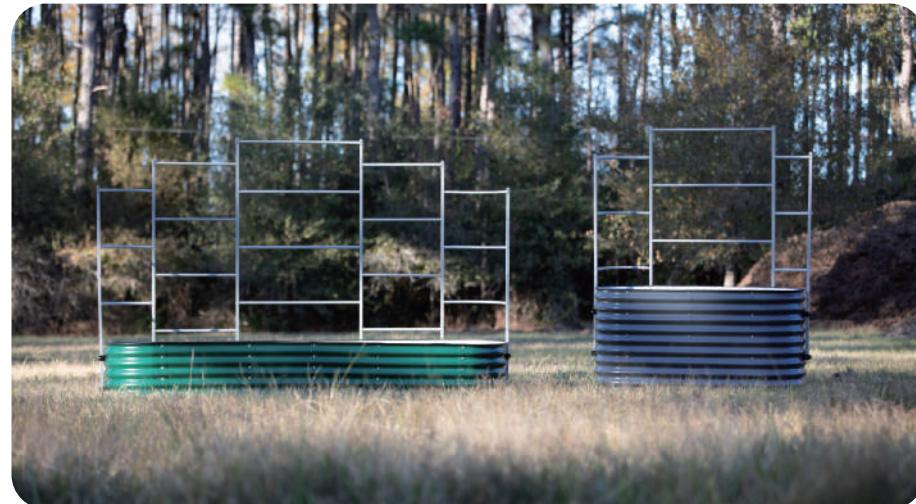
CHOKING HAZARD: Small parts. Keep product away from children.

Parts List



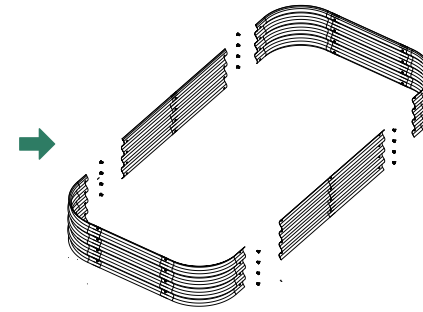
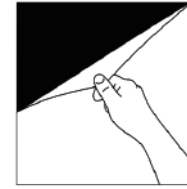
Level up your garden!

<https://vegogarden.com/collections/add-ons>



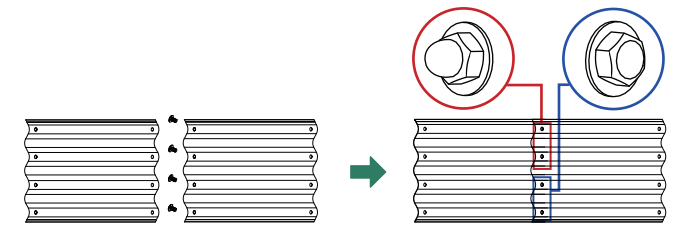
Assembly Guide www.vegogarden.com/assembly

1 Step 1



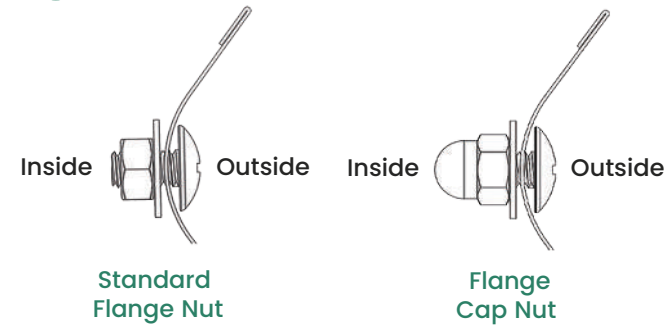
Remove the protective film from all panels, and lay panels on a flat surface according to the configuration you choose.

2 Step 2



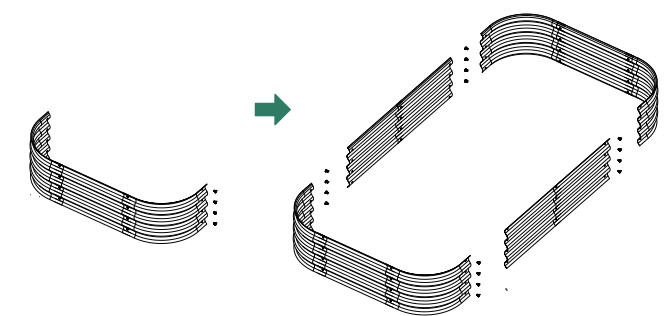
Cap nuts are used for the top two rows, standard nuts are used for the lower two rows. Assemble all straight panels. First, attach all bolts and nuts loosely, then tighten using the wrench or with a screwdriver and cordless drill.

3 Step 3



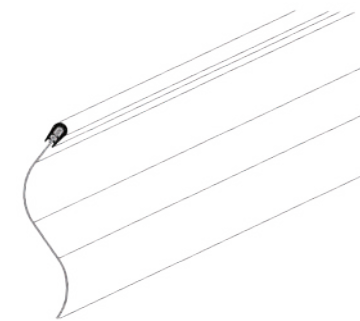
Make sure to tighten each nut and bolt to support the raised garden bed.

4 Step 4



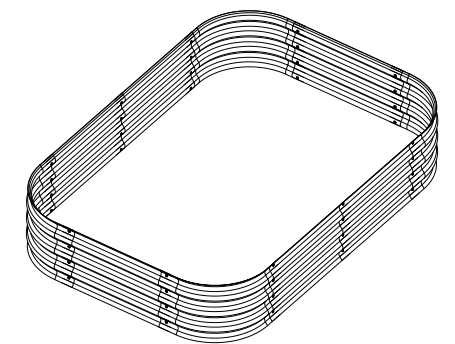
After straight panels are assembled, attach corner panels to straight panels using the same method. Make sure corner panels are attached outside of the straight panels.

5 Step 5



Push the safety edging along the top rolled steel edge, and cut the extra length off.

6 Step 6



Congratulations on completing assembly! We are sure there are more configurations that you can build with your great imagination!