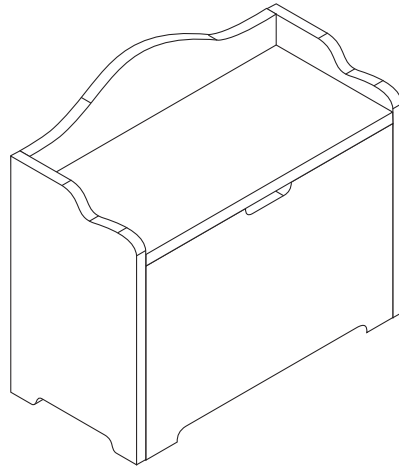




Dibsies Kids Toy Box Assembly Instructions

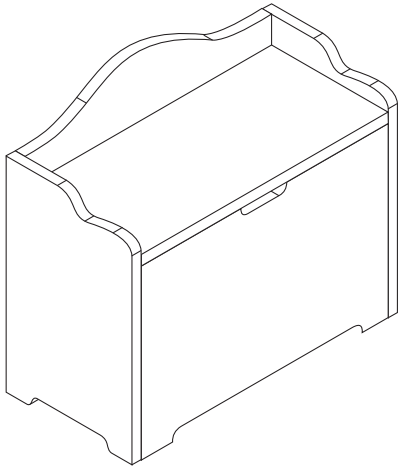


WARNING: THIS PRODUCT NEEDS ADULT ASSEMBLY.

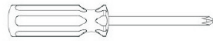
WARNING: TO AVOID RISK OF SUFFICATION, DO NOT ALLOW CHILDREN TO PLAY INSIDE THIS CONTAINER.

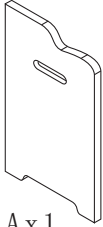
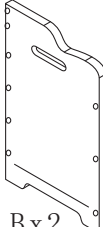
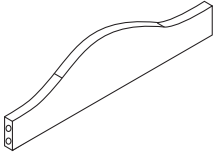

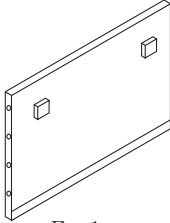
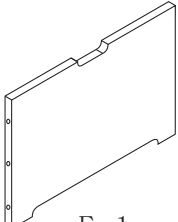
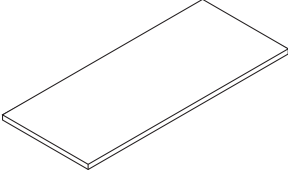
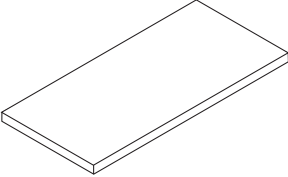
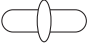

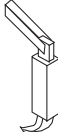
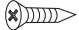
WARNING: CHOKING HAZARD. SMALL PARTS AND SHARP POINTS, NOT SUITABLE FOR CHILDREN UNDER AGE 3.

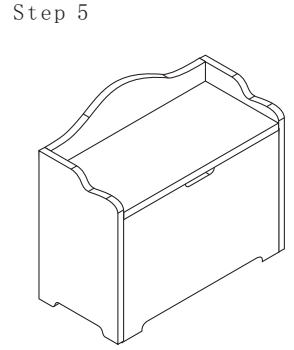
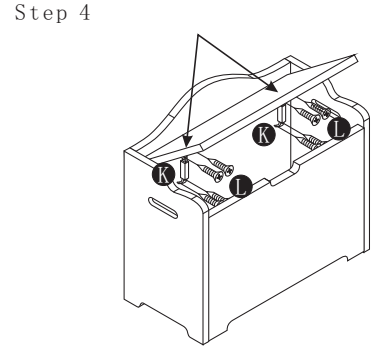
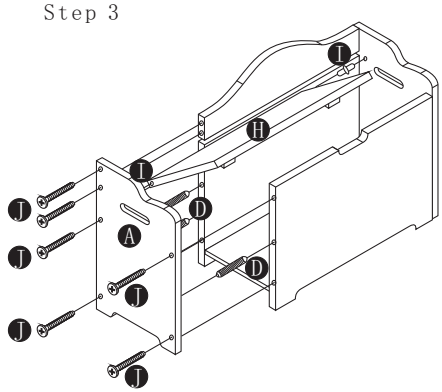
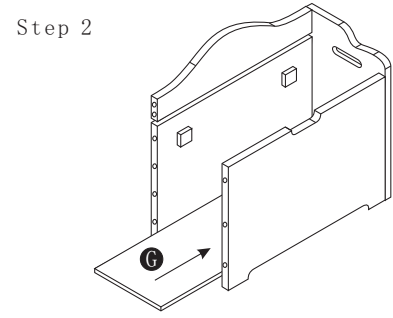
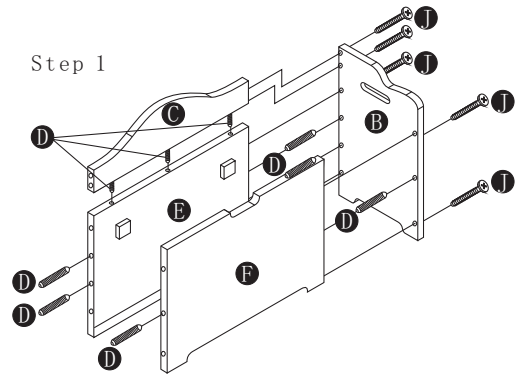
Customer Care:
www.dibsies.com
Dibsies Personalization Station
Cincinnati, Ohio 45246
1-877-514-3494



Tools required:



| | | |
|---|--|--|
|  <p>Ax1</p> |  <p>Bx2</p> |  <p>Cx1</p> |
|  <p>Dx9</p> |  <p>Ex1</p> |  <p>Fx1</p> |
|  <p>Gx1</p> |  <p>Hx1</p> |  <p>Ix2</p> |
|  <p>Jx12</p> |  <p>Kx2</p> |  <p>Lx8</p> |



Install bolts in lower holes of hinge first. Do not tighten

Make sure all bolts are now tight.

WARNING: This item is intended for children 3yrs and above. Do not allow children of any age climb on or around this item. Adult supervision is always recommended.

Use and Maintenance:
 Use on level surface only.
 Periodically check assembly and tighten any loose hardware.
 Product may not perform properly if not properly maintained.