

602L ALT./PS

230, 250 C.I.D. Chevy 6 Cylinder
Power Steering and Alternator Mount



Technical Information

***NOT DESIGNED FOR 292 C.I.D. Engines.**

This bracket is designed for 1974 and earlier 230,250 C.I.D. Chevy 6 Cylinders using the specified parts listed below. AS WITH ANY PART OF THIS NATURE, MAKE SURE IT FITS YOUR APPLICATION BEFORE PAINTING OR PLATING. PARTS THAT HAVE BEEN PAINTED, PLATED OR MODIFIED MAY NOT BE RETURNED.

PARTS YOU WILL NEED:

-GM standard case alternator:

This bracket kit is designed for the popular GM 10si and 12si standard case alternators. These alternators came standard on Chevy 230, 250 C.I.D. 6 cylinder application as well as many V-8 applications and are available in aftermarket 1 wire configurations. These alternators have mounting bosses in the 6 and 12 o'clock location and have a center to center mounting point of 6-9/16".

-Saginaw power steering pump:

This bracket kit is designed for the early P series (Type 1) Saginaw attached reservoir pump. Chevrolet first used these pumps in 1961 and they are still in use today in some applications. Please see the yellow Information page in this kit to choose a pump that works best for your application. The main differences in these pumps are the location of the return line, Type of high pressure fitting, shape of reservoir and nut retained or press fit pulley. Two applications that we use most with this bracket kit are the 1970-72 Chevy V-8 pickup and the 1970-74 Chevy V-8 Camaro. Also, many of the pumps that came on the 230, 250 Chevy inline six will also work with this bracket except the pulley will need to be changed to a V-8 pulley (see pulley information below).

-Two groove power steering pump pulley:

Due to the lack of 6 cylinder power steering pump pulley availability; this kit is designed for the readily available two groove Chevy V-8 pulley. The nut retained version came standard on all 1969-74 air conditioned passenger cars excluding Corvette, and 1973-74 air conditioned pick-up trucks. The press fit version came standard on all 1975-86 air conditioned passenger cars and pick-up trucks. The nut retained version is more user friendly and does not require a pulley install tool. Nut retained pulleys can be purchased from Alan Grove Components or other after market suppliers.

Two groove nut retained pulley part#s:

Alan Grove Components Part# 506

Classic Performance Products Part# Cp38808

Two groove press fit pulley part#

Dorman 300-121 (not available from Alan Grove Components; see your local auto parts store)

Belt Information

Power steering and water pump drive belt:

The belt routing for this bracket kit will utilize the original 230, 250 6 Cylinder alternator only application pulley grooves. The single groove harmonic balancer and single groove water pump pulley align with the inner groove of the two groove power steering pump pulley referenced above. The drive belt length for the water pump and power steering pump will vary depending on your water pump pulley diameter. We used a belt length of 44" (Dayco 15440) in our shop using a 6 1/4" diameter water pump pulley.

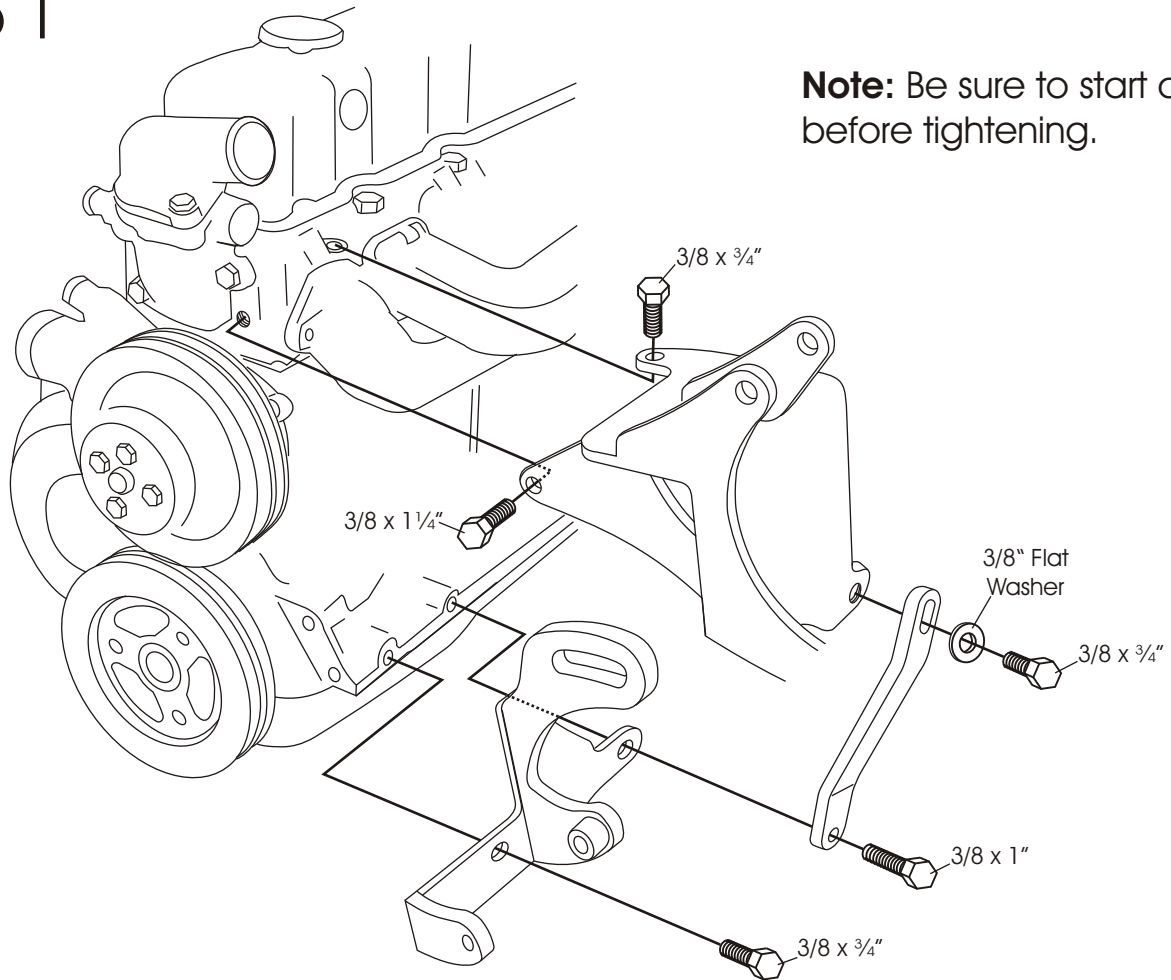
Alternator drive belt:

The belt routing for the alternator will use the outer groove of the power steering pump pulley to drive the single groove alternator pulley. We use a belt length of 33" (Dayco 15330) in our shop.

Optional AC compressor bracket:

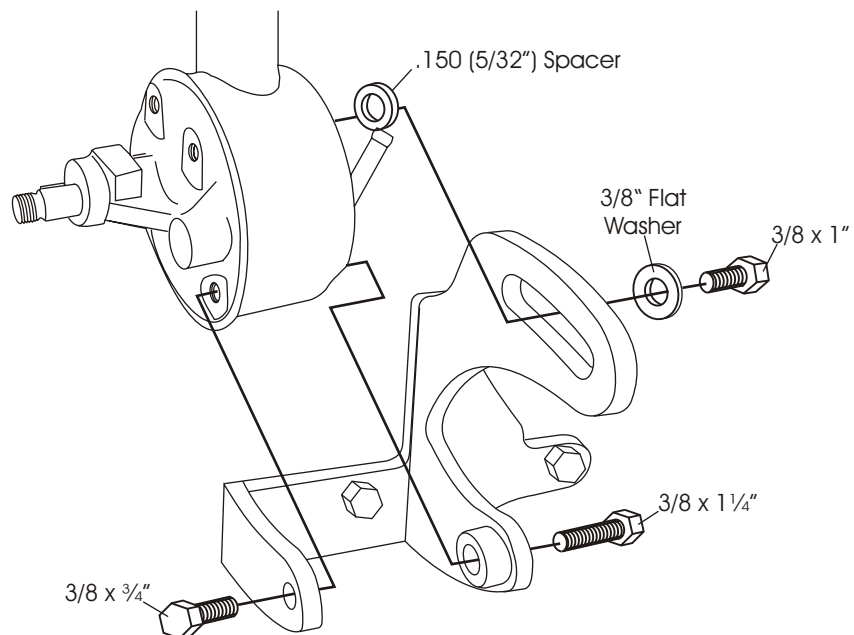
If you are using our part# 145R A.C. Mount; please refer to the technical information and belt information for the 145R belt routing and pulley configuration.

Step 1



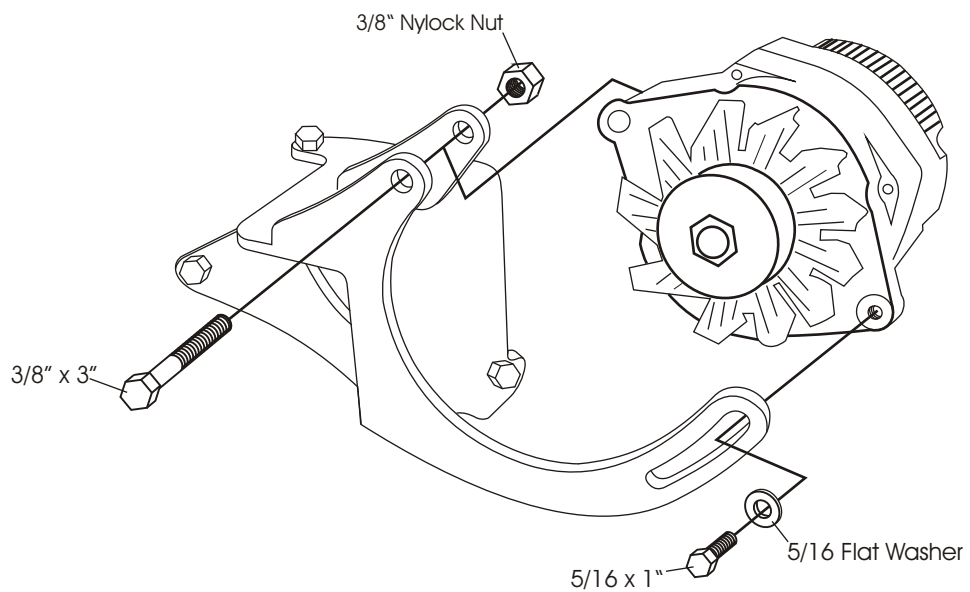
Step 2

***Note:** If your power steering pump has mounting studs in the backside of the pump; please remove and use the hardware provided in this bracket kit.



Step 3

Note: Be sure to start all bolts before tightening.



ALTERNATOR &
POWER STEERING
MOUNT

602L

230 250 C.I.D. Chew 6 Cylinder

ALAN GROVE COMPONENTS, INC.
27070 METCALF ROAD
LOUISBURG, KS 66053