



DIRECTIONS 452

NOTE: Installation may be simplified by using car ramps or lifts but suspension must be at normal ride height during installation!

Step #1. Remove the factory bar if your car came equipped with one. If not, then remove the inner U-bolt nuts which holds axle to spring.

Step #2. Place the D-bushings on each end of the bar. Place the brackets with slotted holes over the D-bushings and attach it to the bottom of the spring perches by using the inside U-bolts which holds axle to spring. Secure with original nuts and the washers, which are included in the kit.

Step #3. Place D-bushings around mid-section of the bar and assemble hanger rods as seen in figure 2. Tighten the lock-nuts on the 3/8 X 1-1/4 bolts only, not on center bolts yet. If your car came with a bar you should have the existing eyes welded on the inside of the frame rails, which the hanger rod assemblies, mounts to. (See fig. 1). Tighten center rod lock-nuts until the bushings deform slightly or so that the washers and spacers don't rattle. If your car does not have this go on to step #4.

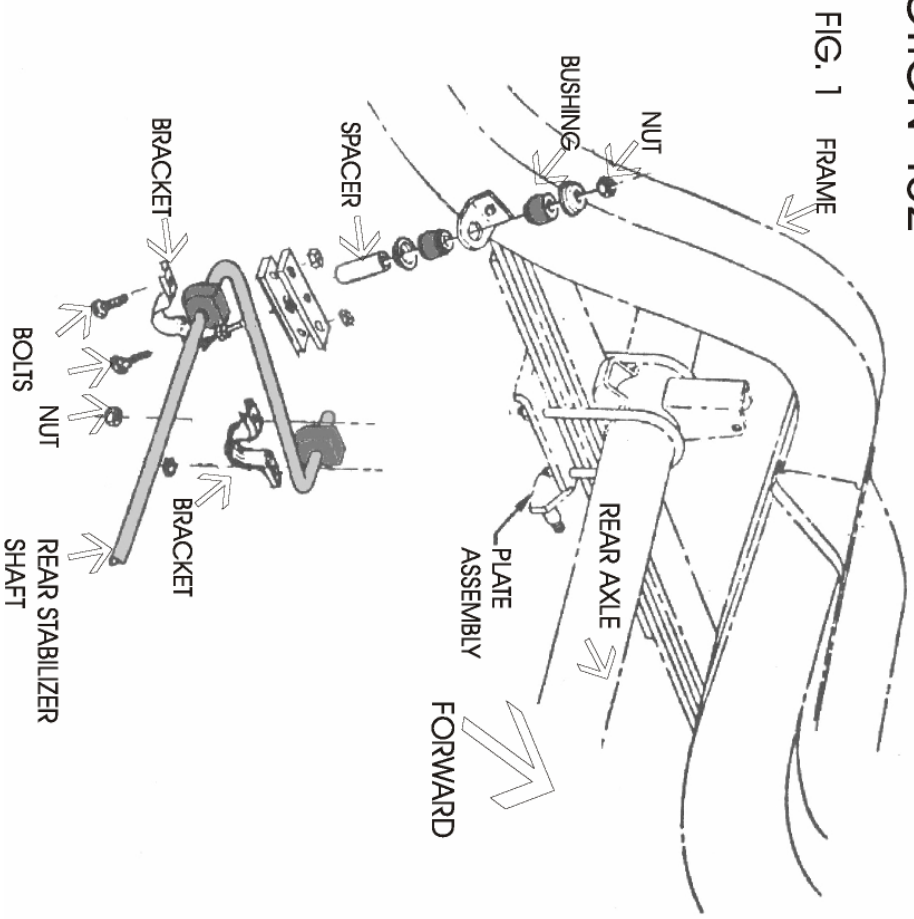
Step #4. Place the angle bracket on the hanger rod assembly as seen in fig. 1. Repeat on other side. Position the bar so that the arms of the bar are as close to being parallel to the ground as possible. Next mark the inside of the frame to mount the angle brackets. Using a 3/8" drill bit drill through the frame rails. Using the 3/8" X 3 1/2" bolts provided secure angle bracket to inside of frame rail. Tighten lock-nut on center bolt as described in Step #3.

Step #5. Installation is now complete. Check all fastening and clearance throughout the suspension travel. As we cannot supervise your installation or your driving, we cannot be held responsible for more than the cost of the kit. *NOTE: For best control and balance this kit should be used in conjunction with our front kit.*

Hardware:

2- RH 022	Angles	2- RH 205	Bolts
2- RH 102	Washers	2- RH 046	Brackets
2- RH 034A	Plates	2- RH 040	Brackets (Drill holes to 1/2")
2- RH 034B	Plates	2- RH 062	Spacer Tubes
4- RH 109	Washers	4- RH 500	Bushings
4- RH 214	Bolts	4- RH 507	Bushings
12- RH 104	Washers	8- RH 304	Lock-Nuts
2- RH 229	Bolts		

DIRECTION 452



HANGER ROD ASSEMBLY

