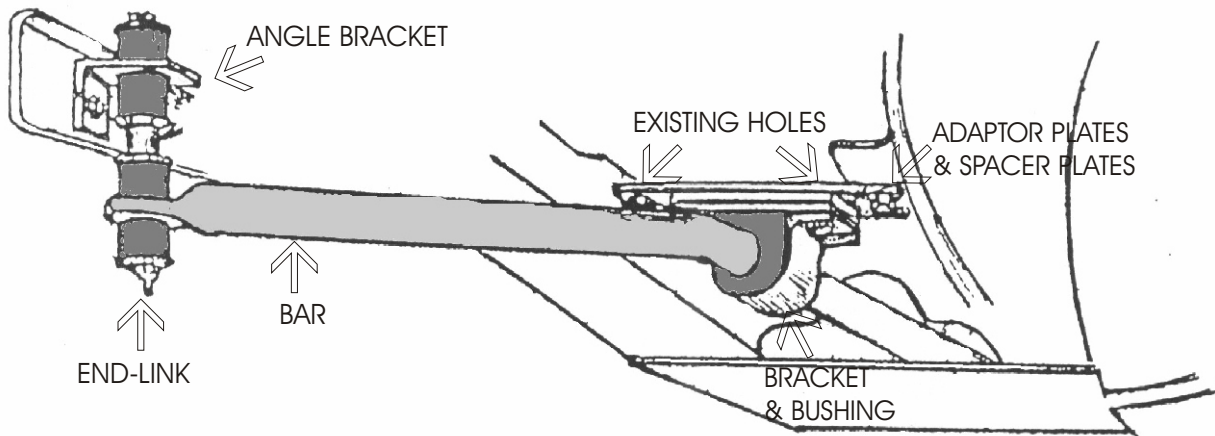


# DIRECTION 149



## DIRECTION #149

- STEP #1.** Pass the bar through the opening in the K-member.
- STEP #2.** Bolt the adaptor plates into the existing holes in the K-member. With the bar arms to the rear, place enough of the enclosed spacer plates to space the bar down from the adaptor plates the correct distance so that the bar clears through the opening in the K-member. Place the bar bracket about them and secure with the bolts provided so as to hold the bar bracket, bushing, and spacers to the adaptor plate.
- STEP #3.** Assemble end-links onto bar ends with angle bracket positioned as shown.
- STEP #4.** Raise bar assembly and position vertical leg of angle bracket against front side of suspension arm, just inboard of the rear end of the control strut. Mark the arm and drill with a 3/8" drill bit.
- STEP #5.** Bolt the angle bracket to the suspension arm.
- STEP #6.** Have someone bounce the front of the car so you check for full clearance throughout the suspension travel. Check all fastenings for suitable tightness. Road test the car and accustom yourself to its new handling. As we cannot supervise your installation or driving, we cannot be responsible for more than the cost of the kit.

### HARDWARE

2 RH 509 Bushings	2 RH 014 End-Links
6 RH 214 Bolts	4 RH 206 Bolts
10 RH 304 Lock-Nuts	2 RH 022 Angles
2 RH 046 Brackets	8 RH 104 Washers
2 RH 051 Plates	6 RH 031 Plates