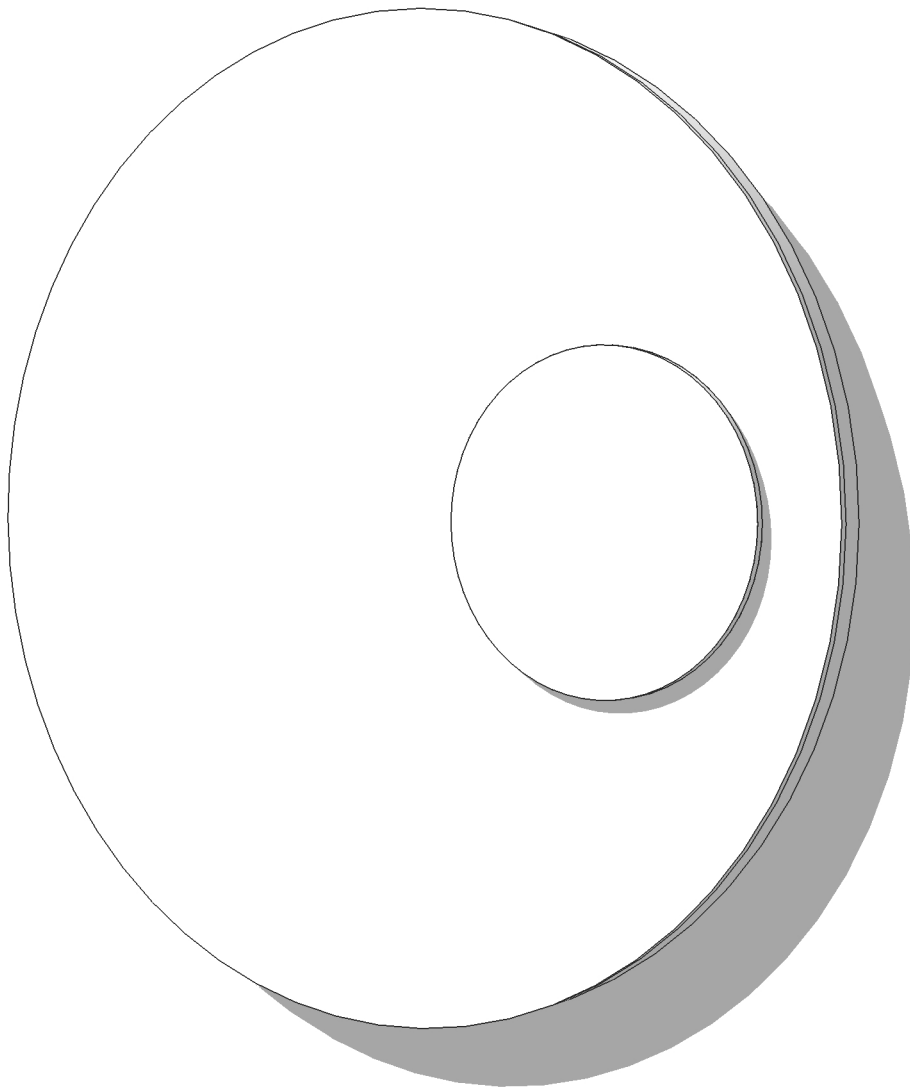


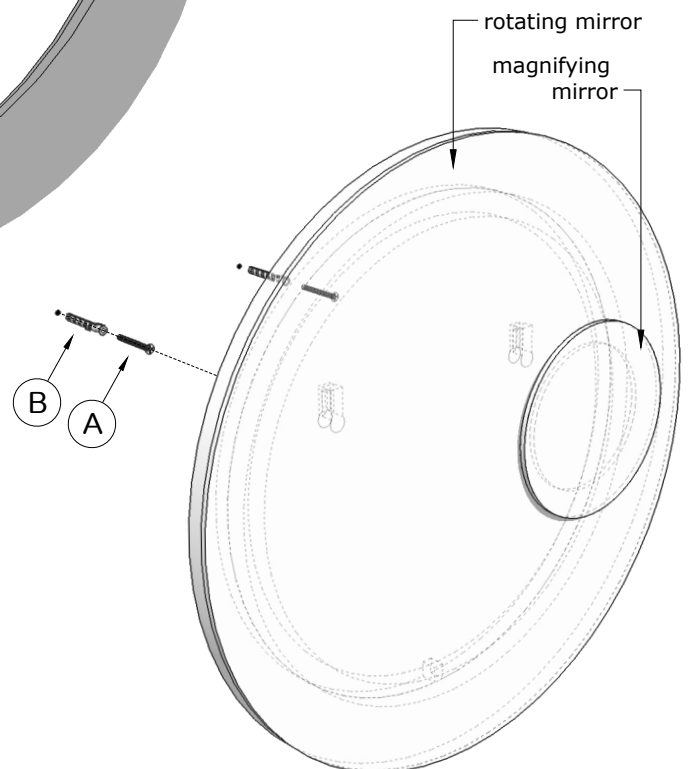
Thank you for buying 'neutrino'  
**Installation instructions.**

Please read the instructions and warnings carefully before use to ensure safe and satisfactory operation of this product.





The Neutrino is supplied with screws and wall plugs suitable for a stone or brick wall. For other wall types (eg. hollow plasterboard) alternative fixings will be required. If in doubt, consult a qualified person.



**.neutrino**



**Fixings (as marked):**

- (A) Wall screws 50mm x2  
- (B) Wall plugs x2  

### Fitting Instructions:

You will need a power drill, masonry drill bit, a medium crosshead screwdriver, a spirit level and pencil to install this product. Ensure the wall surface is of suitable strength and construction before hanging the Neutrino.

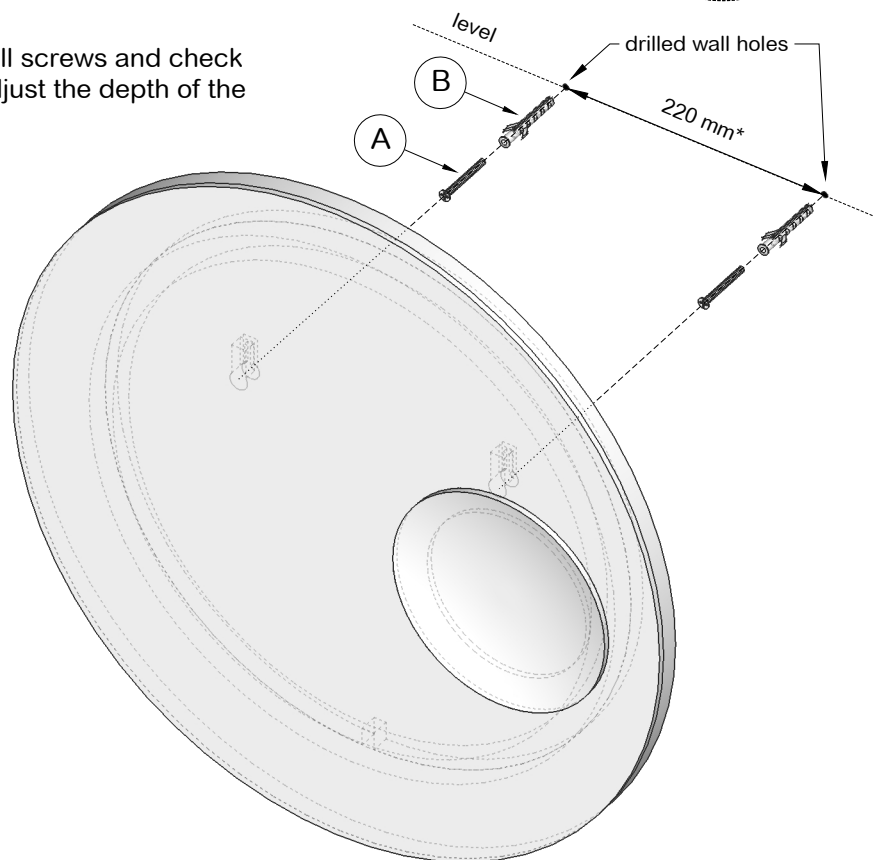
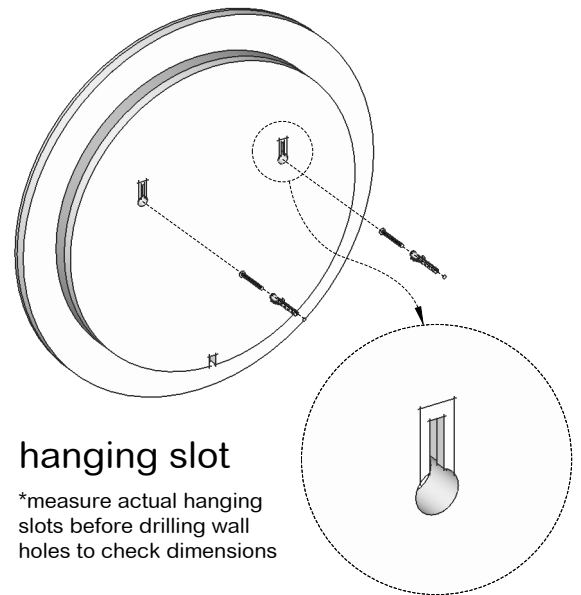
Carefully measure the position for the keyhole hanging slots on the back of the mirror and mark the hole positions for the wall plugs so they match using a spirit level to check alignment.

Drill holes to depth of 50mm and push in wall plugs so they are flush.

\*Helpful hint: To accurately drill wall holes, first use a smaller drill bit. Then change to a larger drill bit size and re-drill to get the right size.

Fix wall screws securely leaving the screw heads protruding 10mm from the wall.

Guide the keyhole hanging slots onto the wall screws and check the 'neutrino' is securely fixed to the wall. Adjust the depth of the wall screws if necessary.



### Warnings:

Fit in accordance with manufacturers instructions. Check that the wall mirror is securely fixed to the wall surface and that the mirror turns freely before use. If in doubt consult a qualified installer before use.

Wear suitable eye protection when drilling. When using power tools near water the use of a residual current device is advised for added protection against electric shock. Beware of hidden pipes or power cables. Take care when drilling on glazed tile surfaces in case drill slips.

### Cleaning:

When cleaning glass panels or mirrors use a damp cloth or chamois leather with washing up liquid or soft soap if necessary; do not use washing powders or any other substance containing abrasives since these substances scratch glass.

Complies with BS 7449: 1991.

Mirror thickness 5mm film backed.

Model ref: neutrino.

Supplied by Wireworks 43a Mercers Road London N19 4PP.  
[www.wireworks.co.uk](http://www.wireworks.co.uk)

UK Patent Application no: 1720026.2

**.wireworks**  
london