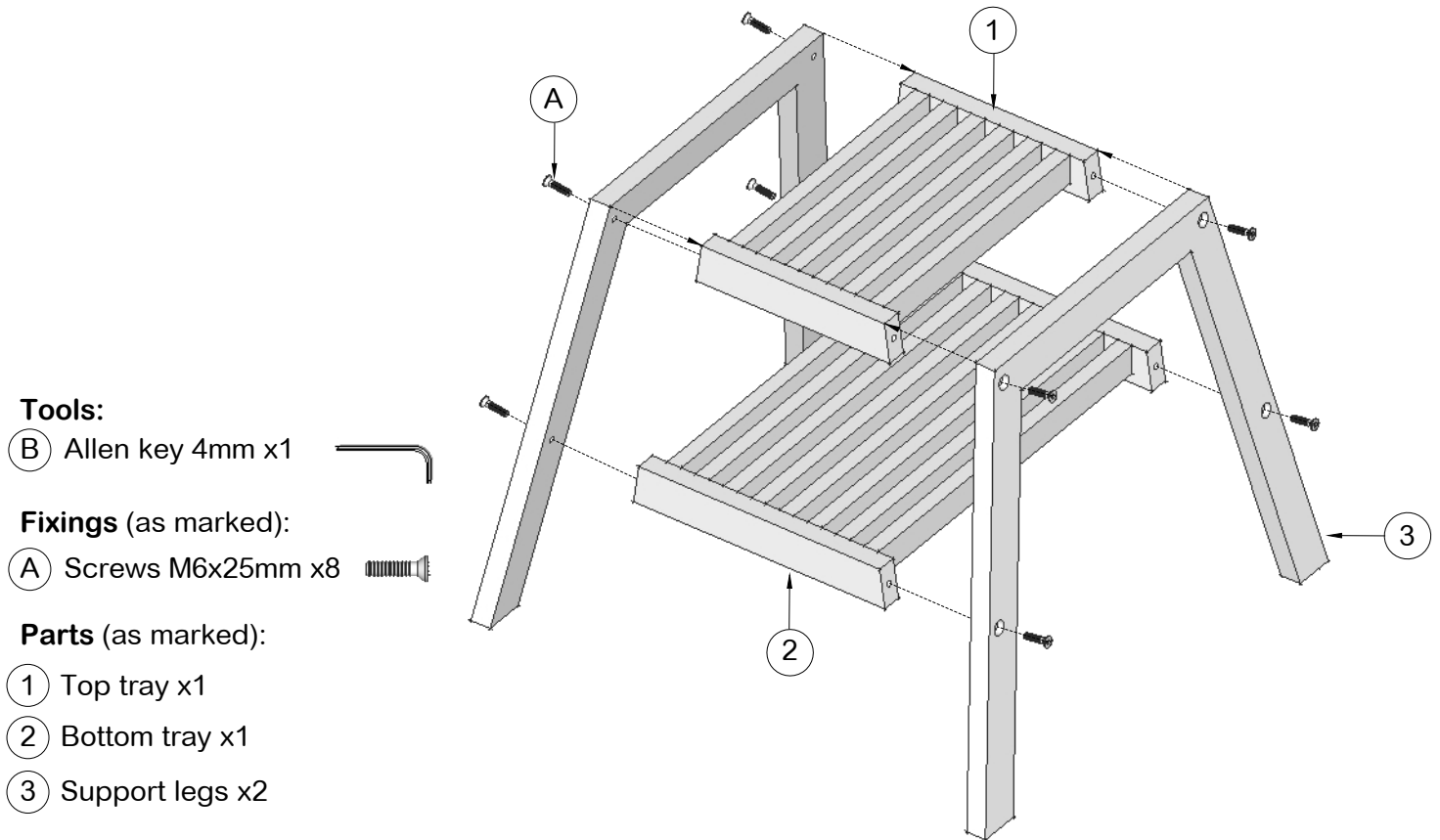


Thank you for buying 'Slatted Stool'

Assembly instructions.

Please read the instructions and warnings carefully before use to ensure safe and satisfactory operation of this product.

The Slatted Stool is supplied with screws and allen key for easy assembly.



Care instructions:

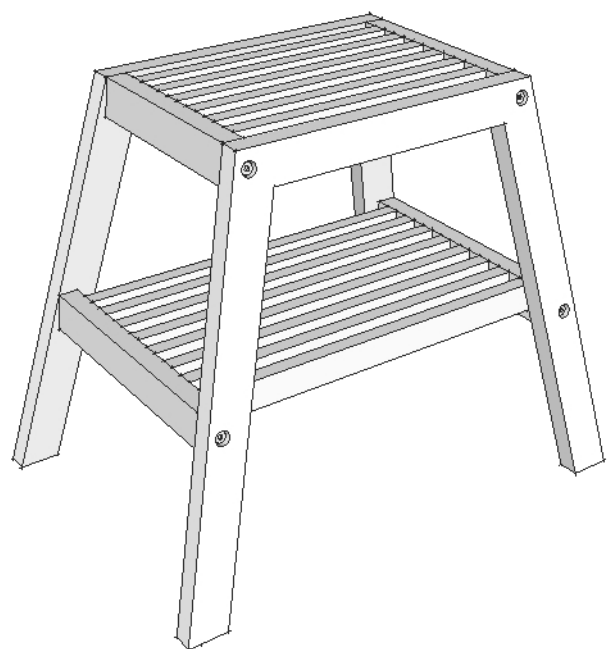
- . Wipe clean using a soft damp cloth.
- . Do not use abrasive cleaners which may contain ammonia or solvents and could damage the surface finish.
- . Do not leave in prolonged contact with water.

Caution:

- . Adult assembly required.
- . This item contains small parts that have sharp points and edges in the unassembled state.
- . Take care not to scratch surface finishes when unpacking and during assembly.

Warnings:

- . Check stability of Slatted Stool before use.
Maximum load 180kg



Fitting Instructions:

You will need a power drill, masonry drill bit, a medium crosshead screwdriver, a spirit level and pencil to install this product. Ensure the wall surface is of suitable strength and construction before hanging the Silent Butler.

Position Framed mirror in desired position against the wall and mark the top edge with a pencil.

Carefully measure the position for the keyhole hanging slots on the back of the Framed mirror and mark the hole positions for the wall plugs so they match using a spirit level to check alignment.

Drill holes to depth of 40mm and push in wall plugs so they are flush.

*Helpful hint: To accurately drill wall holes, first use a smaller drill bit. Then change to a larger drill bit size and re-drill to get the right size.

Fix wall screws securely leaving the screw heads protruding 4mm from the wall.

Fix the Wooden shelf and the Hooks to the Framed mirror using the six screws provided.

Guide the keyhole hanging slots onto the wall screws and check the 'silent butler' is securely fixed to the wall before use. Adjust the depth of the wall screws if necessary.

Total maximum load 4kg
- shelf 1kg
- single hook 1kg

Warnings:

Fit in accordance with manufacturers instructions. Do not place very hot or very cold items against or in close proximity to glass surfaces unless an adequately thick insulating material is used to prevent such items from coming into contact with the glass. Do not strike the glass with hard or pointed items.

Wear suitable eye protection when drilling. When using power tools near water the use of a residual current device is advised for added protection against electric shock. Beware of hidden pipes or power cables. Take care when drilling on glazed tile surfaces in case drill slips.

Cleaning:

When cleaning glass panels or mirrors use a damp cloth or chamois leather with washing up liquid or soft soap if necessary; do not use washing powders or any other substance containing abrasives since these substances scratch glass.

Complies with BS 7449: 1991.
Mirror thickness 4mm film backed.
Model ref: silent butler.
If glass component is chipped or broken replace with glass of the same type.

Supplied by Wireworks 43a Mercers Road London N19 4PP.
www.wireworks.co.uk

.wireworks
london