






Thank you for buying 'Cosmos Revolve 1140' Assembly instructions.

Please read the instructions and warnings carefully before use to ensure safe and satisfactory operation of this product. It is recommended that this cabinet is only fitted by persons competent in DIY.


Contents:

The Cabinet is supplied with screws and wall plugs suitable for a stone or brick wall. For other wall types (eg. hollow plasterboard) alternative fixings will be required. If in doubt, consult a qualified person.

Parts:

- ①  x 1 top bracket
- ②  x 1 bottom bracket
- ③  x 2 spindle tubes
- ④  x 2 nuts
- ⑤  x 2 spindle bolts

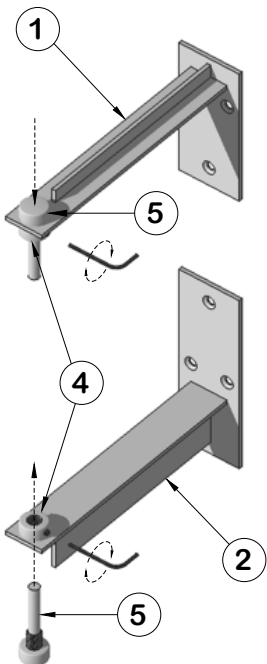
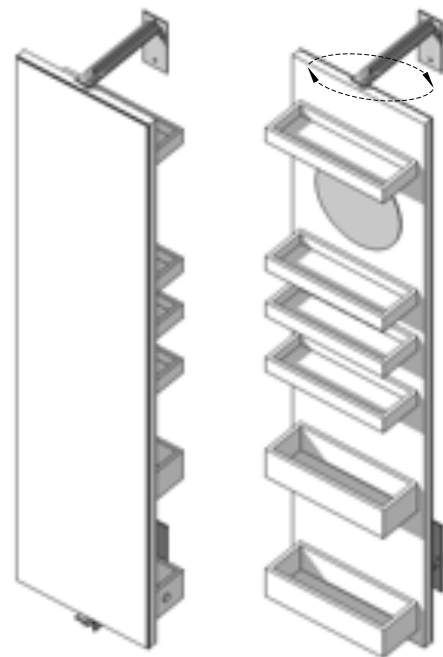
Cabinet fixings:

- Ⓐ  x 6 wall plugs
- Ⓑ  x 6 wall screws

Tools (supplied): Allen key

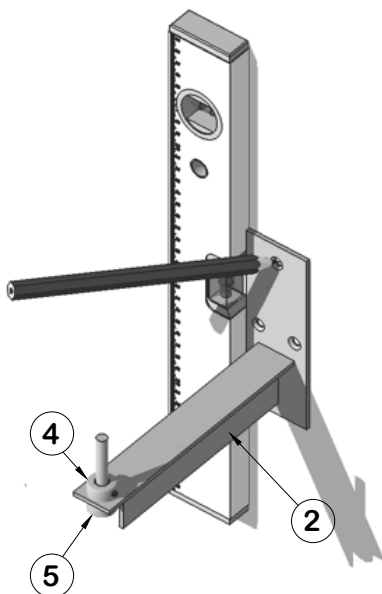
You will need a power drill, masonry drill bit, cross-head screwdriver, spanner, spirit level and pencil to install this product. Please ensure the wall surface is of suitable strength and construction before fixing the cabinet.

***Hint:** When drilling into masonry start with a small drill bit and increase to a larger drill bit. This will give you much greater accuracy.



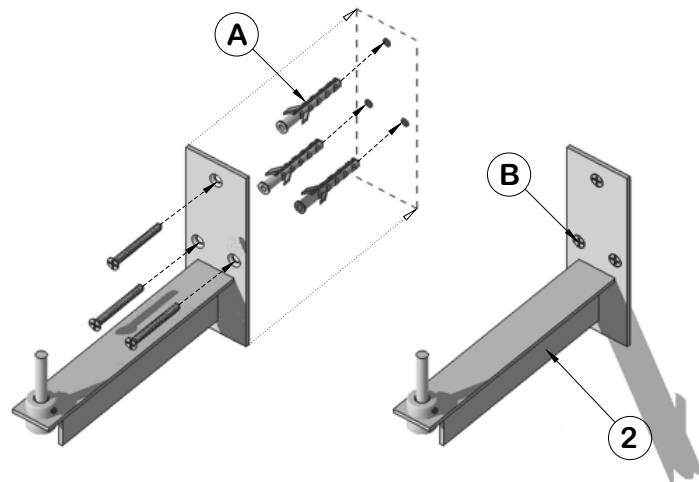
Step 1:

Fit spindle bolts ⑤ into top ① and bottom bracket ② as shown above. Lock spindle bolts ⑤ with nuts ④ using allen key.



Step 2:

Position bottom bracket ② at desired height using spirit level and mark holes for drilling.

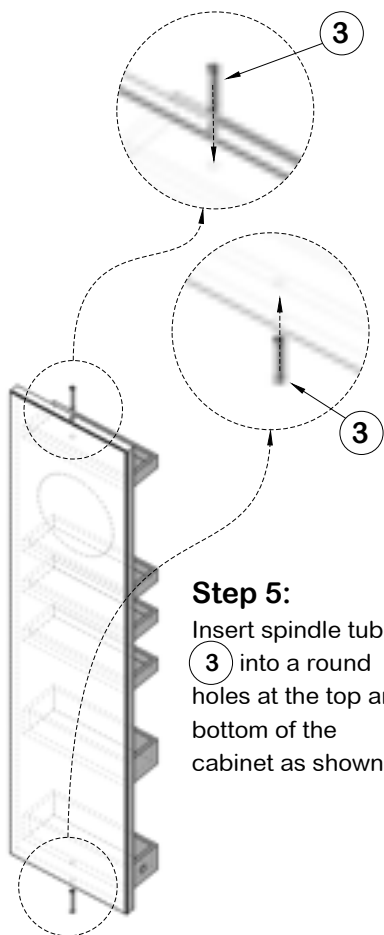


Step 3:

Drill marked holes with suitable drill bit* Insert wall plugs Ⓐ into the drilled holes.

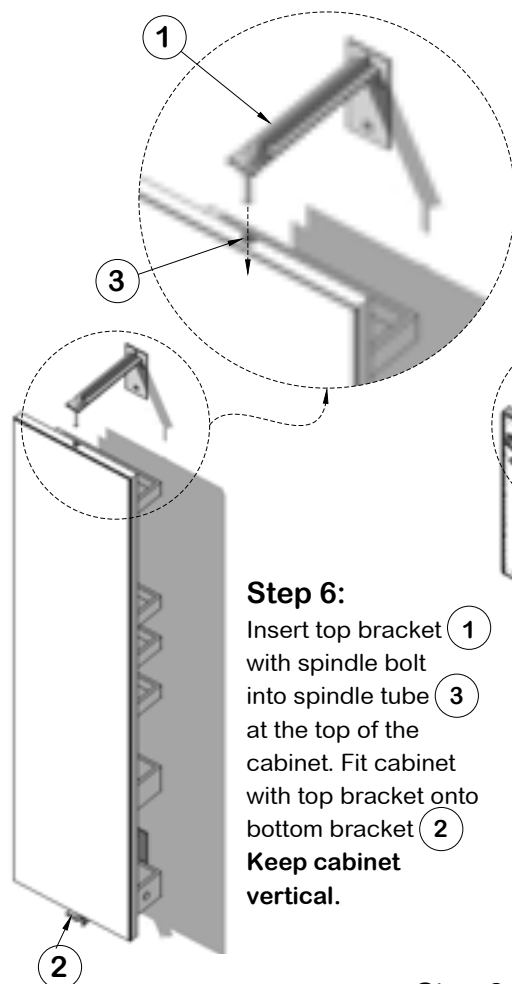
Step 4:

Fit the bottom bracket ② using wall screws Ⓑ. Check bracket is securely fixed and that it can support 15kg.



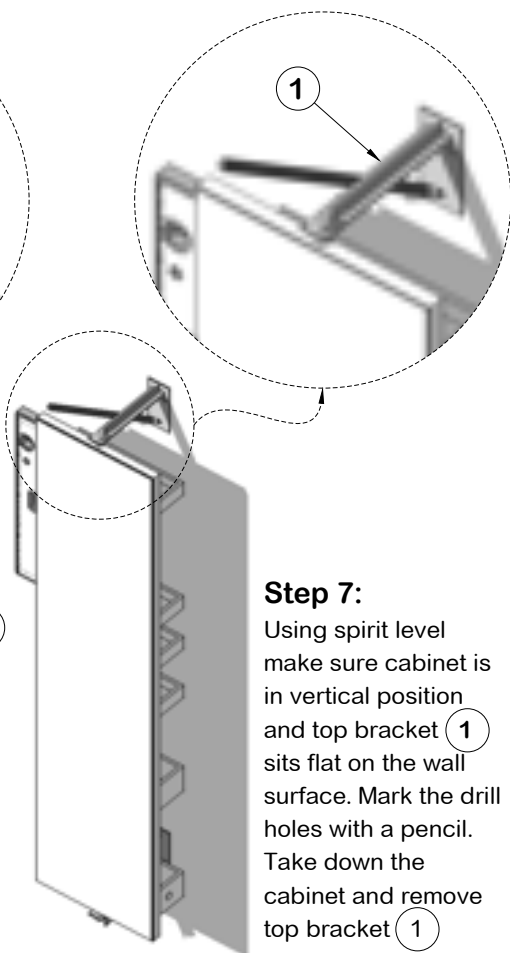
Step 5:

Insert spindle tubes (3) into a round holes at the top and bottom of the cabinet as shown.



Step 6:

Insert top bracket (1) with spindle bolt into spindle tube (3) at the top of the cabinet. Fit cabinet with top bracket onto bottom bracket (2). **Keep cabinet vertical.**



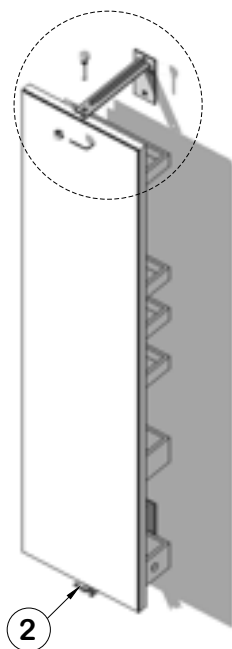
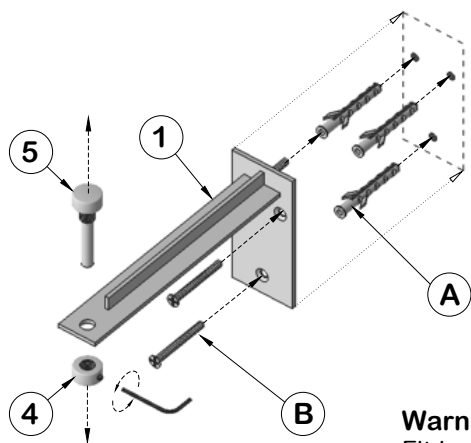
Step 7:

Using spirit level make sure cabinet is in vertical position and top bracket (1) sits flat on the wall surface. Mark the drill holes with a pencil. Take down the cabinet and remove top bracket (1).

Step 8:

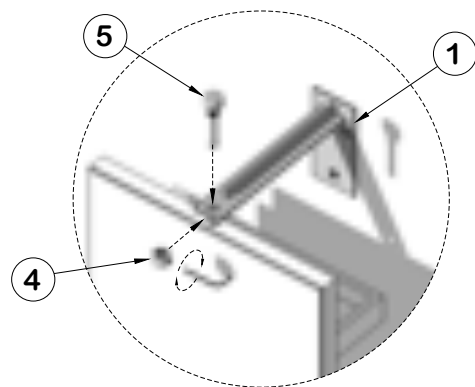
Using allen key unscrew nut (4) and remove spindle bolt (5) from top bracket (1).

Drill marked holes with suitable drill bit* Insert wall plugs (A) into holes and fix top bracket (1) using wall screws (B) and crosshead screw driver.



Step 9:

Place cabinet on bottom bracket spindle bolt (5) whilst keeping the cabinet vertical. Align the cabinet with top bracket (1). Fit spindle bolt (5) into top bracket (1) as shown. Lock spindle bolt with nut (4) using allen key.



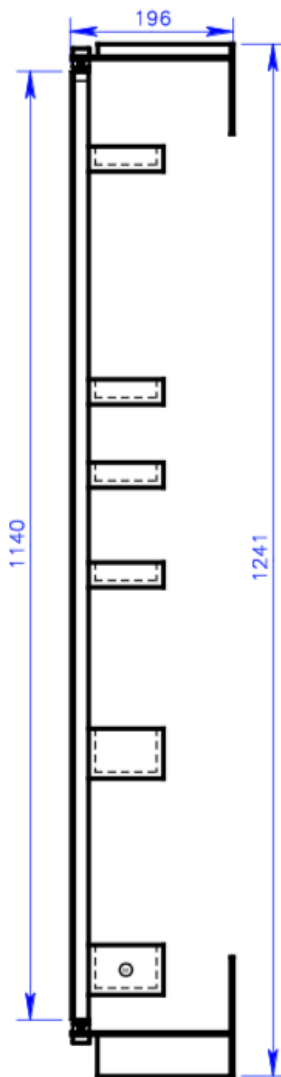
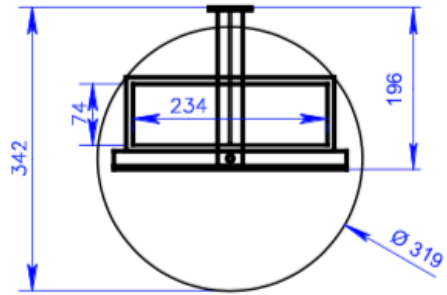
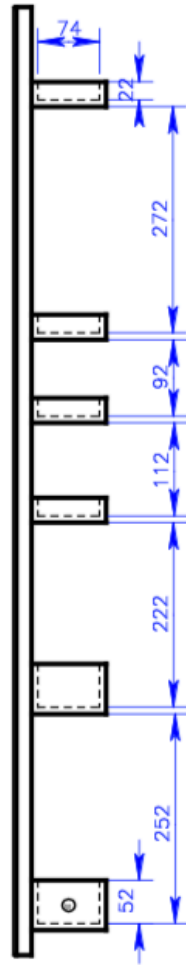
Warnings:

Fit in accordance with manufacturers instructions. Wear suitable eye protection when drilling. When using power tools near water the use of a residual current device is advised for added protection against electric shock. Beware of hidden pipes or power cables. Take care when drilling on glazed tile surfaces in case drill slips.

Maximum load capacity of the cabinet is 5kg.

Cleaning:

Clean mirror using a damp cloth with washing up liquid or suitable glass cleaner. Do not use washing powders or any other substance containing abrasives since these substances scratch glass. Do not leave storage shelves in prolonged contact with water. Avoid contact with bath oils, creams and some cosmetic products as these can damage the surface finishes.



Cosmos 1140
 revolving cabinet
Installed dimensions
 mm

Dimensions are approximate and should be measured from the product.

.wireworks
 all rights reserved 2020
 design by: Lincoln Rivers
 10.01.2020