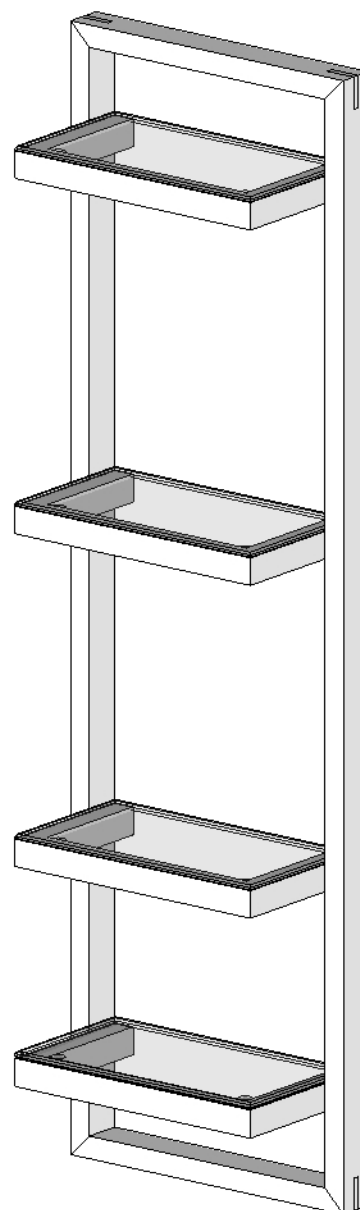
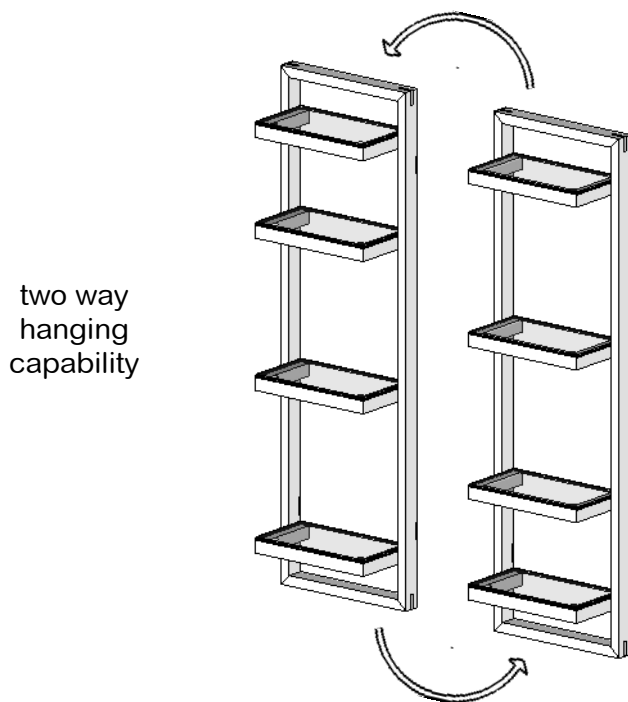


Thank you for buying 'Zone wall shelf'



Installation instructions.

Please read the instructions and warnings carefully before use to ensure safe and satisfactory operation of this product.

The Wall shelf is supplied with screws and wall plugs suitable for a stone or brick wall. For other wall types (eg. hollow plasterboard) alternative fixings will be required. If in doubt, consult a qualified person.



Fixings (as marked):

- (A) Wall screws x2 
- (B) Wall plugs x2 

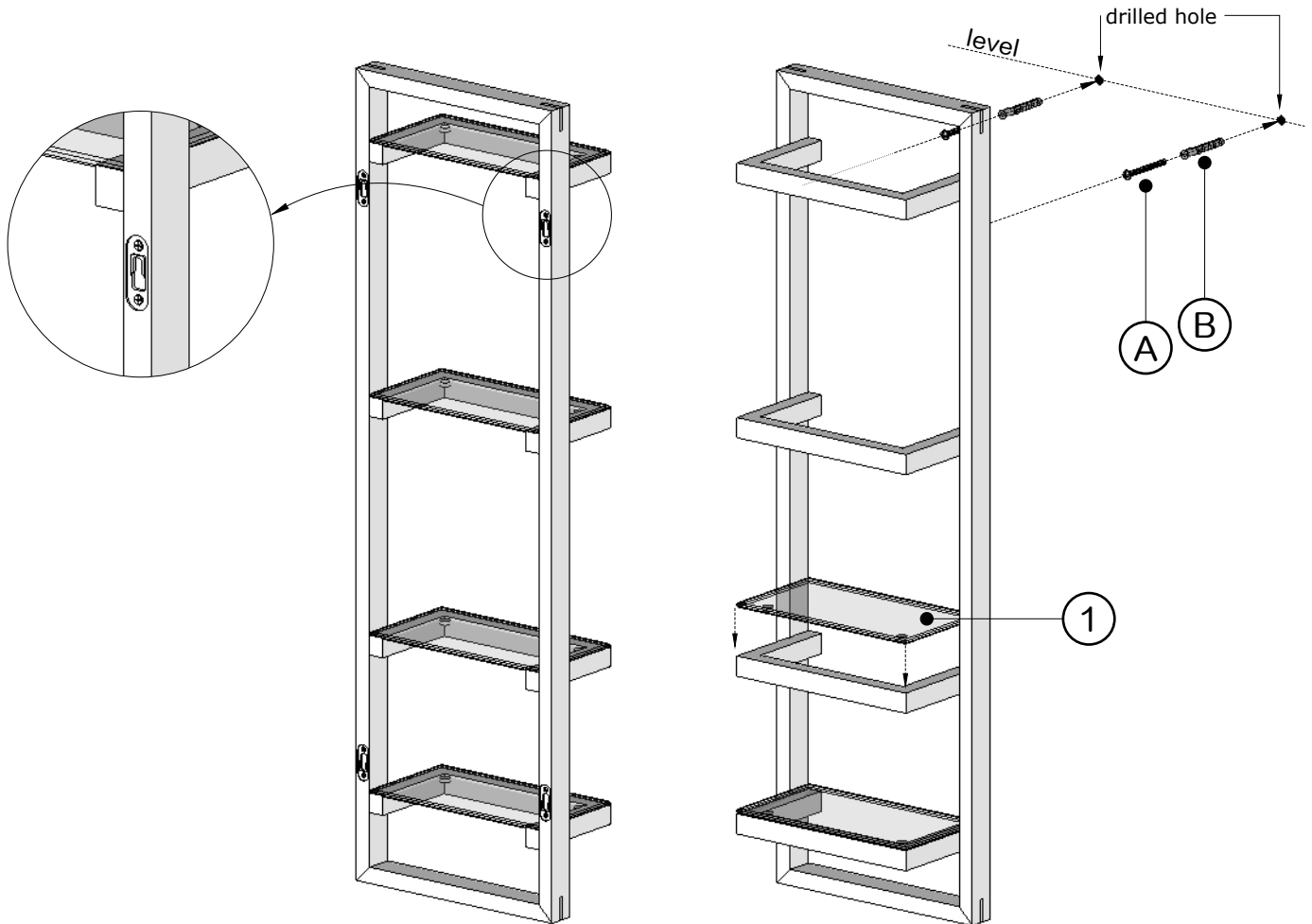
Parts (as marked):

- (1) Glass shelves x4
- (2) Shelf pads (adhesive) x8

Fitting Instructions:

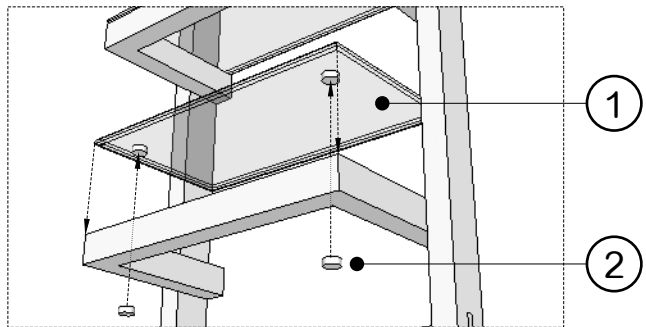
You will need a power drill, a masonry drill bit, a medium cross-head screwdriver, a spirit level and pencil to install this product. Ensure the wall surface is of suitable strength and construction before hanging the Wall shelf. Position Wall shelf against wall using spirit level to check alignment.

Mark using a pencil the positions for the two wall plug holes. These should use the keyhole slots at the top of the wood frame. Drill holes to depth of 50mm and push in wall plugs so they are flush. Fix wall screws securely leaving the screw heads protruding 4mm from the wall. Hang shelf unit from wall screws. Adjust screws depth to get a tight fit between the Wall shelf frame and the wall.



Place glass shelf ① on the wood support. Fix adhesive ② pads to the underside of the glass so they are close to the front wood frame corners. Before use check the Wall shelf is securely fixed and shelves are correctly positioned.

Maximum load per shelf - 1kg.



Warnings:

Fit in accordance with manufacturers instructions. Do not place very hot or very cold items against or in close proximity to glass surfaces unless an adequately thick insulating material is used to prevent such items from coming into contact with the glass. Wear suitable eye protection when drilling. When using power tools near water the use of a residual current device is advised for added protection against electric shock.

Beware of hidden pipes or power cables. Take care when drilling on glazed tile surfaces in case drill slips.

Cleaning:

When cleaning glass panels or mirrors use a damp cloth or chamois leather with washing up liquid or soft soap if necessary; do not use washing powders or any other substance containing abrasives since these substances scratch glass.

If glass component is chipped or broken replace with glass of the same type.

Supplied by Wireworks 43a Mercers Road London N19 4PP.
www.wireworks.co.uk