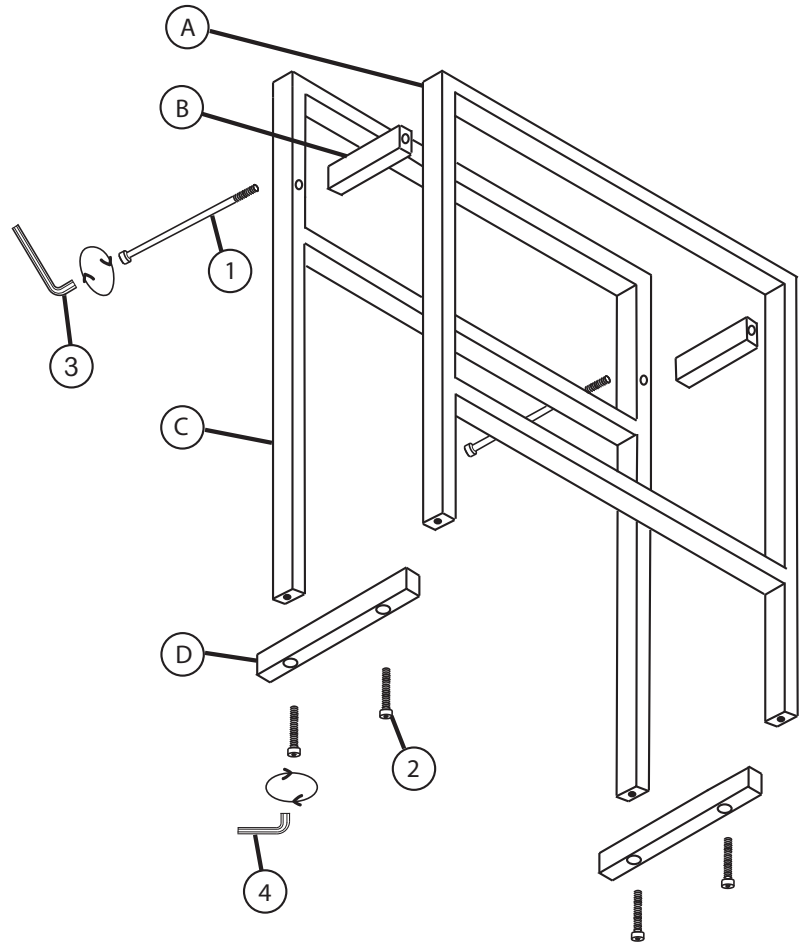
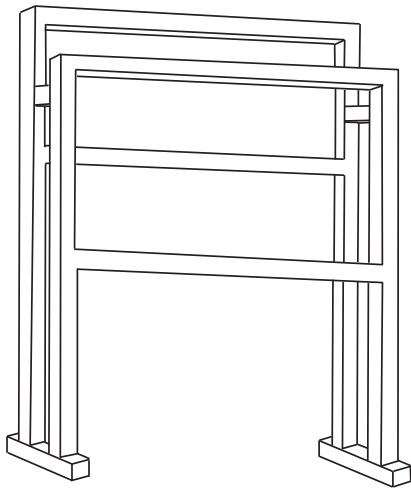
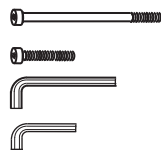


**Thank you for buying 'Mezza Grande'**  
**The diagram shows how to assemble**  
**your freestanding towel rail**



**FIXINGS**

- 1. Space bar screws x 2
- 2. Feet screws x 4
- 3. Allen key large
- 4. Allen key small



**PARTS**

- A. Front towel rail
- B. Space bar x 2
- C. Back towel rail
- D. Foot bar x 2

1. Fix Back towel rail (C) onto Foot bar (D) using Feet Screws (2) and Allen key small (4). Do not tighten, leave screws loose.
2. Fit Space bars (B) Onto Back towel rail (C). Loosely assemble using Space bar screws (1) into Front towel rail (A) with Allen key large (3).
3. Loosely fit Feet screws (2) into Front towel rail (A) with Allen key small (4).
4. Stand assembled towel rail on a flat surface. Make sure everything is level. Gently tighten all fixing screws until assembly is rigid.

**CARE INSTRUCTIONS:**

- . Wipe clean using a soft damp cloth followed by a dry cloth.
- . Do not use abrasives or cleaning products which may contain ammonia or solvents.
- . To properly protect wood, it must not be exposed to excessive heat or humidity.
- . Do not leave in prolonged contact with water.

**CAUTION:**

- . Adult assembly required
- . This item contains small parts that have sharp points and edges in the unassembled state.
- . Adult should take care when unpacking and assembling this item.
- . Keep away from children.