

Thank you for buying 'Nook - five hook shelf'

Assembly instructions.

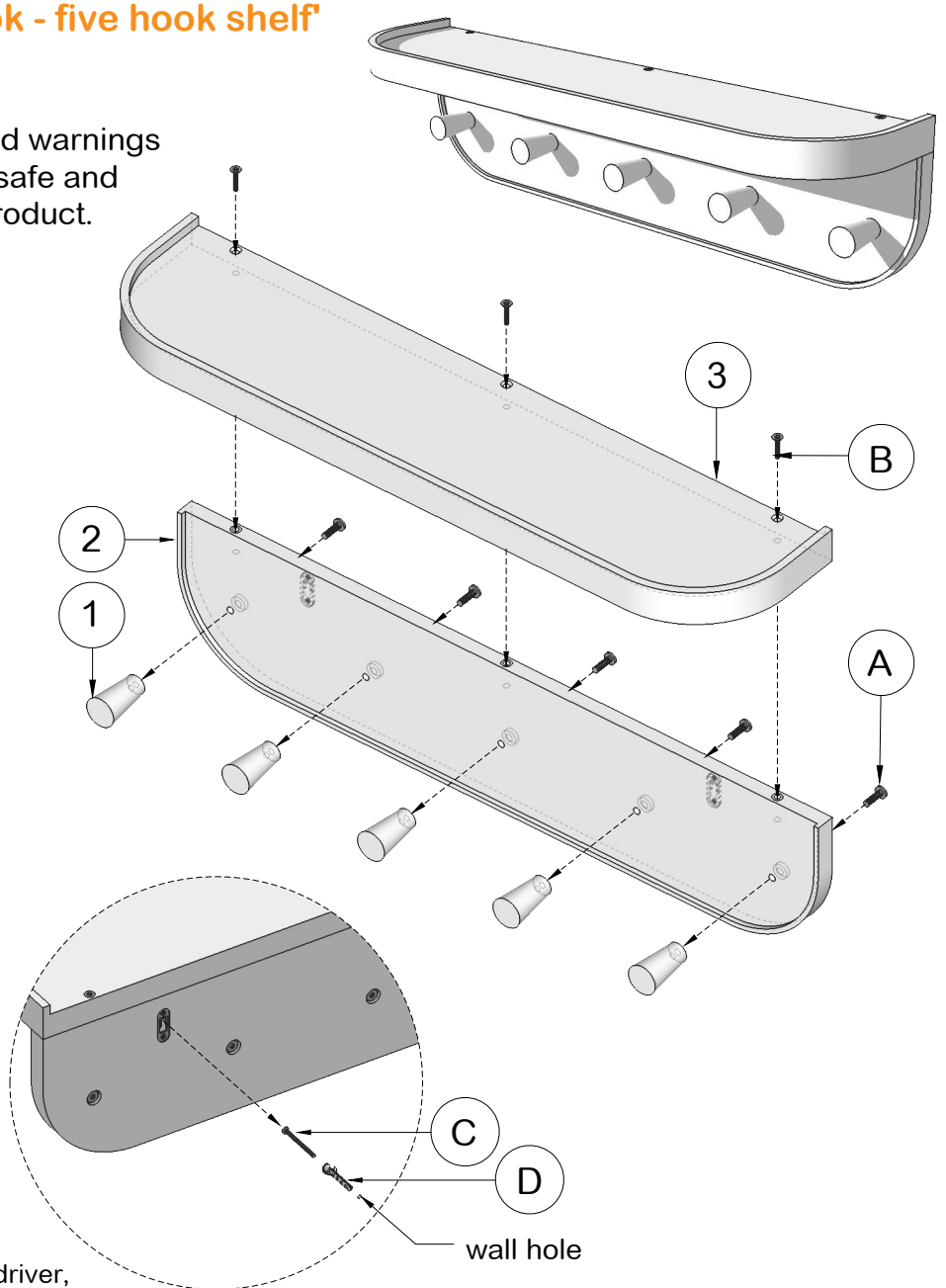
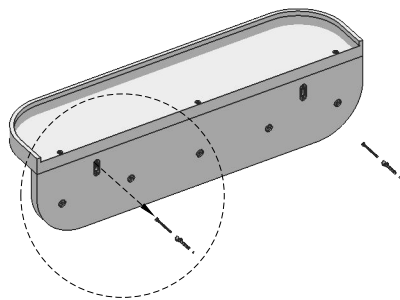
Please read the instructions and warnings carefully before use to ensure safe and satisfactory operation of this product.

Parts:

- ① Hooks x5
- ② Backboard x1
- ③ Shelf x1

Fixings:

- Ⓐ Hook screws 25mm x5
- Ⓑ Shelf screws 25mm x3
- Ⓒ Wall screws 50mm x2
- Ⓓ Wall plugs 40mm x2
- Ⓔ Allen Key x1



Fitting instructions:

You will need a power drill, masonry drill bits, medium cross-head screwdriver, a spirit level and pencil to install this product. Ensure the wall surface is of suitable strength and construction before hanging. If in doubt consult a qualified professional.

Fix hooks ① using screws Ⓐ. Fit shelf ③ to backboard ② using screws Ⓑ

Carefully measure the position of the holes on the back of the shelf. Mark the drill hole positions for the wall plugs on the wall using a spirit level to check alignment. Drill holes to depth of 45mm and push in wall plugs so they are flush.

*Helpful hint: To accurately drill wall holes, first use a smaller drill bit. Then change to the larger drill bit size and re-drill.

Fix wall screws securely leaving screw heads protruding 4mm from the wall.

Guide the keyhole hanging slots onto the wall screws and check it's securely fixed to the wall before use. Adjust the depth of the wall screws if necessary.

Cleaning:

Wipe using a damp cloth with mild soap solution; do not use substances containing abrasives.

Warnings:

Maximum load 8kg

Supplied by Wireworks 43a Mercers Road London N19 4PP.
www.wireworks.co.uk

wireworks
london