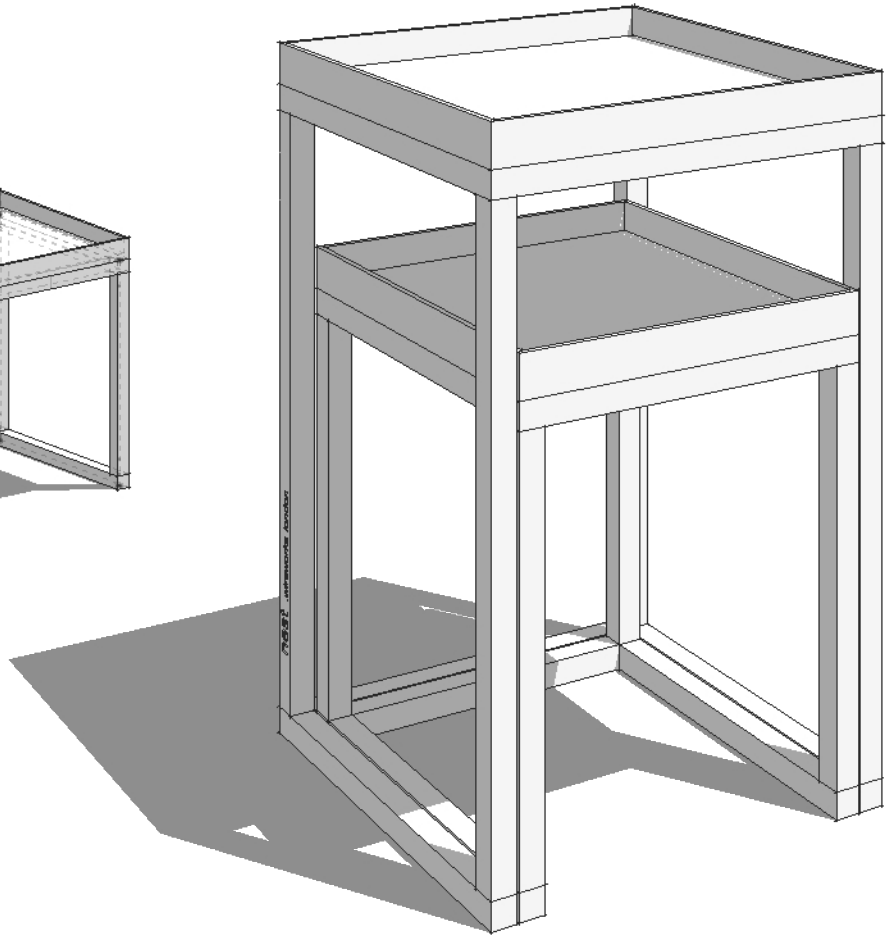
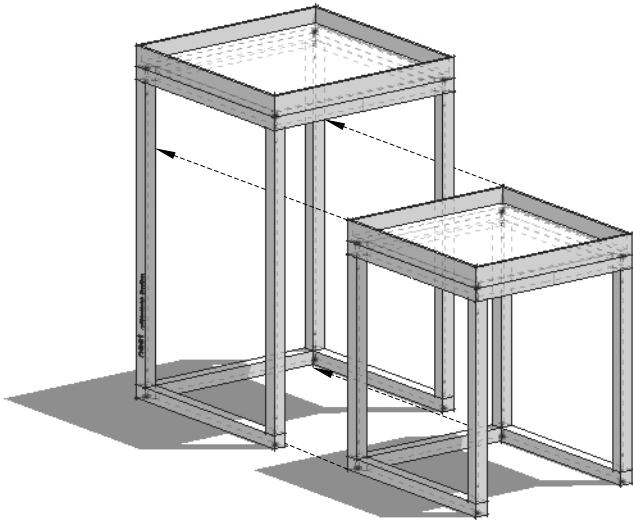


Thank you for buying 'Nest tables'

## Assembly instructions.

Please read the instructions and warnings carefully before use to ensure safe and satisfactory operation of this product. Nest Tables are supplied with screws. You will need a cross head screwdriver to assemble this item.



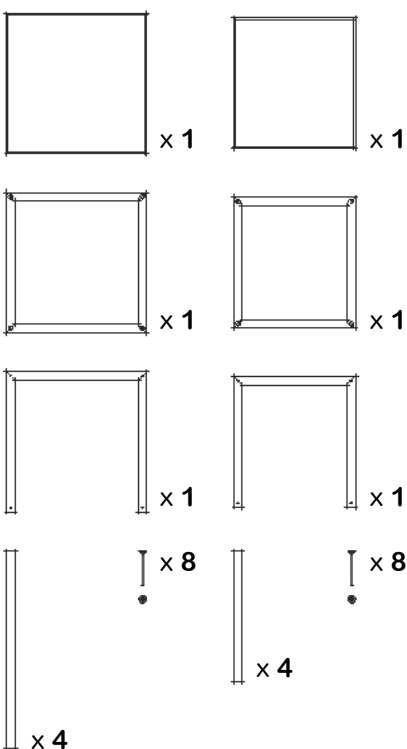
### Fixings:

Round crosshead screw - **x16**

### Tools required:

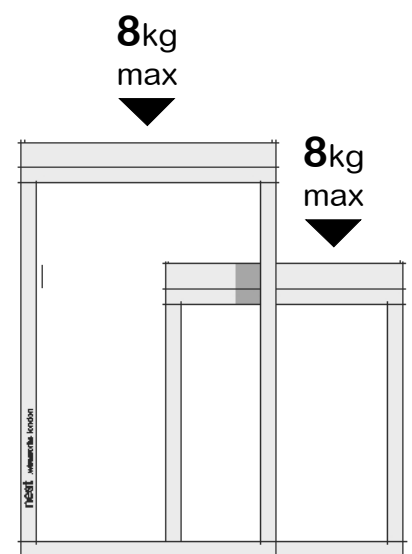
Crosshead screwdriver

### Parts (as marked):



### Warnings

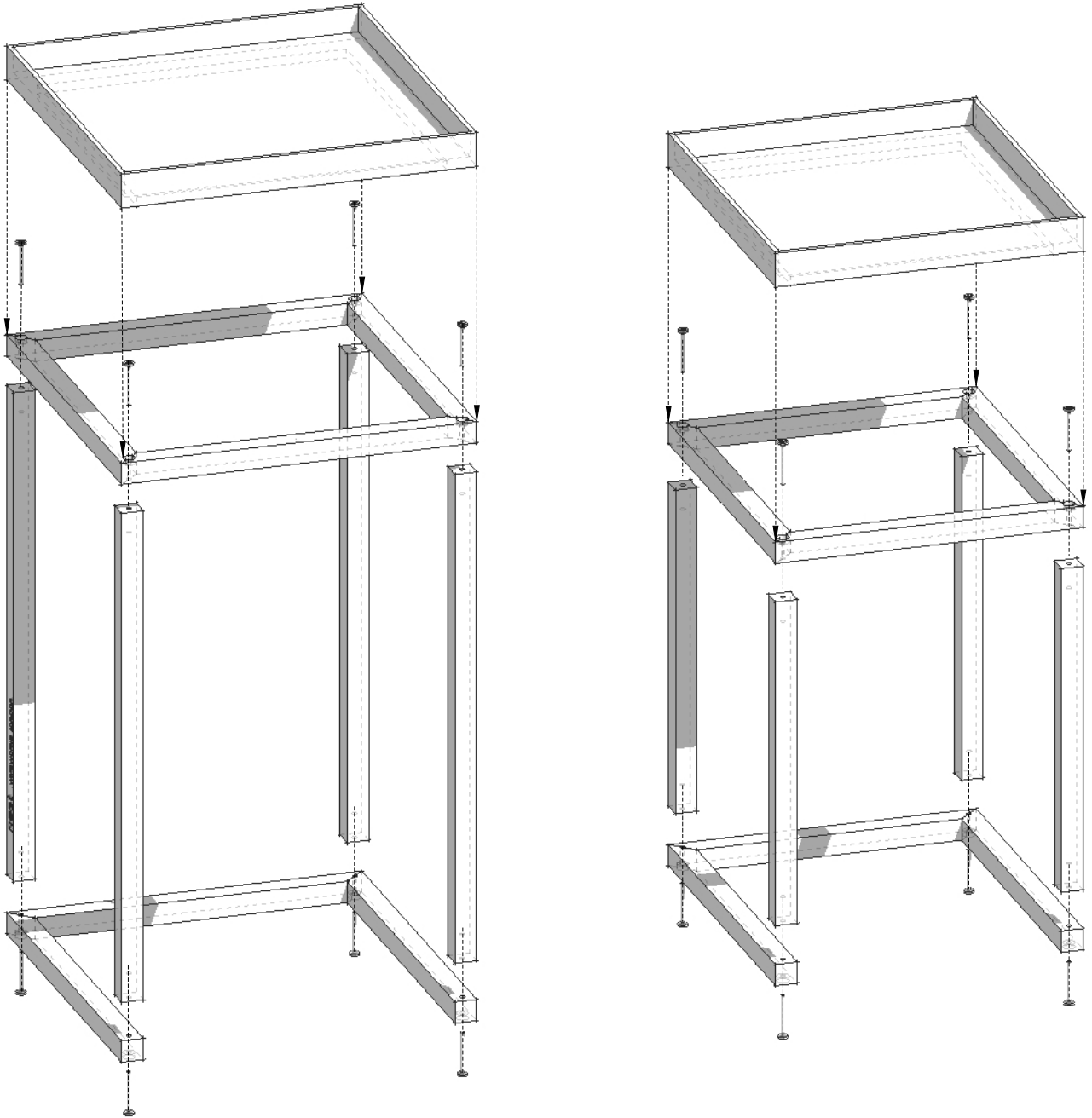
- clean using a warm soapy cloth. Do not use abrasive cleaners as these may damage the surface finish.
- check stability and strength of assembled table before use.
- do not overtighten screws during assembly.
- do not place hot items on flat surfaces as they may damage the surface finish.
- beware ! - some liquids may stain the laquered finishes



**.wireworks**  
london

## Assembly instructions.

Fix the legs to the top frame and the bottom frame using supplied screws for each table as shown. Before fully tightening the screws, put on a flat surface to check alignment.



**caution**

please use foam packaging during assembly to prevent damage to surface finishes.