

Thank you for buying 'Slim - laptop writing table'

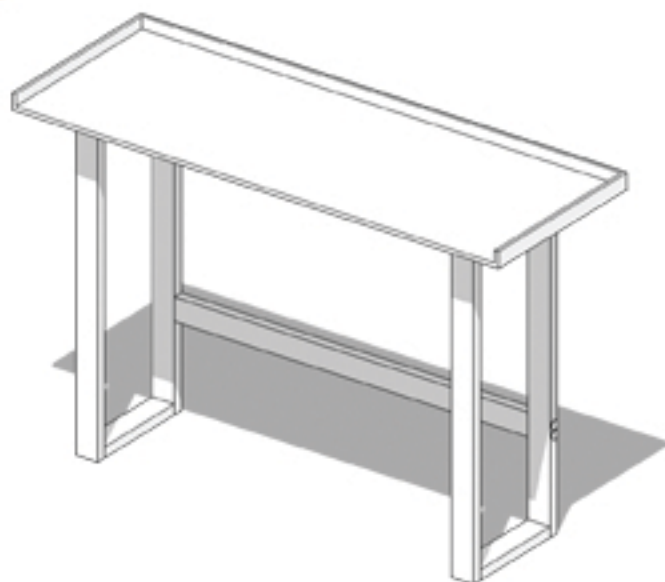
Assembly instructions.

Parts:

- ① table top - x 1
- ② table legs - x 2
- ③ leg brace - x 1
- ④ hole cover - x 8

tools (supplied):

- Allen key - x 1



Fixings:

- Ⓐ allen key screws - x 8

Assembly steps:

Place table top ① upside down on foam packaging. Use allen key and allen key screws Ⓐ to fix table legs ② to the table top ①. Do not fully tighten the screws Ⓐ at this stage.

Fix leg brace ③ using allen key and allen key screws Ⓐ.

Set table on flat surface. Check stability and alignment and fully tighten all screws.

To complete assembly, stick hole covers ④ as shown.

Care instructions:

wipe clean using a soft damp cloth.

do not use abrasives cleaners which may contain ammonia or solvents and could damage the surface finish.

do not expose to excessive heat or humidity.

do not leave in prolonged contact with water.

Caution:

adult assembly required.

this item contains small parts that have sharp points and edges in the unassembled state.

take care not to scratch surface finishes when unpacking and during assembly.

