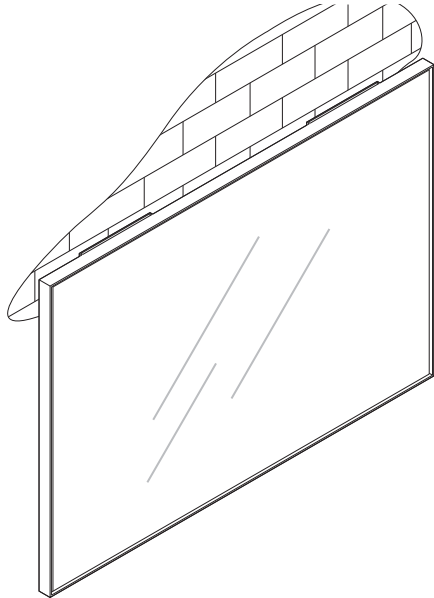


ASSEMBLY INSTRUCTION FOR MIRROR INSTALLATION



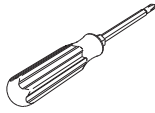

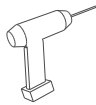
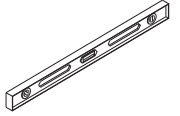
AS WALL MATERIALS VARY, SCREWS FOR FIXING TO WALL ARE NOT INCLUDED. FOR ADVICE ON SUITABLE SCREW SYSTEMS, CONTACT YOUR LOCAL SPECIALISED DEALER.



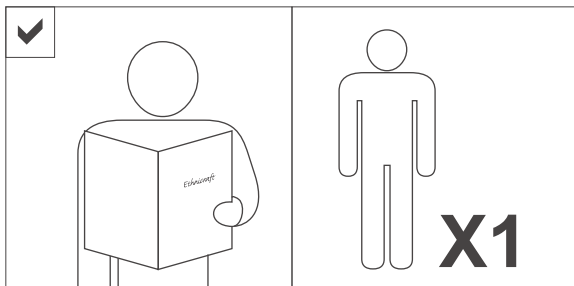
HARDWARE ENCLOSED



TOOLS

 <p>CROSS-HEAD SCREW DRIVER (not included in package)</p>	 <p>PENCIL (not included in package)</p>
 <p>DRILLING MACHINE (not included in package)</p>	 <p>WATERPASS (not included in package)</p>

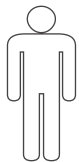
NOTICE



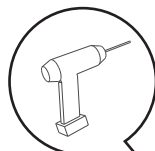
SYMBOLS



DIRECTION



NUMBER OF
PERSON NEEDED



USE DRILLING
MACHINE



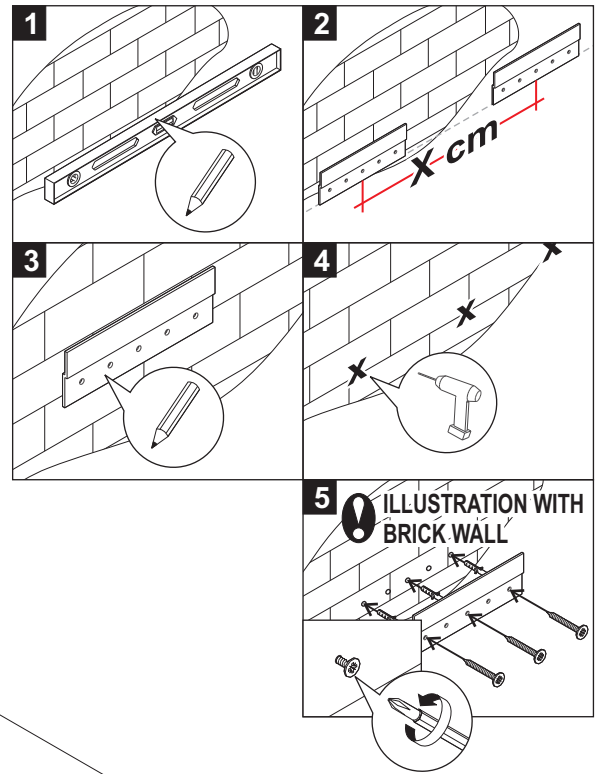
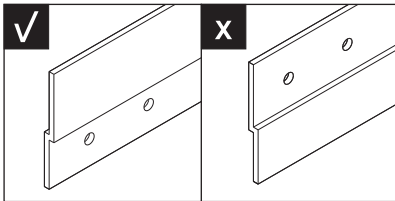
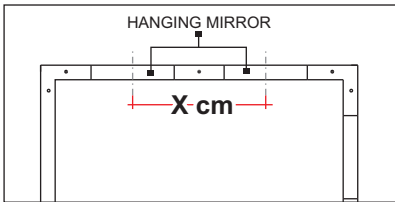
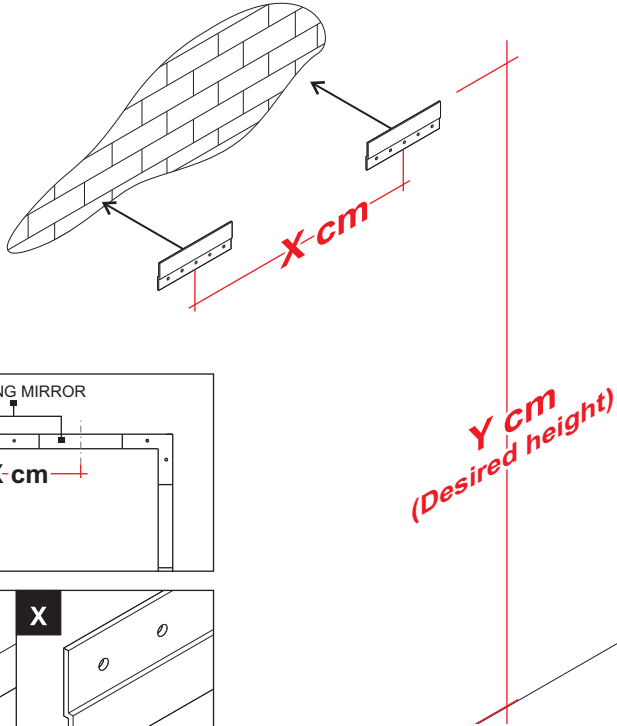
USE SCREW DRIVER
TO TIGHTEN



USE PENCIL

ASSEMBLY INSTRUCTION FOR MIRROR INSTALLATION

1 INSTALLING HANGING HARDWARE ON THE WALL



2 HANGING MIRROR TO THE HANGING HARDWARE

