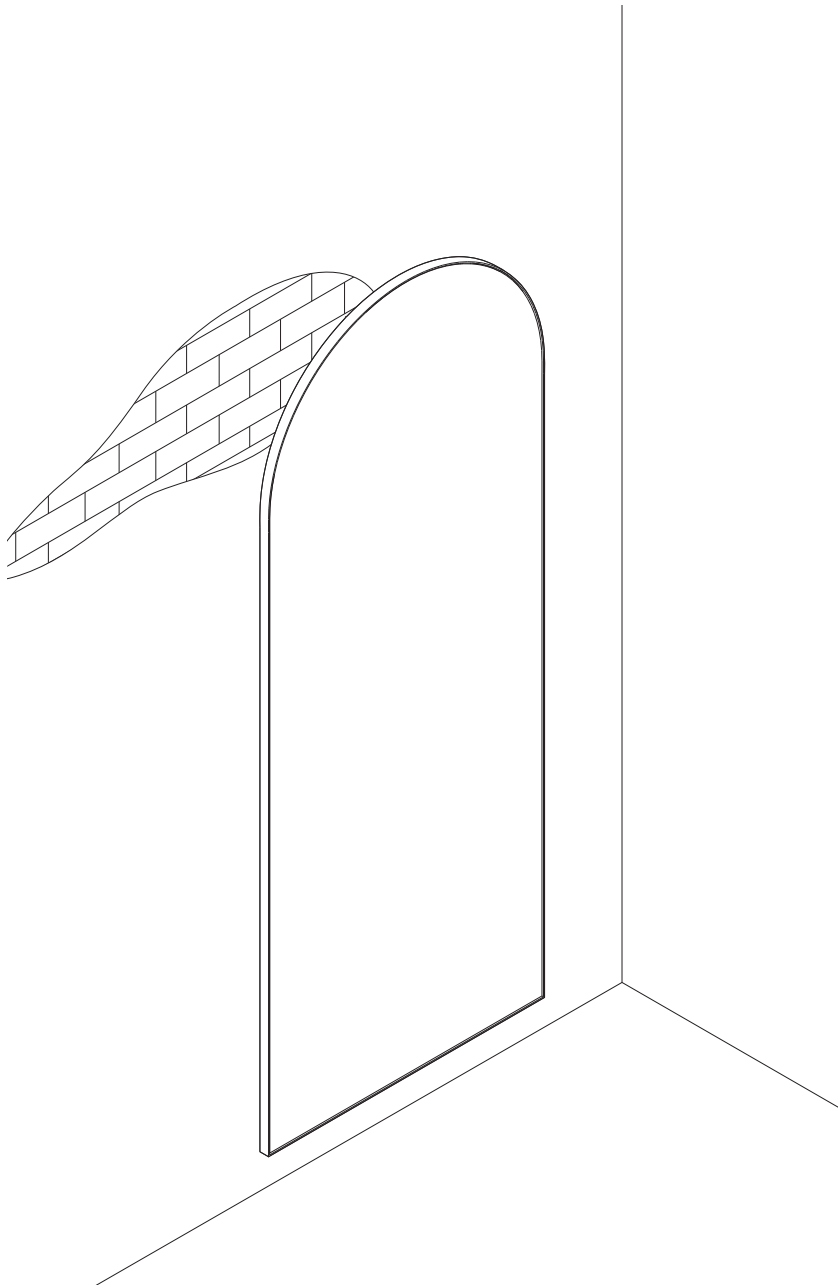
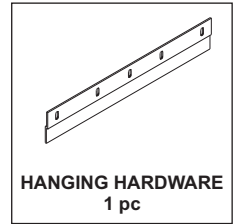


GATE MIRROR ASSEMBLY INSTRUCTIONS FOR MIRROR INSTALLATION

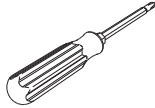


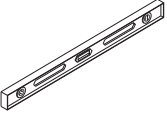


AS WALL MATERIALS VARY, SCREWS FOR FIXING TO WALL ARE NOT INCLUDED. FOR ADVICE ON SUITABLE SCREW SYSTEMS, CONTACT YOUR LOCAL SPECIALISED DEALER.

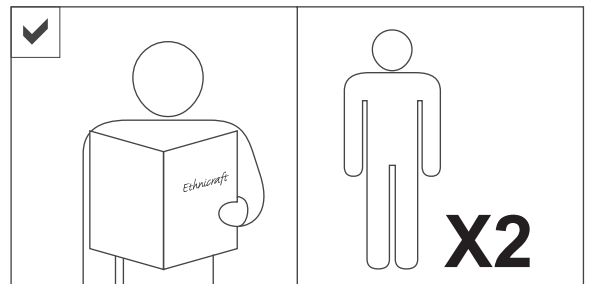
HARDWARE ENCLOSED



TOOLS

 CROSS-HEAD SCREWDRIVER <small>(not included in package)</small>	 PENCIL <small>(not included in package)</small>
 DRILLING MACHINE <small>(not included in package)</small>	 WATERPASS <small>(not included in package)</small>

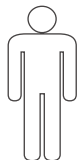
NOTICE



SYMBOLS



DIRECTION



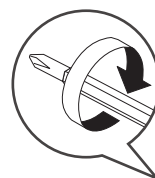
NUMBER OF PERSON NEEDED



USE HAND



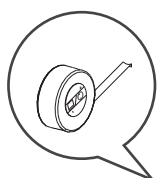
USE DRILLING MACHINE



USE SCREWDRIVER TO TIGHTEN



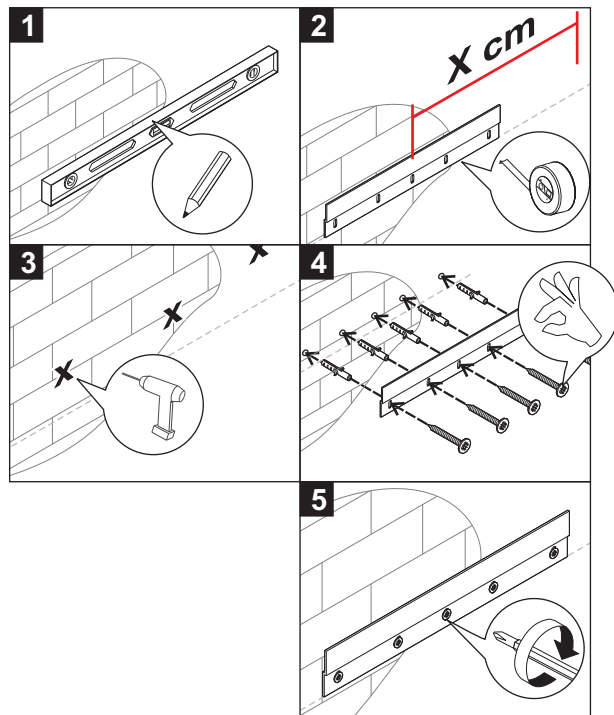
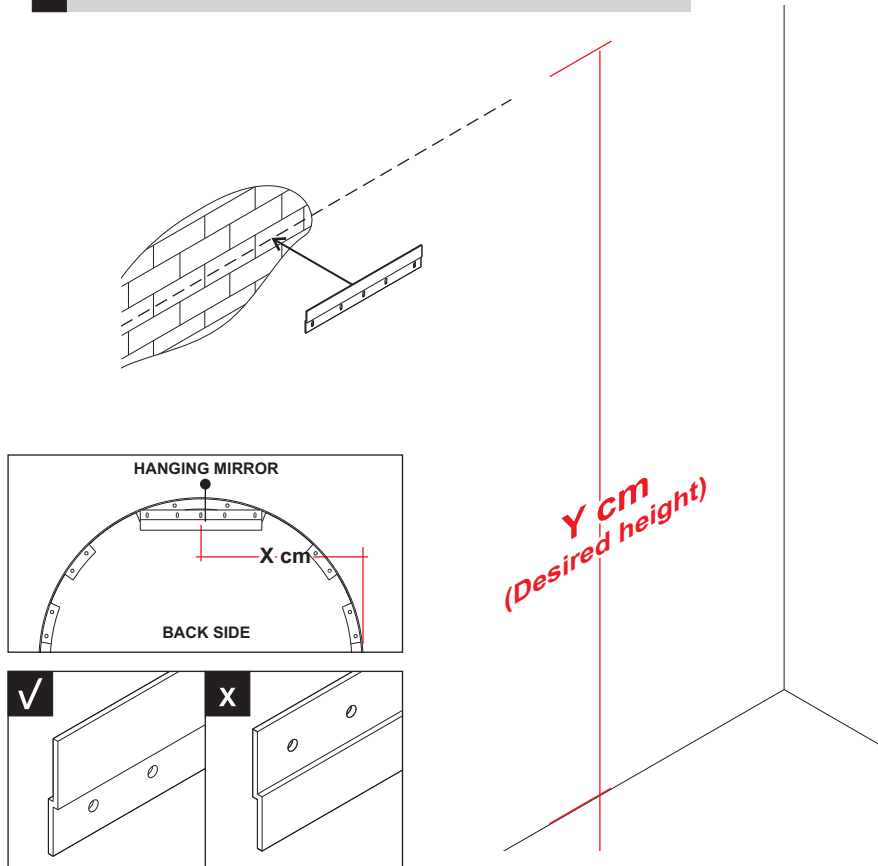
USE PENCIL



USE MEASURING TOOL

GATE MIRROR ASSEMBLY INSTRUCTIONS FOR MIRROR INSTALLATION

1 INSTALLING HANGING HARDWARE ON THE WALL



- USE HANGING HARDWARE
- USE WATERPASS FOR ALIGNMENT
- ILLUSTRATION WITH BRICK WALL

2 HANGING MIRROR TO THE HANGING HARDWARE

