

Thank you for buying 'Damien round table'
Assembly instructions.

Fixings:

Round crosshead screw - x8

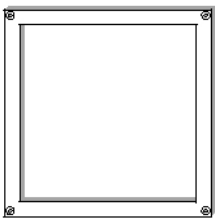
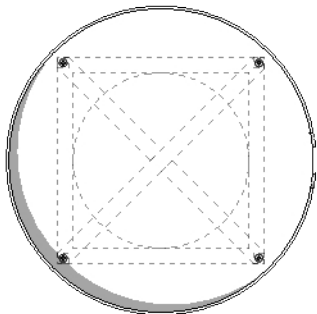
Tools required:

Crosshead screwdriver

Parts (as marked):

caution:

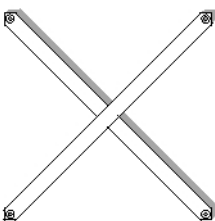
please use foam packaging during assembly to prevent damage to surface finishes.



x 1



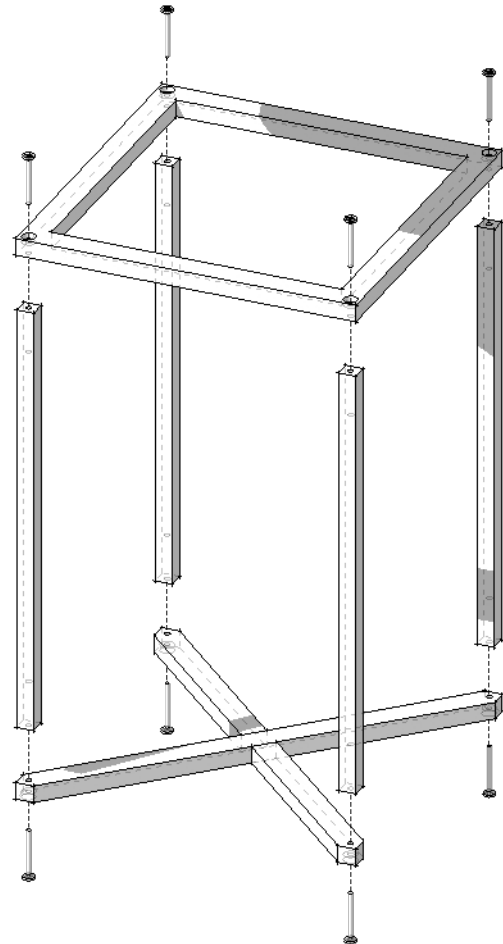
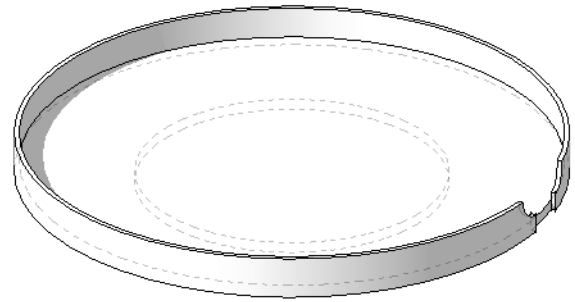
x 4



x 1



x 8



- clean using a warm soapy cloth. Do not use abrasive cleaners as these may damage the surface finish.

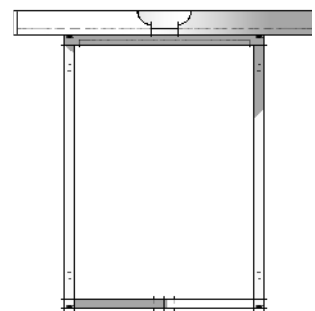
- check stability and strength of assembled table before use.

- do not overtighten screws during assembly.

- do not place hot items on flat surfaces as they may damage the surface finish.

- beware ! - some liquids may stain the laquered finishes

8kg
max



.wireworks
london