


Thank you for buying 'Heel bar - shoe tidy'
Assembly instructions.

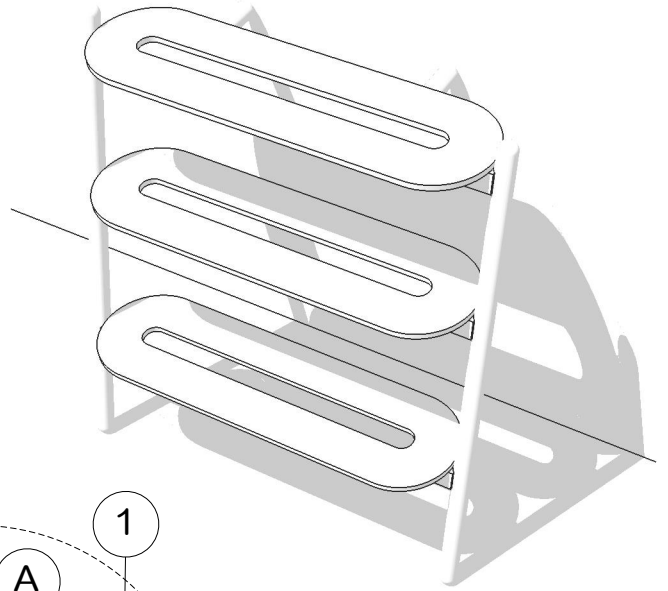
Please read the instructions and warnings carefully before use to ensure safe and satisfactory operation of this product.

Parts:

- ① Shoe shelves x3
- ② Side support legs x2

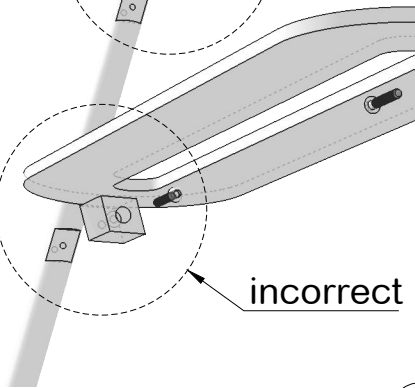
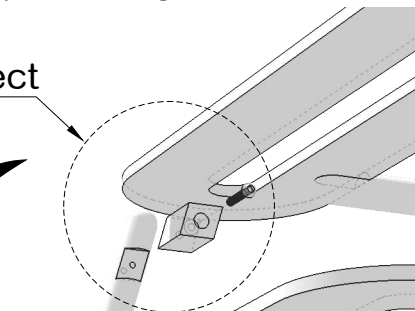
Fixings:

- (A) Screws 35mm x6
- (B) Allen key 

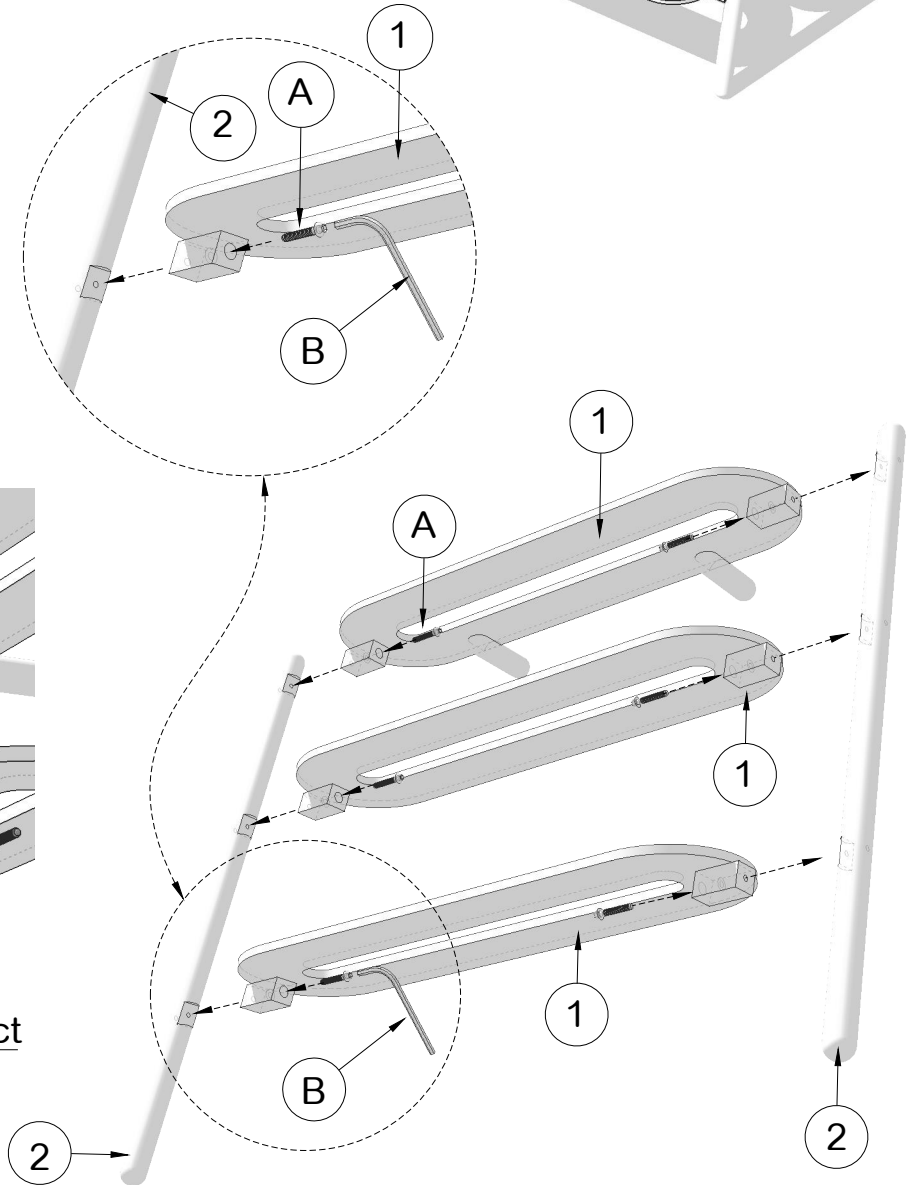


Shelf positioning:

correct



incorrect



Cleaning:

Wipe using a damp cloth with mild soap solution; do not use substances containing abrasives.

Warnings:

Check stability before use.
Do not stand, sit or climb on this product.
Maximum load per shelf - 3kg