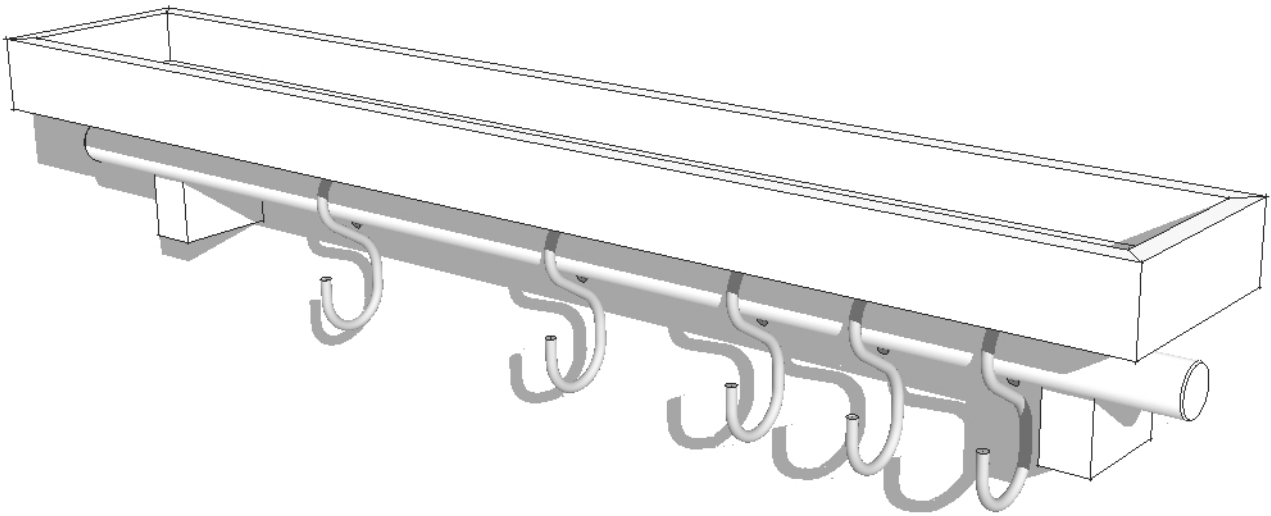


Thank you for buying 'Cook house - utensils rail shelf'

## Installation instructions.

Please read the instructions and warnings carefully before use to ensure safe and satisfactory operation of this product.

Utensils rail shelf is supplied with screws and wall plugs suitable for a stone or brick wall. For other wall types (eg. hollow plasterboard) alternative fixings will be required. If in doubt, consult a qualified person.

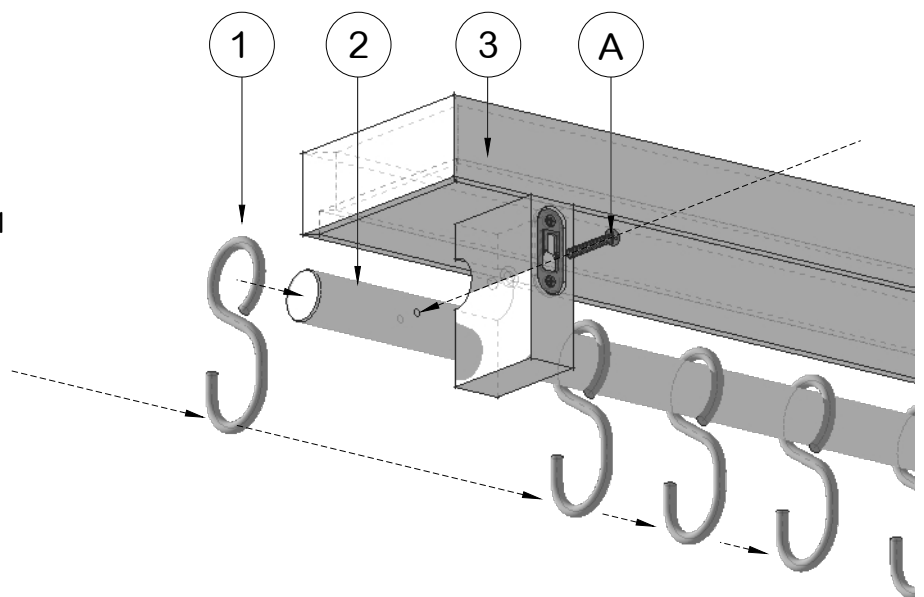


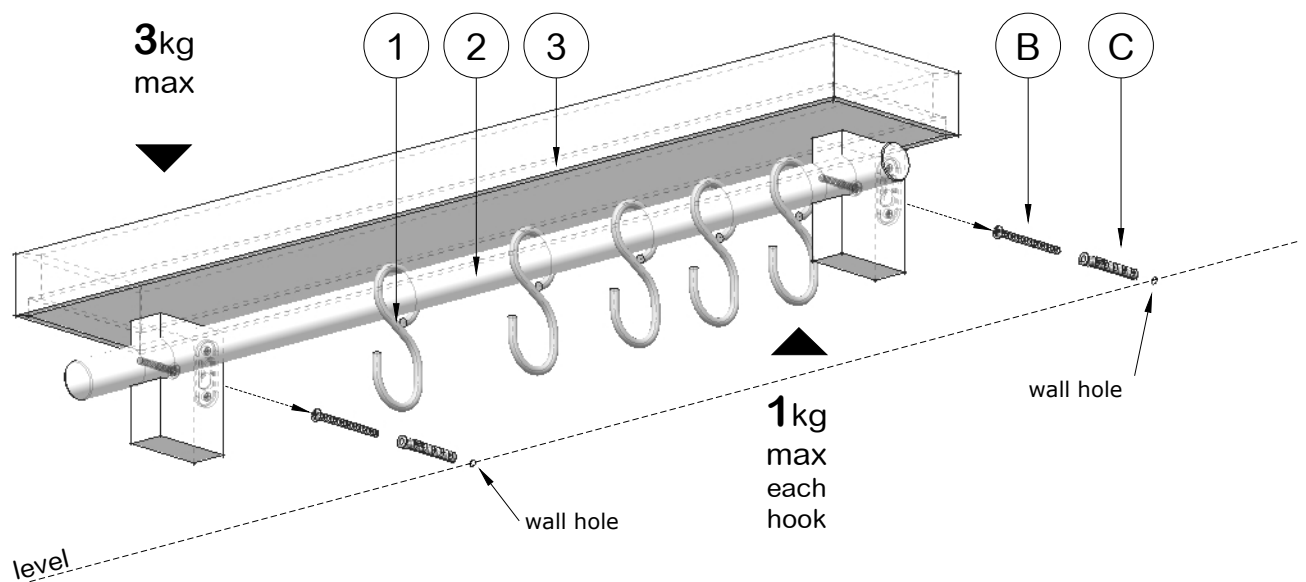
### Parts:

- ① Stainless steel hooks x5
- ② Wooden rail x1
- ③ Utensils shelf with supports x1

### Fixings:

- Ⓐ Rail screw 25mm x2
- Ⓑ Wall screws 50mm x2
- Ⓒ Wall plugs 40mm x2





### Fitting Instructions:

You will need a power drill, masonry drill bits, medium crosshead screwdriver, a spirit level and pencil to install this product. Ensure the wall surface is of suitable strength and construction before hanging. If in doubt consult a qualified professional.

Carefully measure the position for the keyhole hanging slots on the back of the shelf and mark the hole positions for the wall plugs on the wall using a spirit level to check alignment.

Drill holes to depth of 45mm and push in wall plugs so they are flush.

\*Helpful hint: To accurately drill wall holes, first use a smaller drill bit. Then change to the larger drill bit size and re-drill.

Fix wall screws securely leaving screw heads protruding 4mm from the wall.

Slide the hooks onto the rail and fix the rail using the two screws provided.

Guide the keyhole hanging slots onto the wall screws and check it's securely fixed to the wall before use. Adjust the depth of the wall screws if necessary.

Total maximum load 7kg

### Cleaning:

Wipe using a damp cloth with mild soap solution; do not use substances containing abrasives.