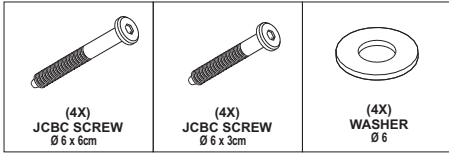
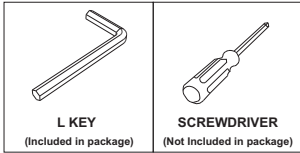


OAK DOUBLE EXTENDABLE DINING TABLE ASSEMBLY INSTRUCTION FOR DINING TABLE INSTALLATION

HARDWARE

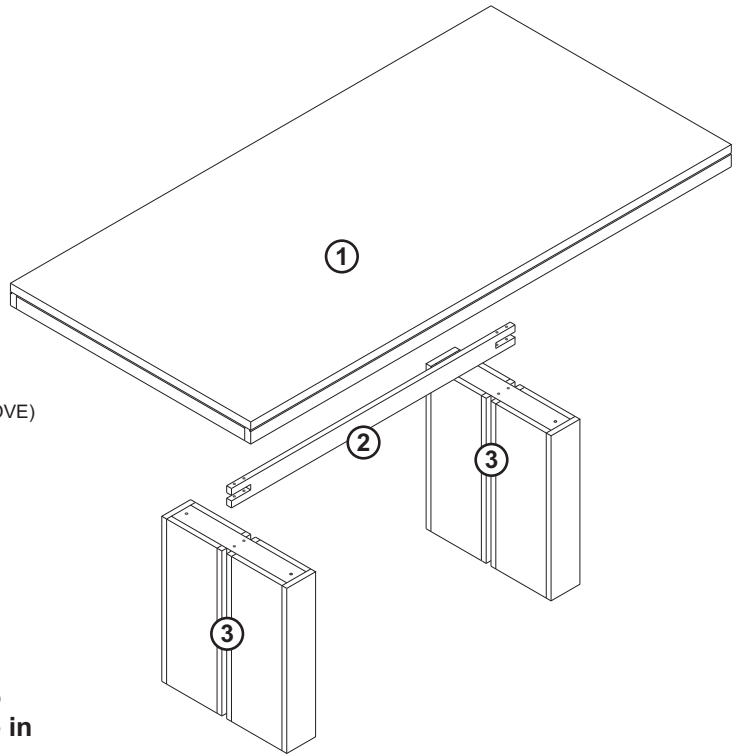


TOOLS



IN YOUR PACKAGE :
ASSEMBLY INSTRUCTION
HARDWARE (AS LISTED ABOVE)

PARTS TO BE INSTALLED
1. TOP PANEL 1pc
2. CONNECTING BAR 1pc
3. LEGS 2pcs



RECOMMENDATION :



In order to avoid colour differences between the fixed table top and the extensions due to UV light, we suggest to put your dining table in extended version during the first month.

SYMBOLS



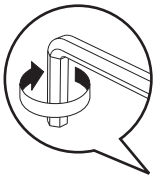
DIRECTION



NUMBER OF PERSONS NEEDED



USE HAND

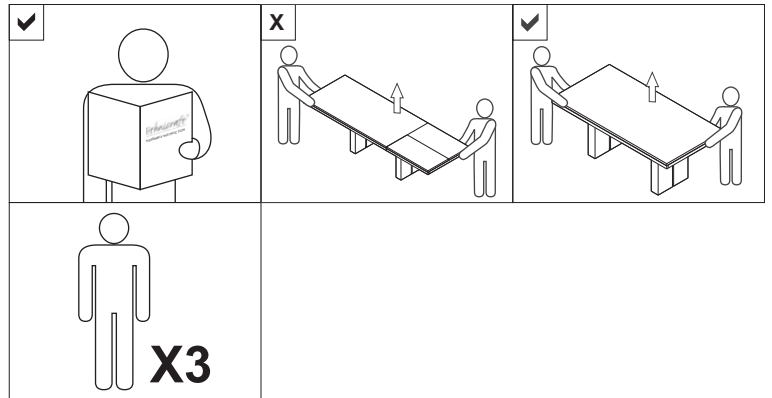


USE L KEY



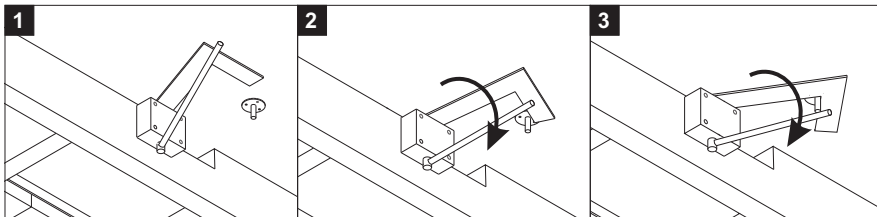
USE SCREWDRIVER

NOTICE

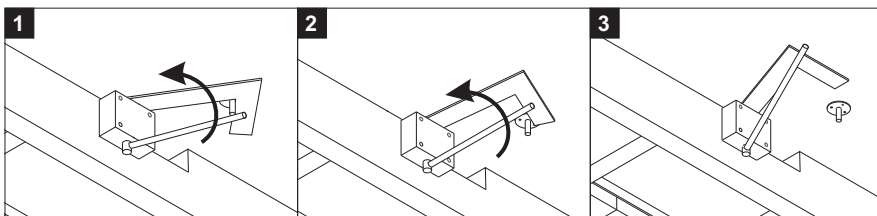


WHEN LIFTING THE TABLE :
- LIFT ONLY ON THE APRON
- MAKE SURE TABLE IS IN UNEXTENDED POSITION

LOCK THE TABLE TOP

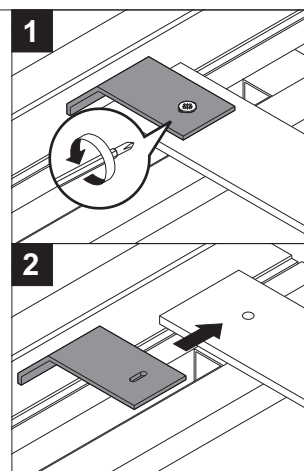
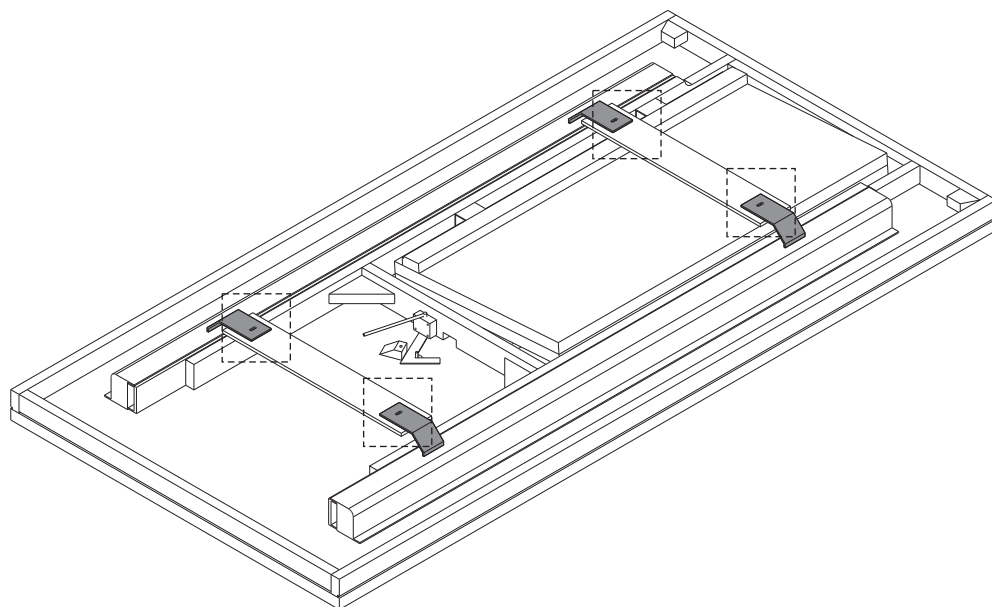


UNLOCK THE TABLE TOP



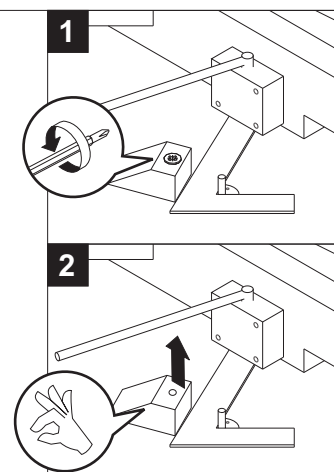
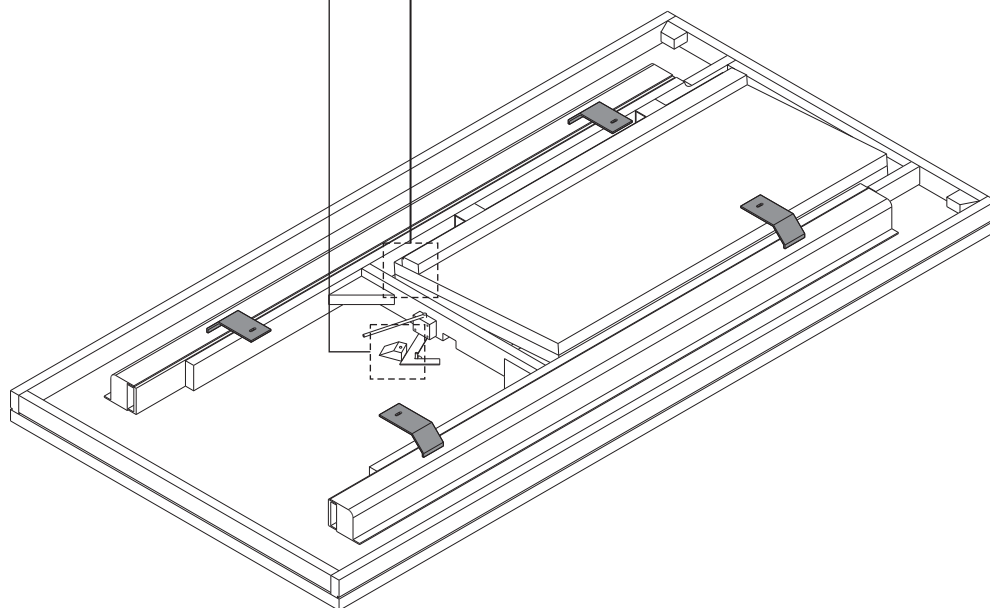
OAK DOUBLE EXTENDABLE DINING TABLE
ASSEMBLY INSTRUCTION FOR DINING TABLE INSTALLATION

A. REMOVING THE WOODEN LOCKER



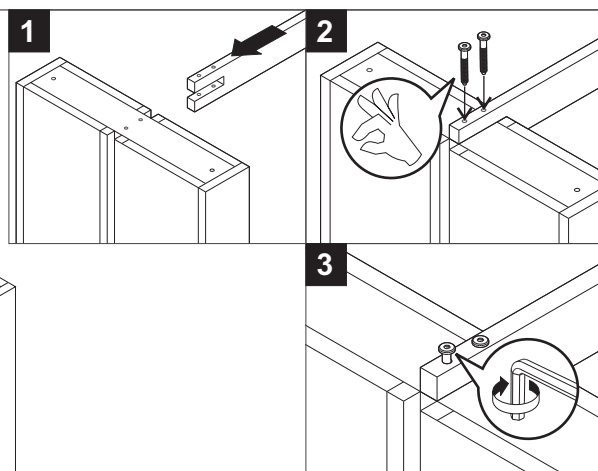
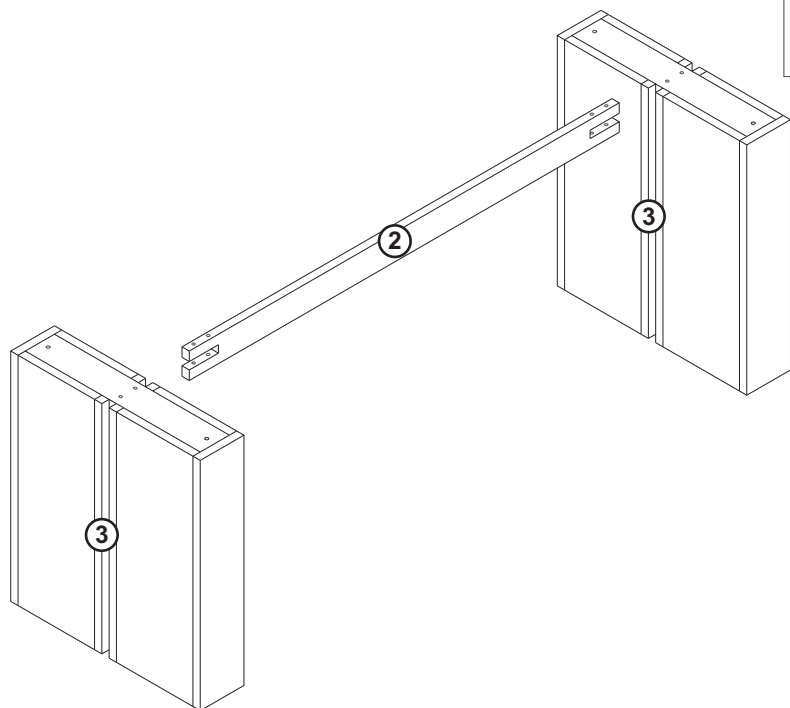
B. REMOVING THE WOODEN LOCKER

Position of
wooden locks



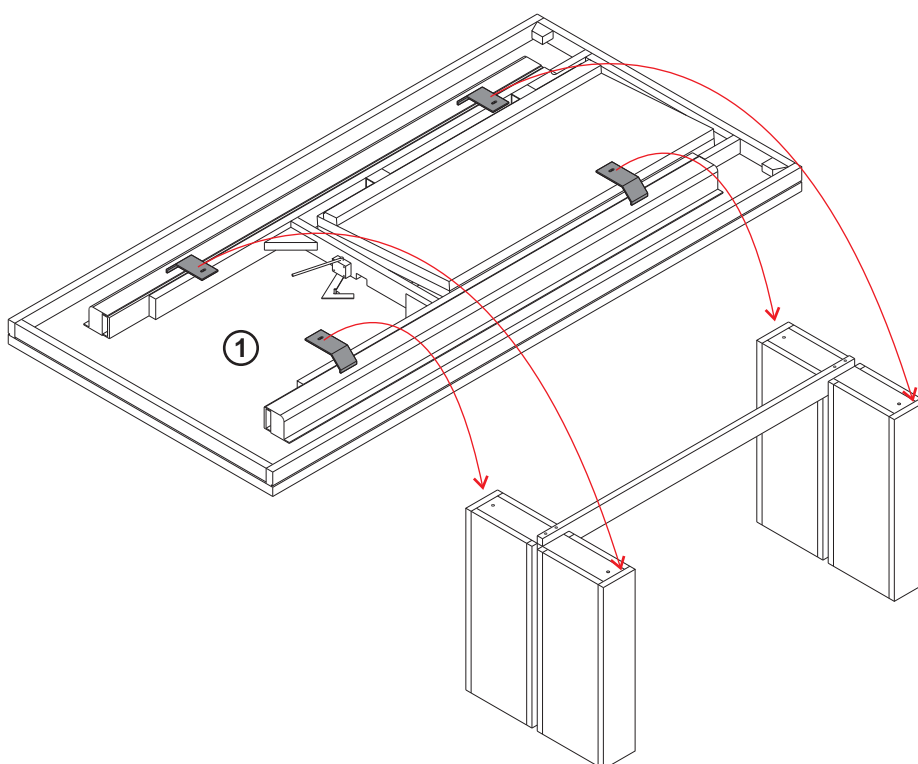
OAK DOUBLE EXTENDABLE DINING TABLE
ASSEMBLY INSTRUCTION FOR DINING TABLE INSTALLATION

C. INSTALLING THE CONNECTING BAR



 USE JCBC SCREWS Ø 6 x 6cm

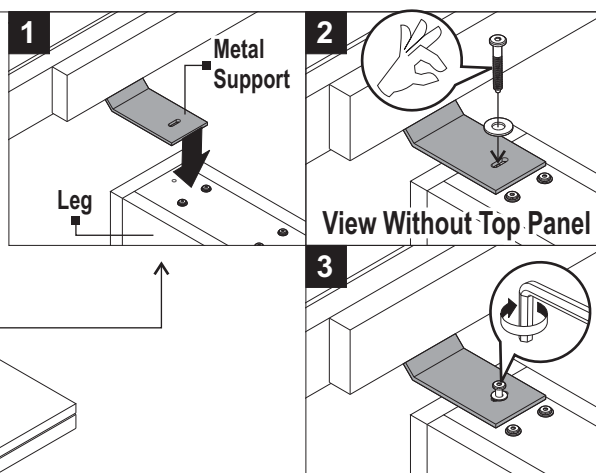
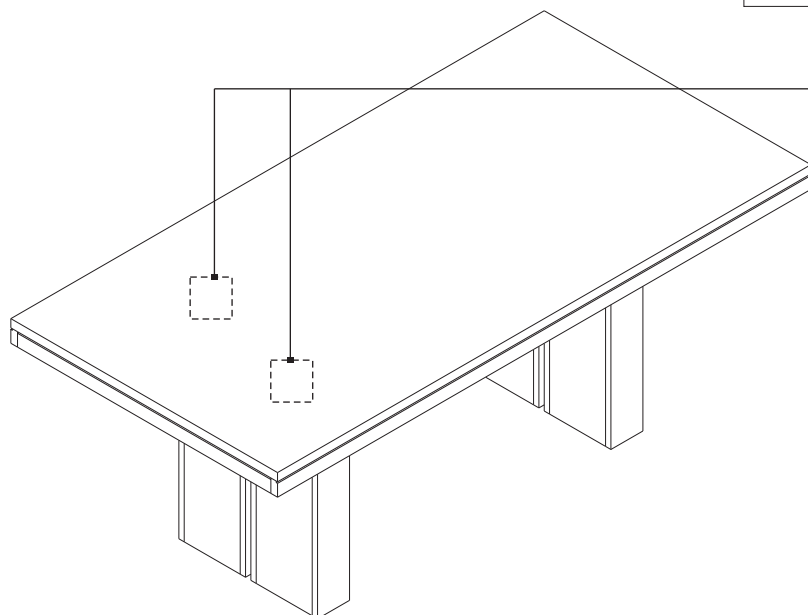
D. INSTALLING THE TABLE TOP TO THE CONNECTING BAR



 MAKE SURE TABLE TOP IS LOCKED POSITION

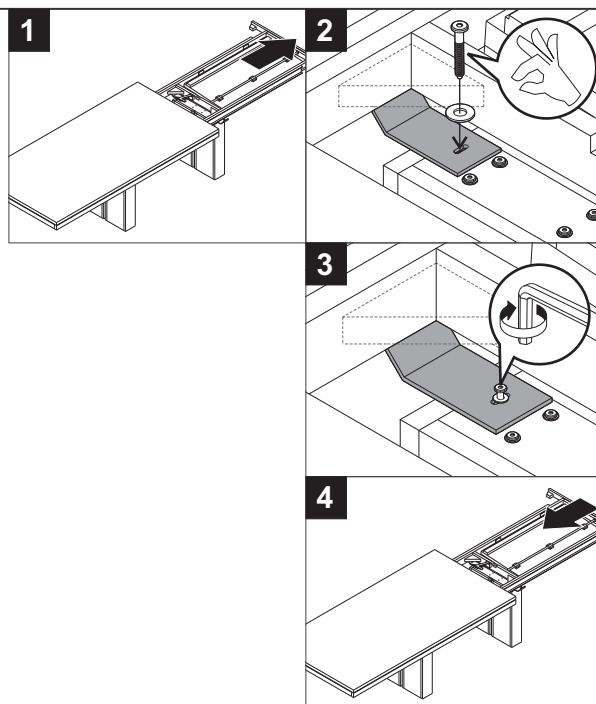
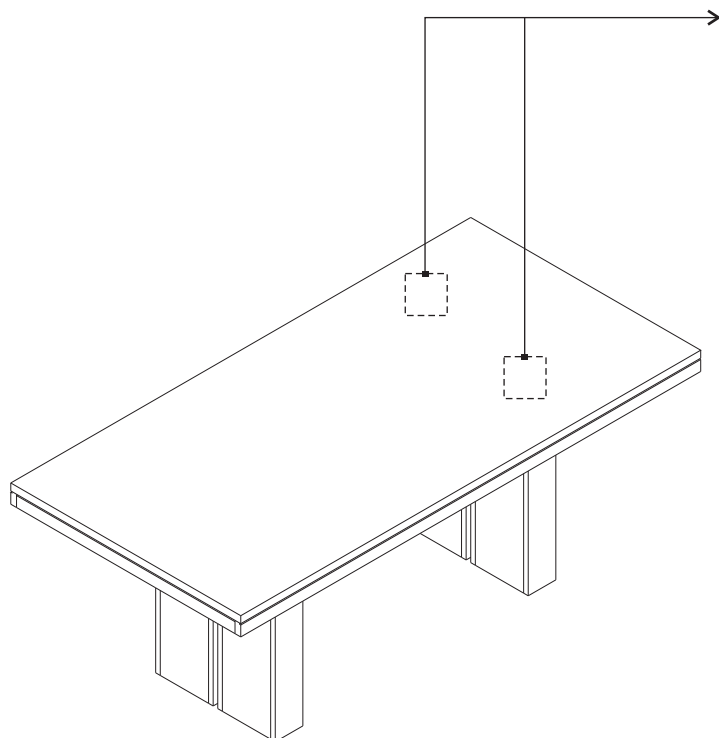
**OAK DOUBLE EXTENDABLE DINING TABLE
ASSEMBLY INSTRUCTION FOR DINING TABLE INSTALLATION**

E. FIXING THE TABLE TOP TO THE CONNECTING BAR



 **USE JCBC SCREWS Ø 6 x 3cm**

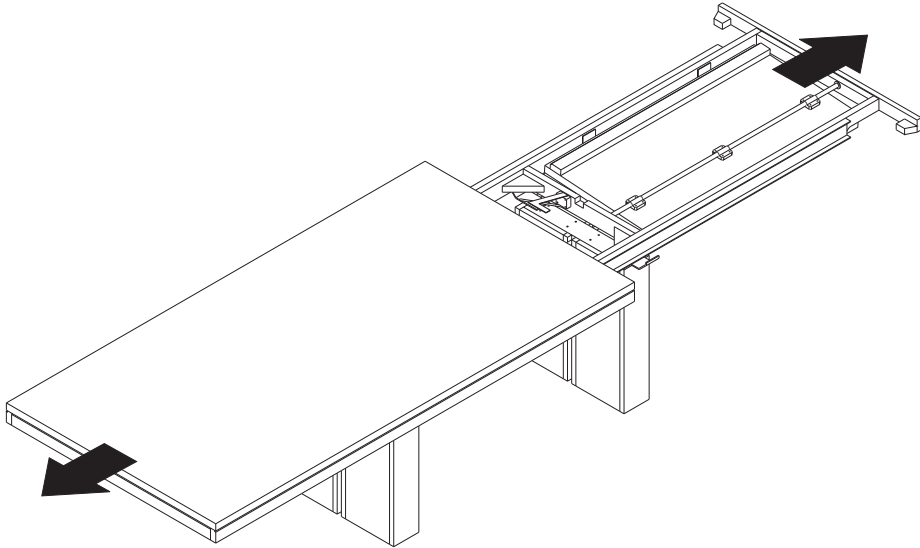
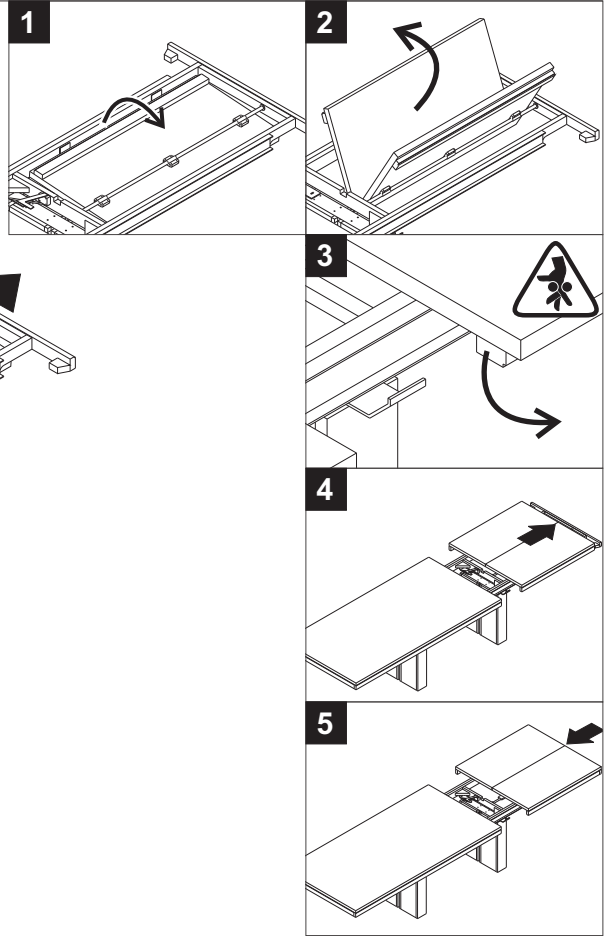
F. FIXING THE TABLE TOP TO THE CONNECTING BAR



 **- MAKE SURE TABLE TOP IS IN UN-LOCKED POSITION
- USE JCBC SCREWS Ø 6 x 3cm**

OAK DOUBLE EXTENDABLE DINING TABLE
ASSEMBLY INSTRUCTION FOR DINING TABLE INSTALLATION

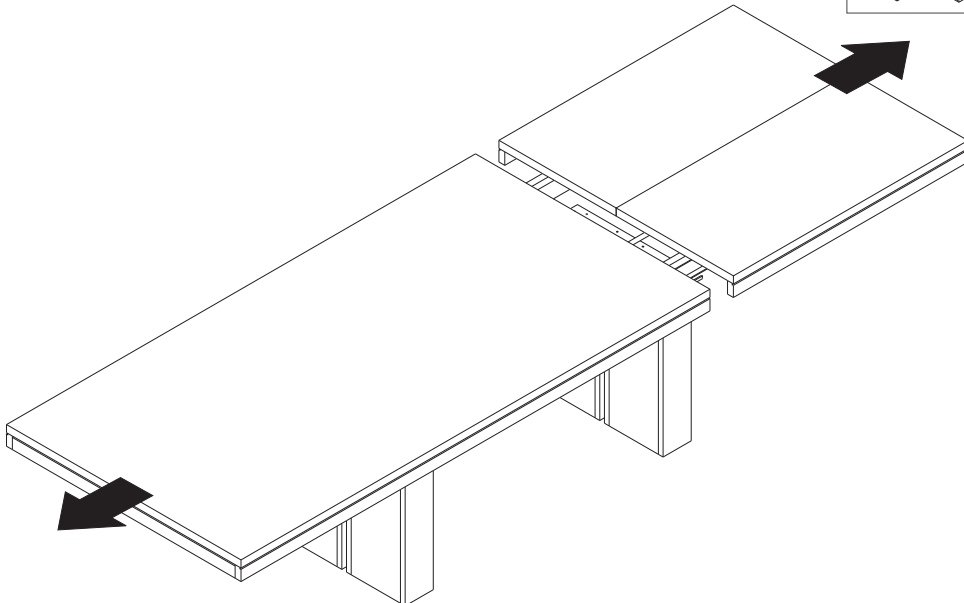
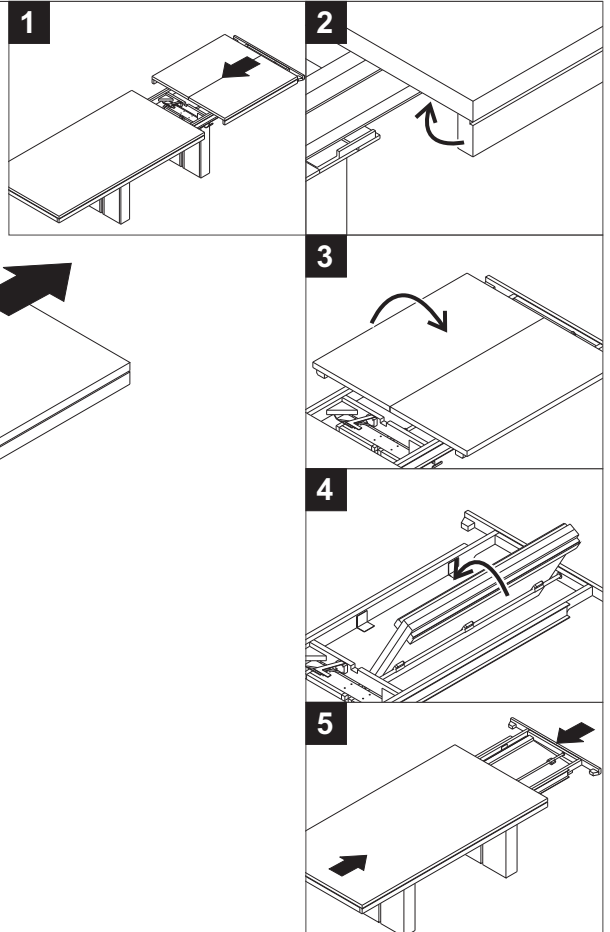
G. EXTENDING



- UNLOCK BEFORE EXTENDING
- SHOULD BE FULLY EXTENDED
- LOCK AFTER EXTENDING
- BE CAREFUL WITH YOUR HANDS



H. DISMANTLING



- UNLOCK BEFORE DISMANTLING
- LOCK AFTER DISMANTLING