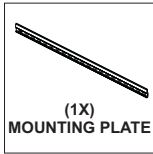


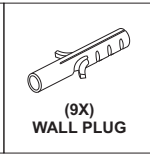
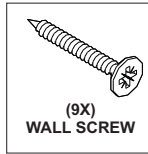
12195 - 12197 ANCESTORS TABWA TV CUPBOARD ASSEMBLY INSTRUCTION FOR CUPBOARD INSTALLATION

HARDWARE

Included in package

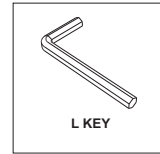


Not included in package

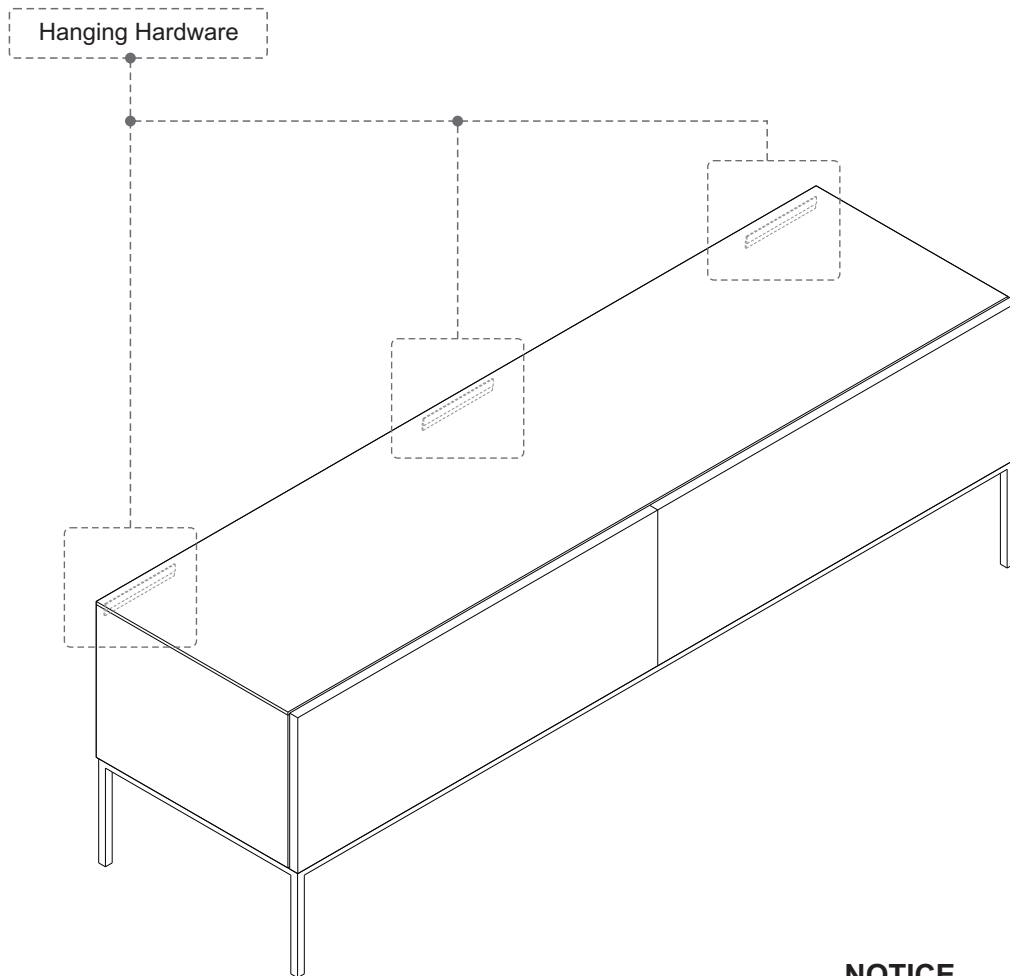
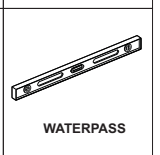
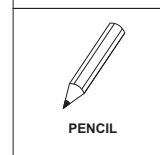


TOOLS

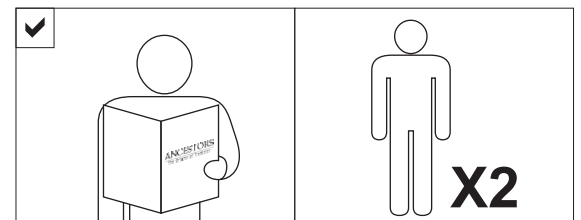
Included in package



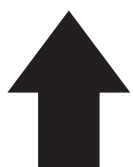
Not included in package



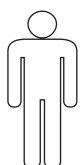
NOTICE



SYMBOLS



DIRECTION



NUMBER OF
PERSONS NEEDED



USE DRILLING MACHINE
TO TIGHTEN



USE L KEY
TO TIGHTEN



USE SCREWDRIVER
TO TIGHTEN



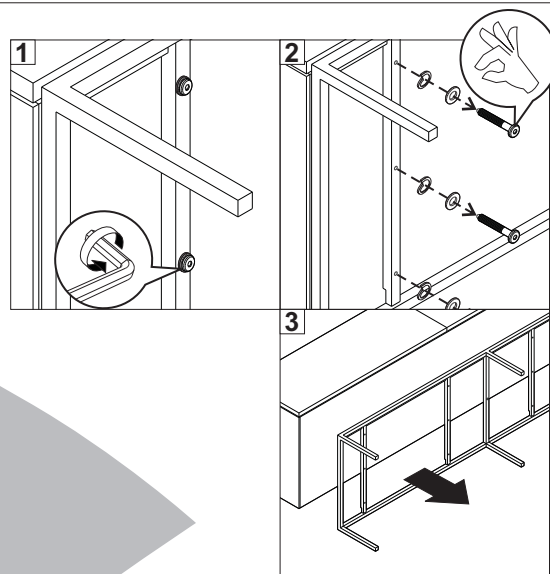
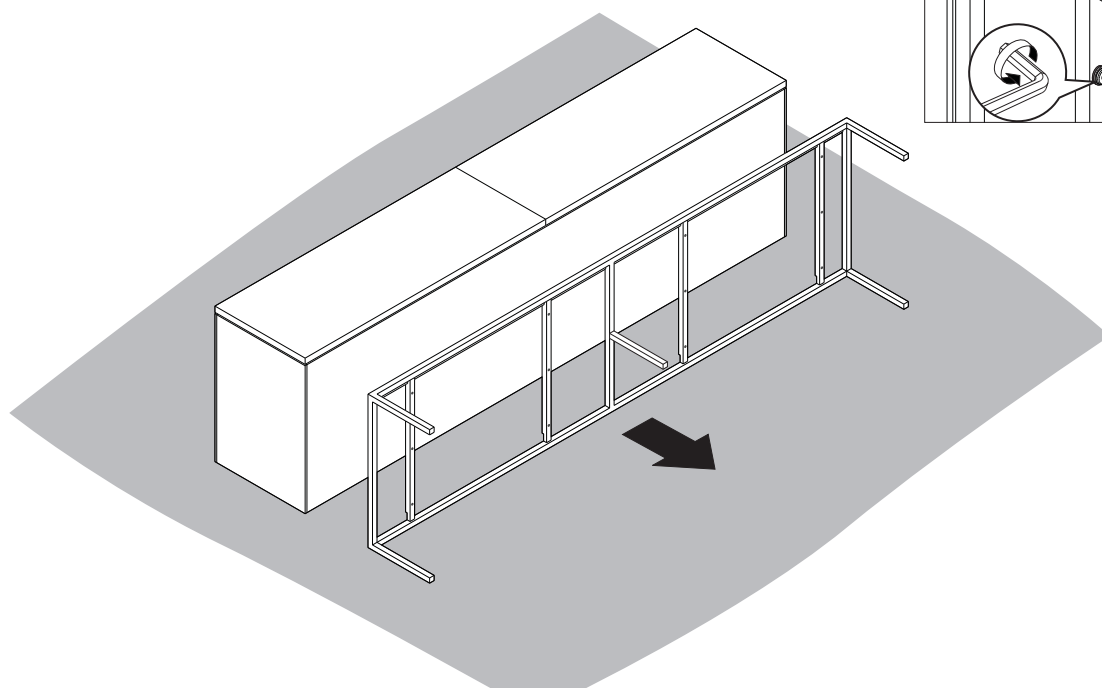
USE PENCIL



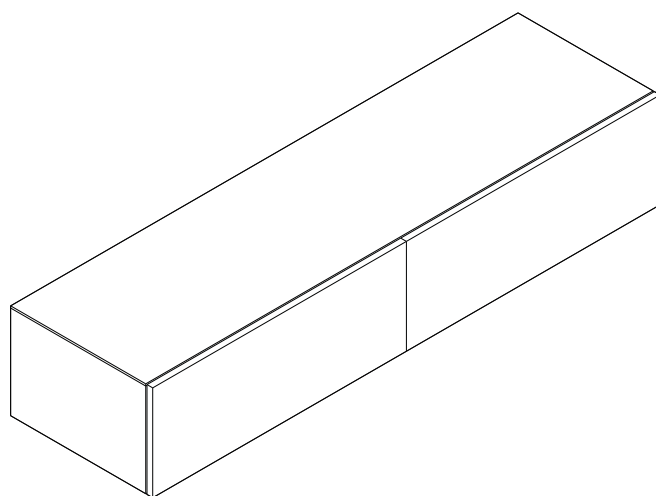
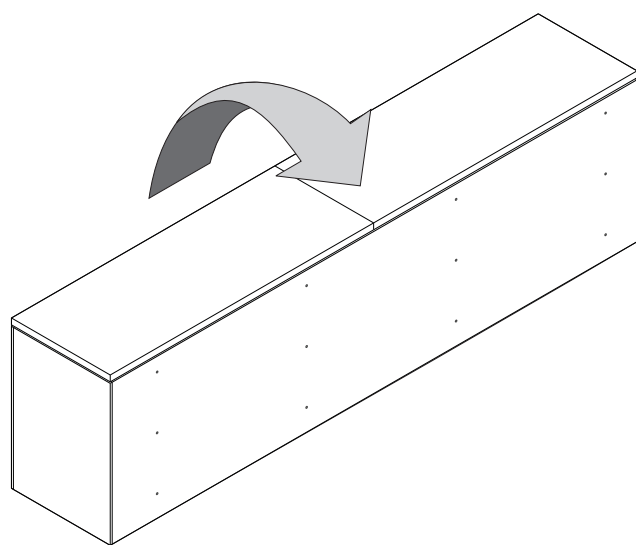
USE HAND

12195 - 12197 ANCESTORS TABWA TV CUPBOARD
ASSEMBLY INSTRUCTION FOR CUPBOARD INSTALLATION

RELEASING LEG



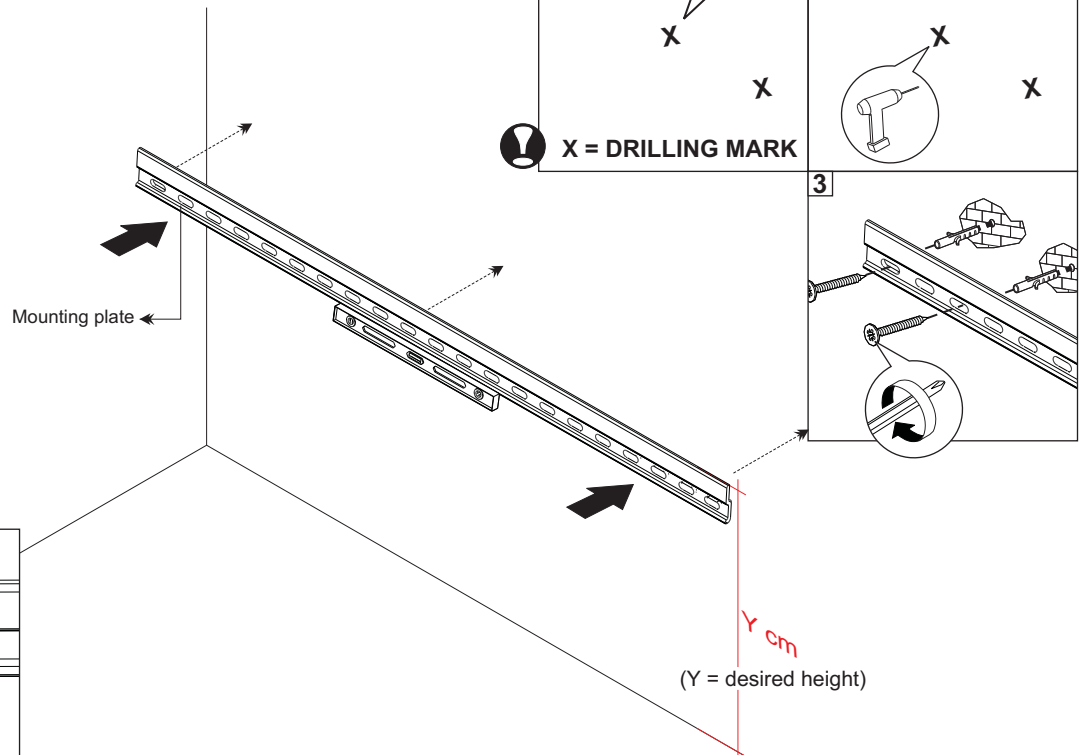
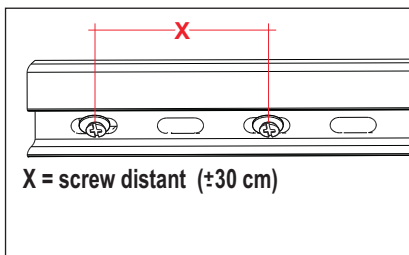
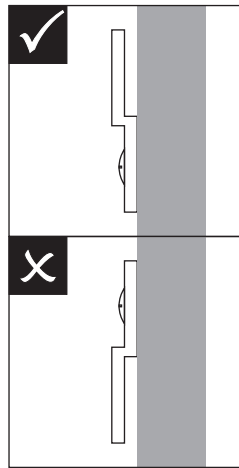
-  - USE CARPET OR ANY PROTECTIVE SURFACE TO AVOID THE ITEM FROM SCRATCH
- MAKE SURE THE SHELVES ARE NOT INSTALLED WHEN ASSEMBLE THE LEG



12195 - 12197 ANCESTORS TABWA TV CUPBOARD ASSEMBLY INSTRUCTION FOR CUPBOARD INSTALLATION

HANGING CABINET

A. INSTALLING MOUNTING PLATE



B. INSTALLING ITEM TO MOUNTING PLATE

