



**Moulded rubber**

---

**Catalogue**

## ProAuto Rubber Moulded Rubber Parts

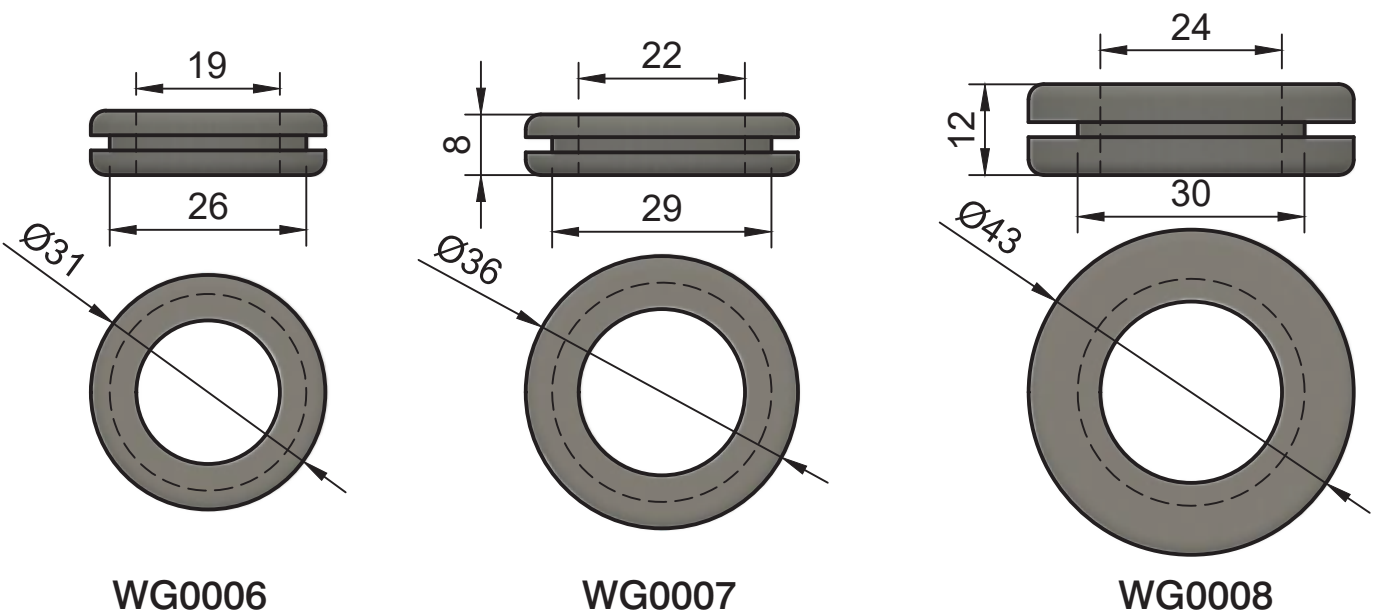
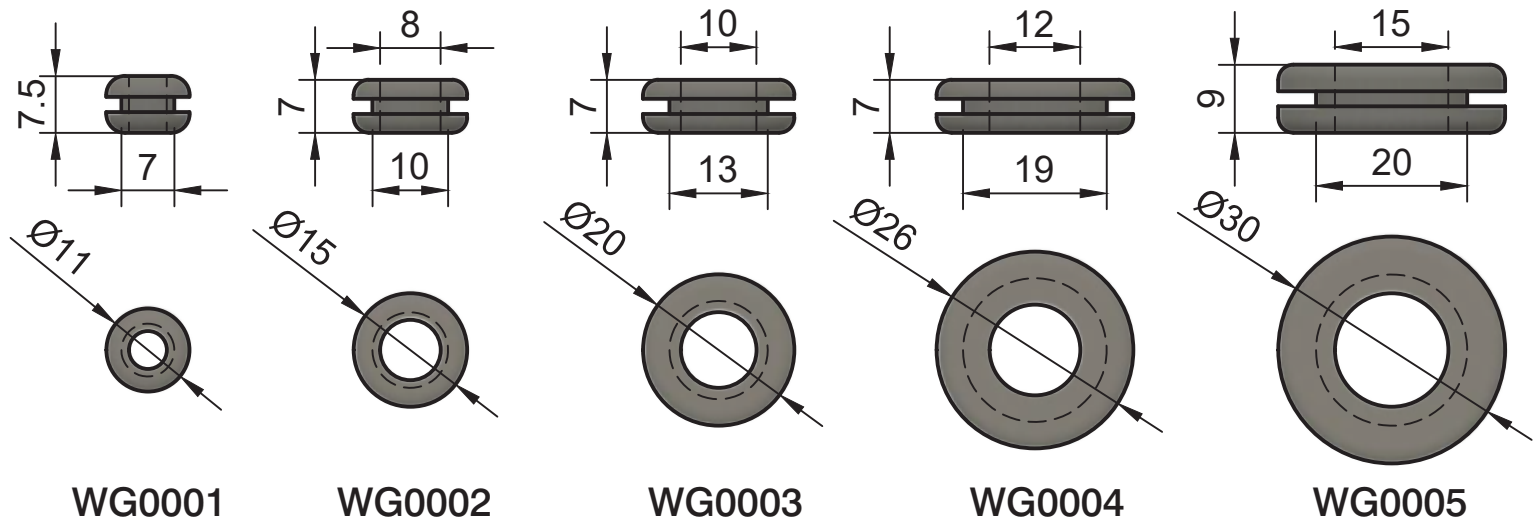
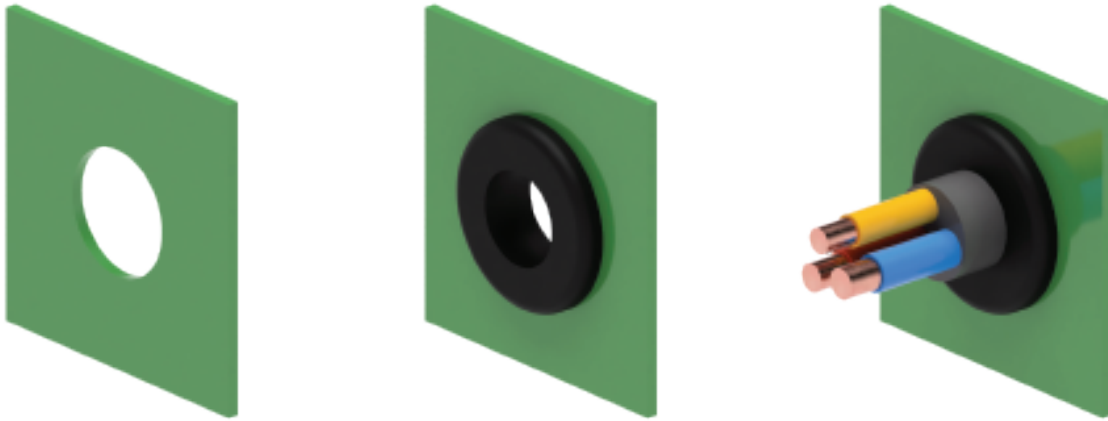
Moulded rubber parts are made by injecting rubber into a cavity or inserting rubber slugs into a press mold. Most of our moulded rubber parts are made of EPDM Rubber but occasionally we keep PVC versions for different applications. Our moulded rubber parts include grommets, exhaust hangers, cv boots, steering boots and much more. Our moulded rubber parts are procured for commercial cars, trailers, caravans and canopies.

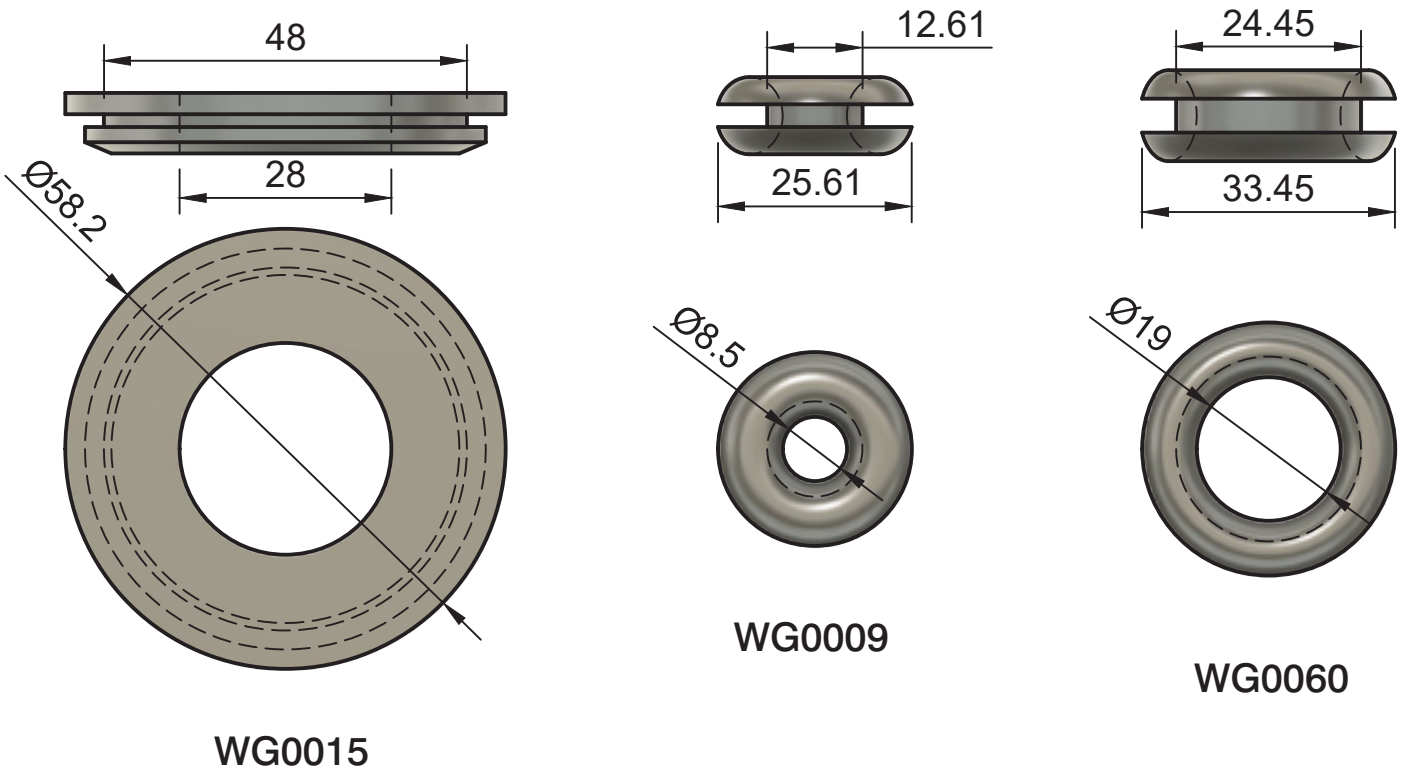
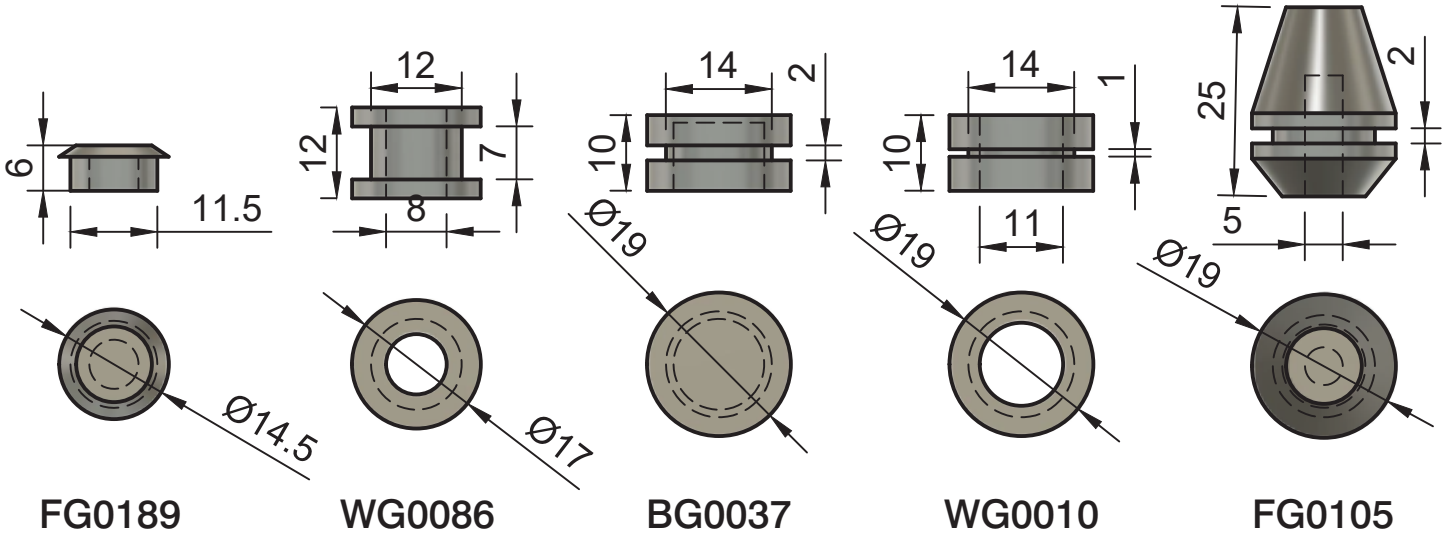
## Index

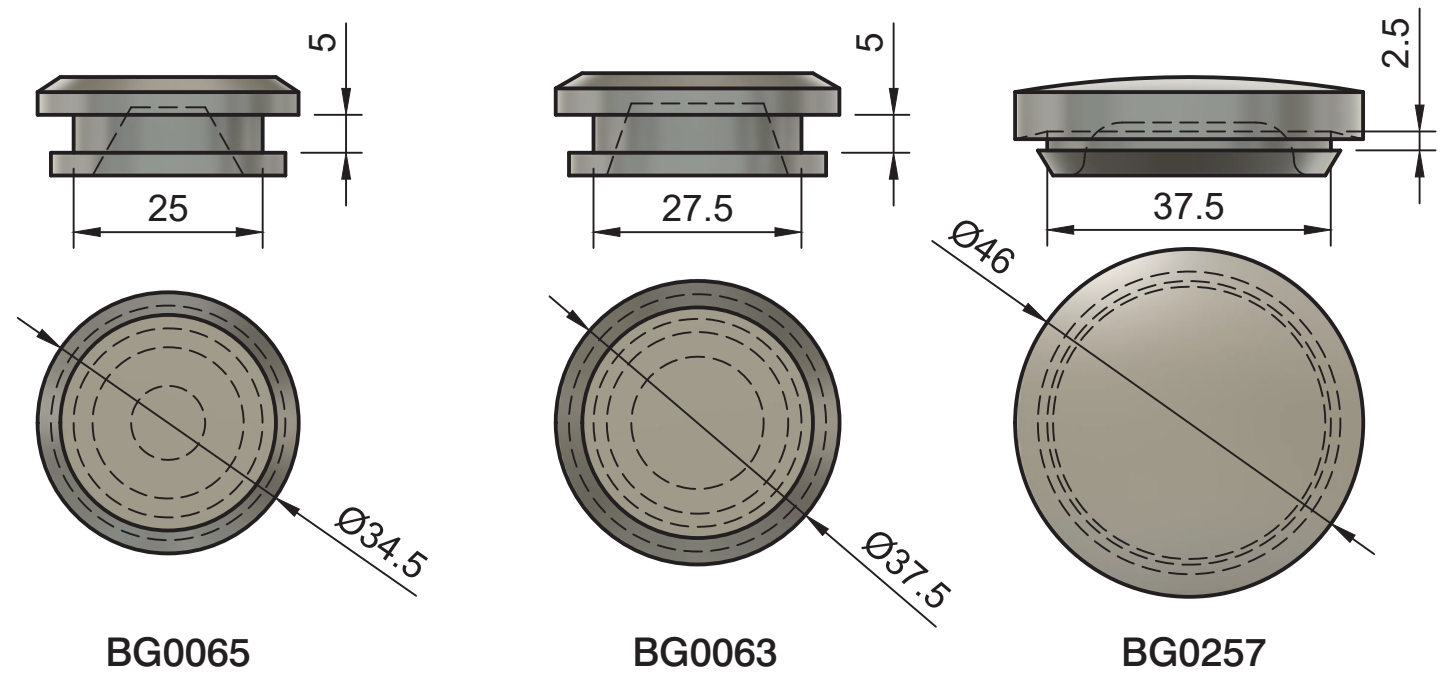
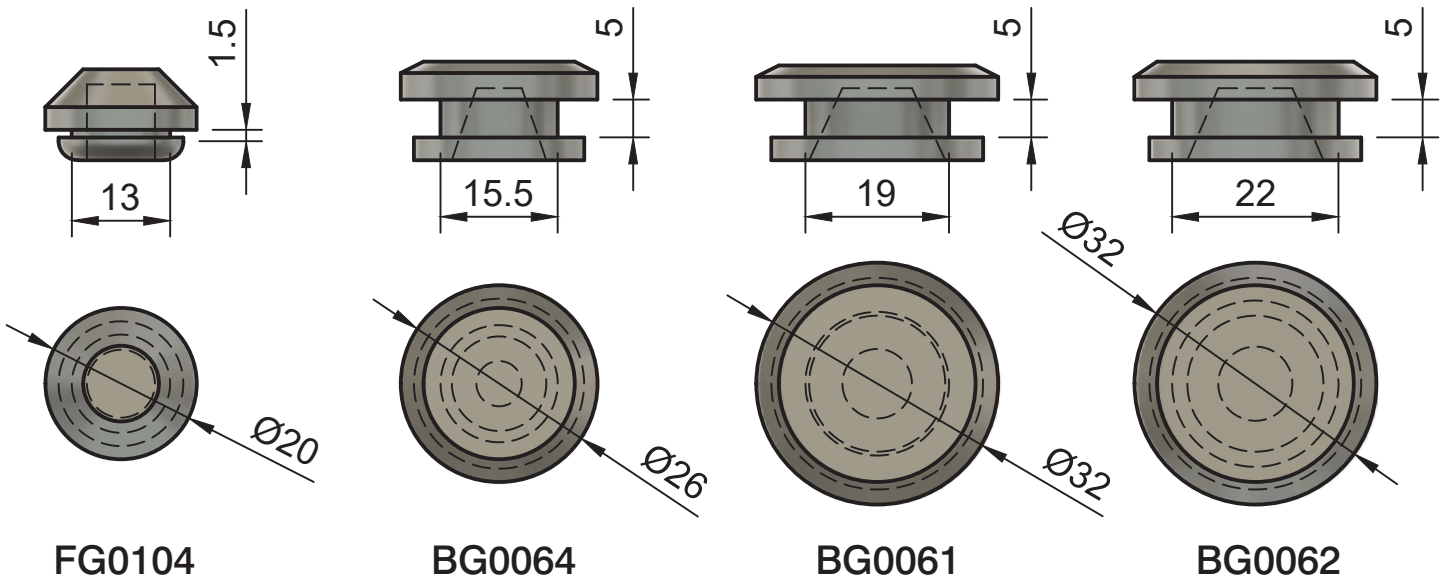
Wire Grommets	1-2
Blind Grommets	3-5
Filler Grommets	6
Ferrules	7-9
Exhaust hangers	10-12
Dust covers	12
Rubber bushes	13
Pedal rubbers	14
Cable protectors	14
Rubber Cover	15
Brick grabs	16
Dockfenders	17-18
Rubber Blocks	19
Anti Vibration Mounts	20-22

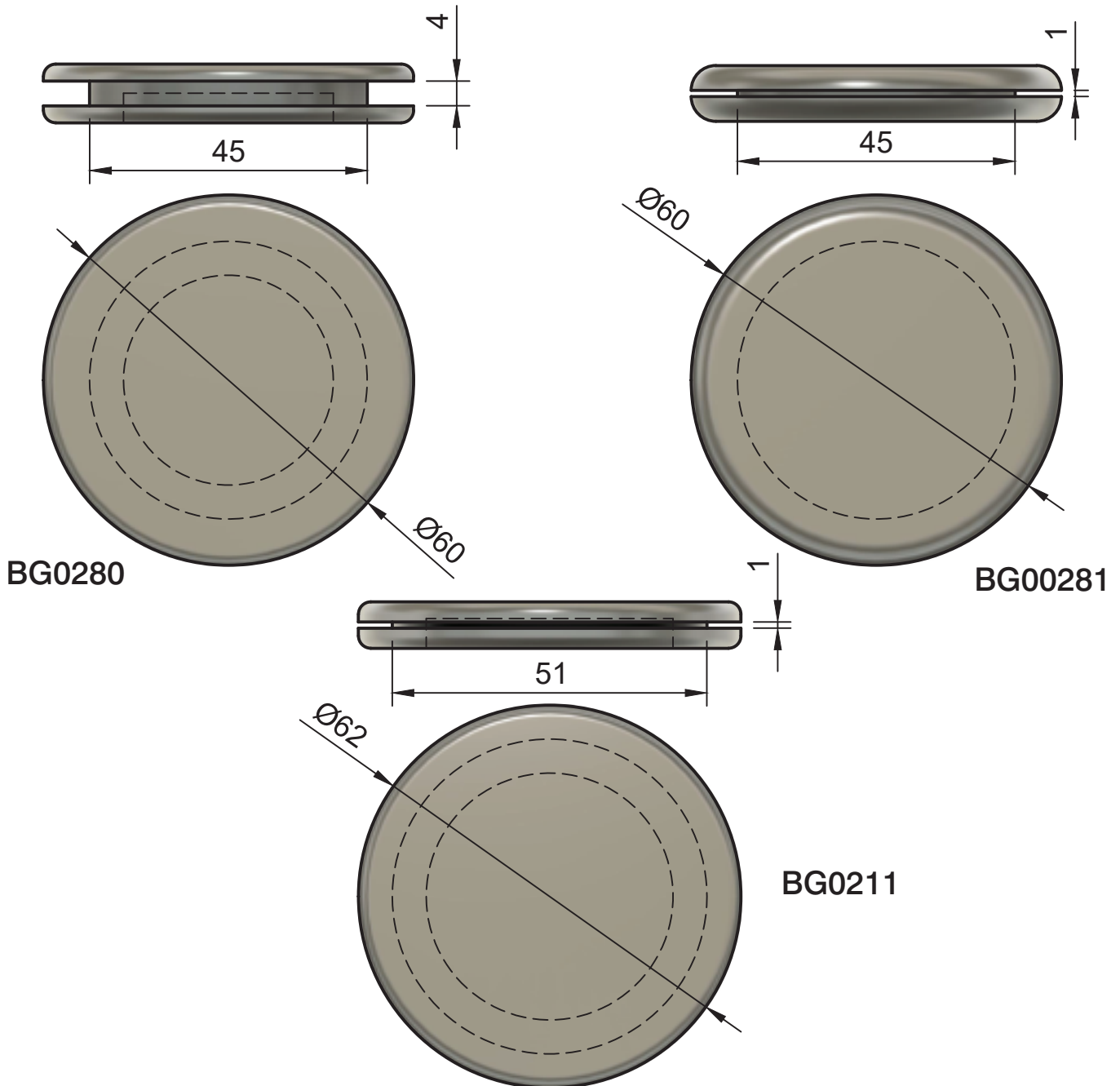
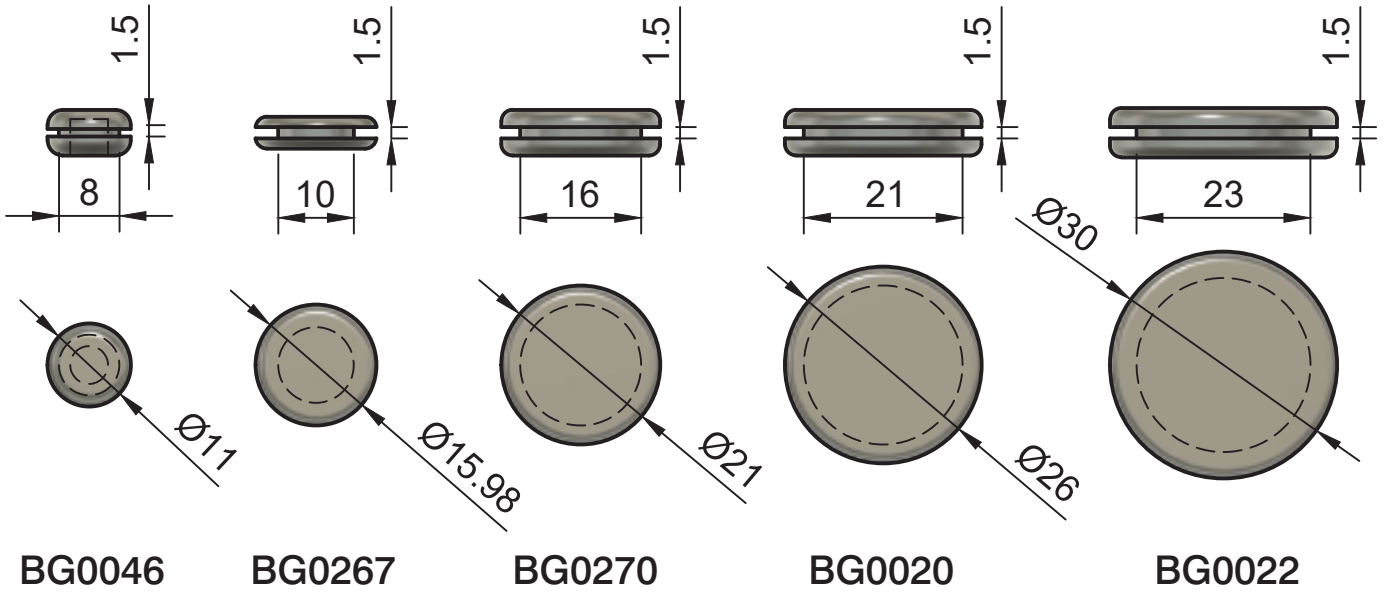
## Uses of grommets

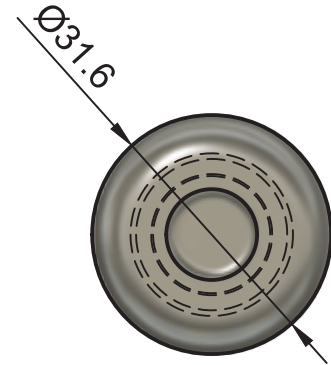
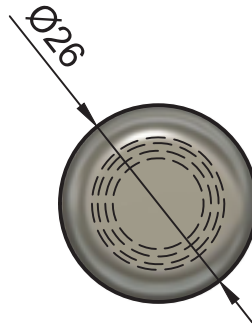
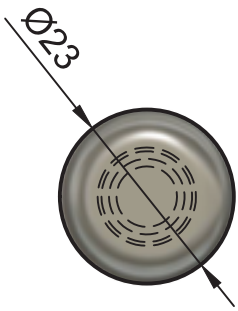
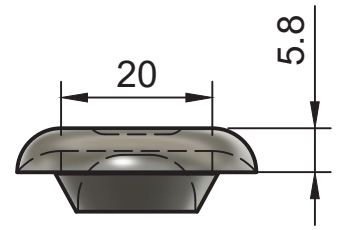
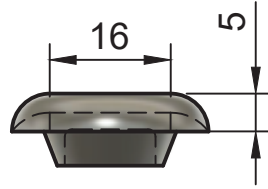
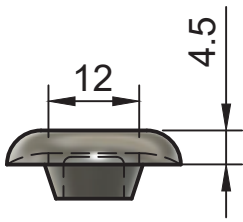
Grommets are commonly used where a wire needs to pass through a surface. It serves as a barrier between the wire or pipe that needs to fit through the hole, this keeps the wire in place and protects the wire or pipe from chafing or cutting on the panel. When the correct hole and wire sizes are used it will also function as a waterproofing seal. Blind grommets are used to make holes air and water tight where wire grommet holes were made.







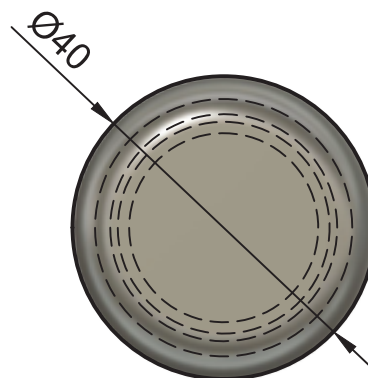
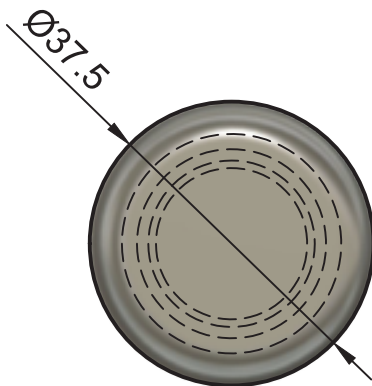
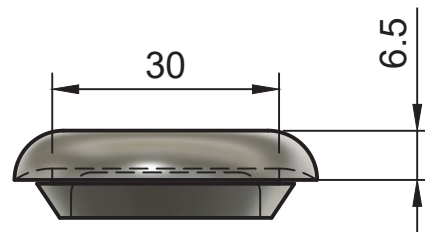
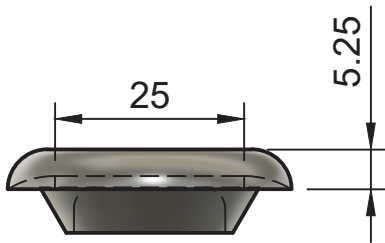




**BG0040**

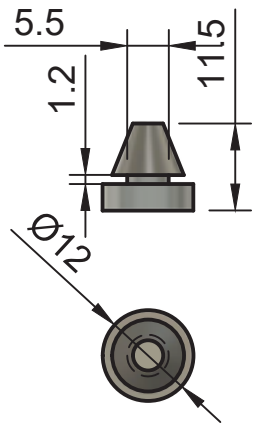
**BG0043**

**BG0042**

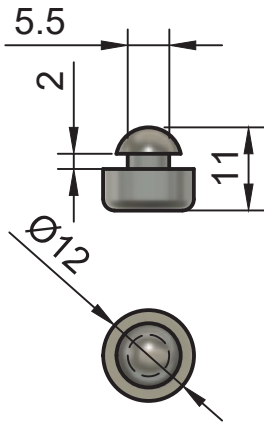


**BG0044**

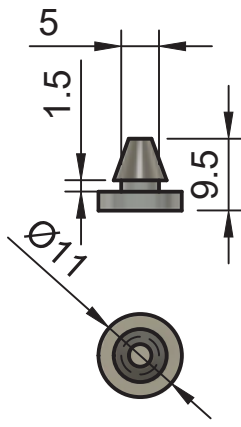
**BG0041**



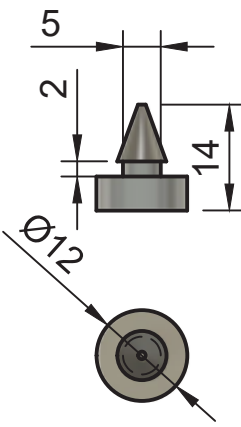
FG0103



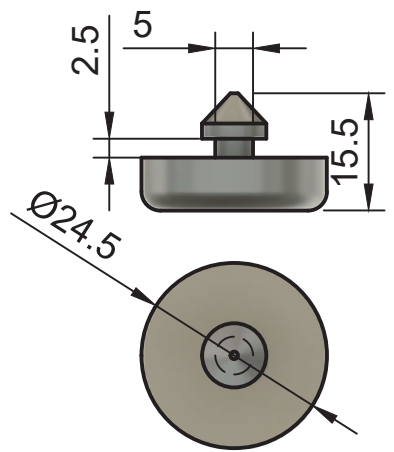
FG0265



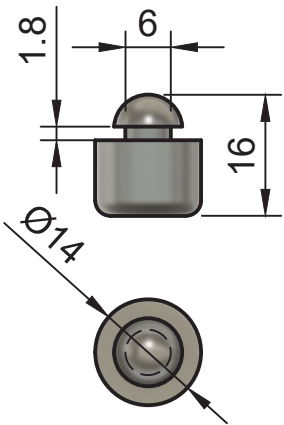
FG010901



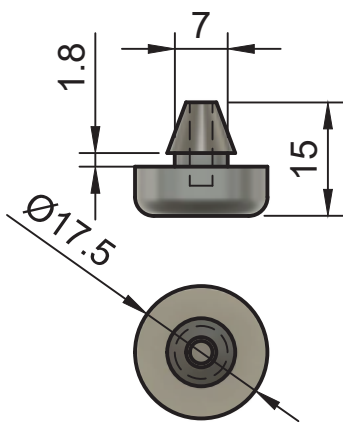
FG0100



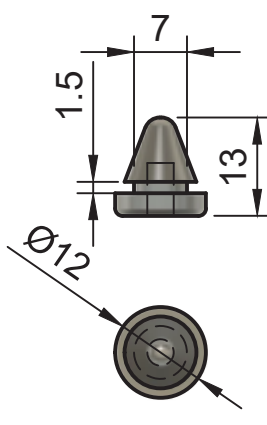
FG0264



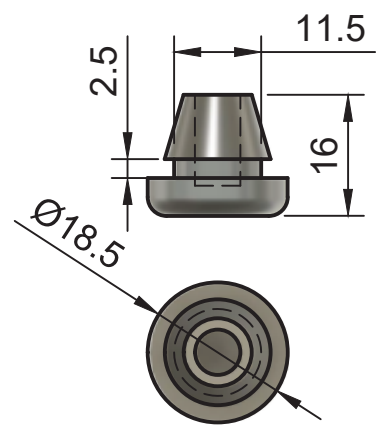
FG0107



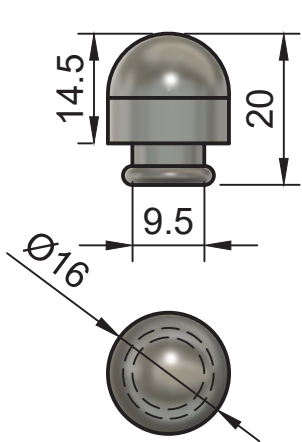
FG01010



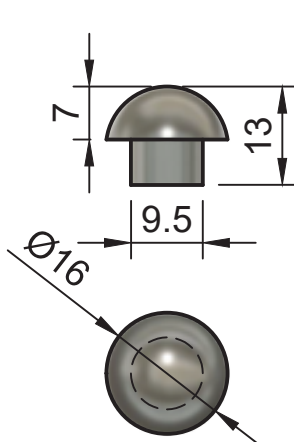
FG0102



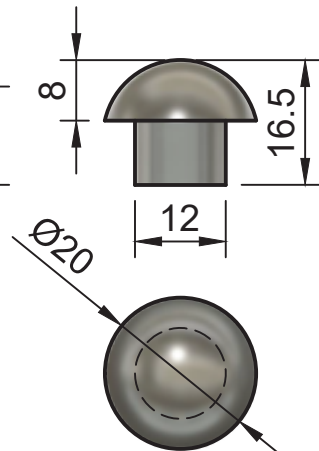
FG0348



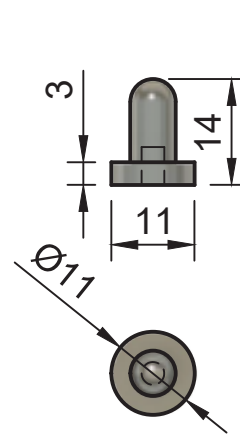
FG0108



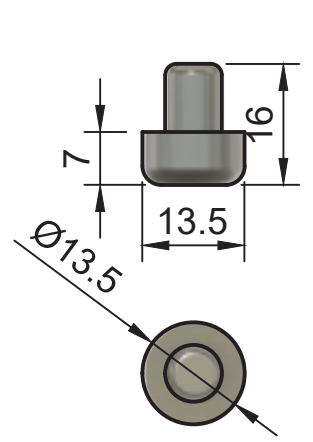
FG0156



FG0157



FG0106

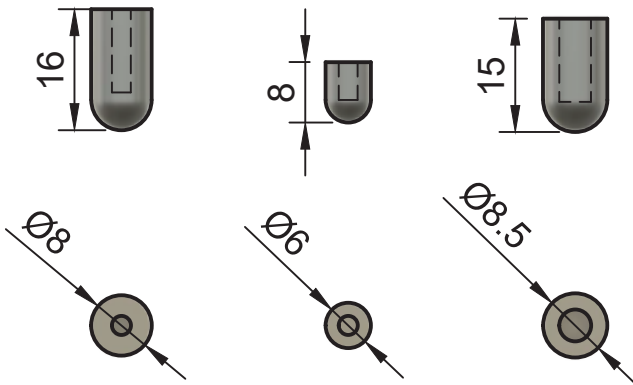
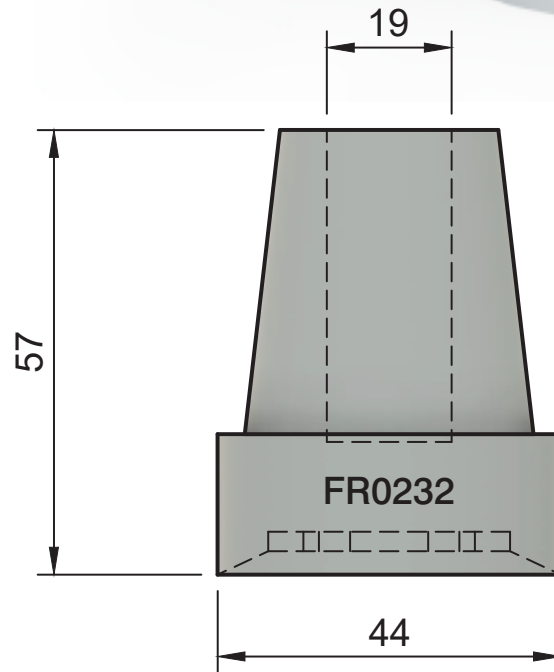
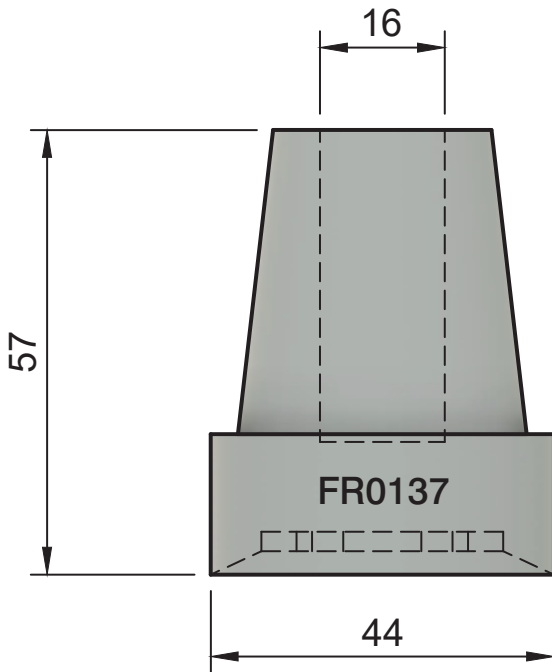


FG0275



## Ferrules

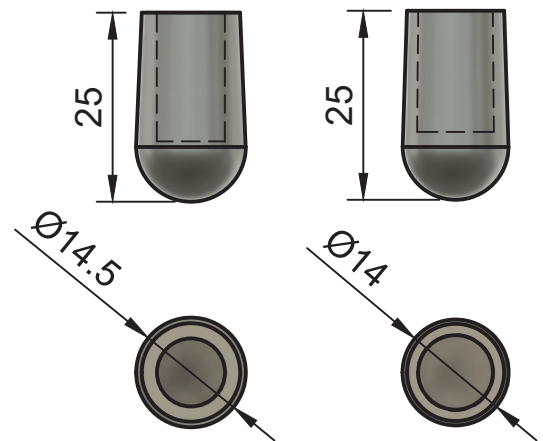
There are many different kinds of ferrules and uses for them. ProAuto Rubber have a variety of ferrules used as feet or stops on tables, chairs, awnings and cruches. Rubber or nitrile ferrules create a barrier between a hard foot and surfaces to stop noise and damage



FR0031

FR0030

FR0035



FR0033

FR0144



FE9



FE12



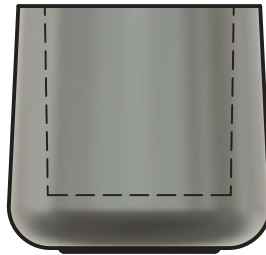
FE16



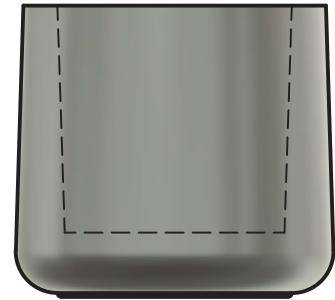
FE19



FE22



FE25



FE32



FE38



**PVC**



FR52



FR5301



FR5401



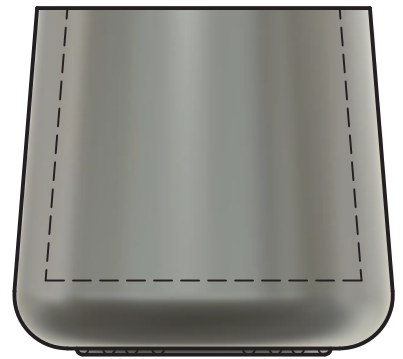
FR5501



FR5601



FR5701



FR310101



FR32801



**RUBBER**



**AAR79-1001**  
Nissan NP200 Exhaust Hanger



**AAR79-1002**  
Opel Exhaust Hanger 1



**AAR79-121**  
Opel Record, Ford Ranger Exhaust Hanger



**AAR79-2011**  
Ford Capri Exhaust Hanger



**AAR79-2013**  
Ford Cortina, Ford Escort Exhaust Hanger



**AAR79-2014**  
Mercedes, Datsun, BMW, Fiat Exhaust Hanger



**AAR79-2050**  
Rubber Exhaust Hanger 1



**AAR79-2071**  
Rubber Exhaust Hanger 2



**AAR79-2233**  
Rubber Exhaust Hanger 3



**AAR79-5019**  
Audi, VW Golf, Passat Exhaust Hanger



**AAR79-5020**  
VW Golf, Jetta Exhaust Hanger



**AAR79-5046**  
Isuzu Exhaust Hanger



**AAR79-5051**  
Nissan, Datsun Exhaust Hanger



**AAR79-5058**  
BMW Exhaust Hanger 1



**AAR79-5061**  
Mitsubishi, Mazda, Toyota Exhaust Hanger



**AAR79-5065**  
Bush Shock Toyota, HiAce Exhaust Hanger



**AAR79-5069**  
Opel, Toyota Exhaust Hanger



**AAR79-5071**  
Ford, Datsun, Alfa Romeo, Rover Exhaust Hanger



**AAR79-5125**  
Ford Exhaust Hanger



**AAR79-5133**  
Opel Exhaust Hanger 2



**AAR79-5139**  
Mazda, Ford Exhaust Hanger



**AAR79-5149**  
Nissan 1 Tonner, Toyota Exhaust Hanger



**AAR79-5150**  
Nissan Exhaust Hanger



**AAR79-5153**  
Opel Exhaust Hanger 3



**AAR79-5247**  
BMW Exhaust Hanger



**AAR79-5252**  
Rubber Exhaust Hanger 4



**AAR79-5262**  
Toyota Quantum Exhaust Hanger



**AAR79-5267**  
Opel Exhaust Hanger 4



**AAR79-5276**  
Mazda Exhaust Hanger



**AAR79-5290**  
Rubber Exhaust Hanger 5



**AAR79-5291**  
Exhaust Hanger VW Golf, Jetta



**AAR79-5295**  
Toyota HiAce, Hilux Exhaust Hanger



**AAR79-5326**  
Rubber Exhaust Hanger 6

**AAR79-5815**  
Fiat Exhaust Hanger

**AAR79-997**  
VW Golf - Jetta Exhaust Hanger

## Dust covers



**AAR79-463**  
Dust Cover Ball Joint ID40mm

**AAR79-462**  
Dust Cover Ball Joint ID34mm

**AAR79-461**  
Dust Cover Tie Rod ID31mm



**AAR79-032/2025**  
Bush Shock Universal



**AAR79-033**  
Toyota, Nissan, Mazda, Isuzu Shock Bush



**AAR79-2062**  
TB Ford Bush



**AAR79-5080**  
Shock Bush



**AAR79-5088**  
TB Nissan Bush



**AAR79-5092**  
Ford Courier, Isuzu, Mazda Shock Bush



**AAR79-5343**  
Nissan 1 Tonner Shock Bush



**AAR79-5376**  
Toyota Quantum Shock Bush



**AAR79-5379**  
Nissan 1 Tonner Bush Shock



**AAR79-5394**  
Ford Courier, Mazda B Series Bush Shock



**AAR79-6416**  
TB Toyota HiAce, Hilux Bush



**AAR79-5552**  
Mitsubishi Bush Shock



**AAR79-6055**  
TB Toyota Hilux Bush



**AAR79-6060**  
Toyota Stabiliser Bush



**PRPR0024**  
PETAL RUBBER CLUTCH&BRAKE



**PR9**  
PEDAL RUBBER VW BEETLE



**PRPR0018**  
TOYOTA HI ACE, CORROLA PEDAL RUBBER



**PRPR0014**  
Nissan E-20 Pedal Rubber



**PRPR0015**  
PEDAL RUBBER NISSAN 1400

## Rubber Mouldings



**prcable002**  
Rubber Cable Protector Short  
Top ID: 6  
Bottom ID: 9  
Length: 82



**PRcable001**  
Rubber Cable Protector Long  
Top ID: 6  
Bottom ID: 10  
Length: 203



**mol46**  
PAR Bumpstop  
127 x 33 x 18  
Hole centers: 93  
hole size : 9 / 6





## TowBAR3

Towe bar with triangular reflector



## TowBAR4

Towe bar with rectangular reflector



## TowBAR1

Towe bar with no reflector



## SOC001

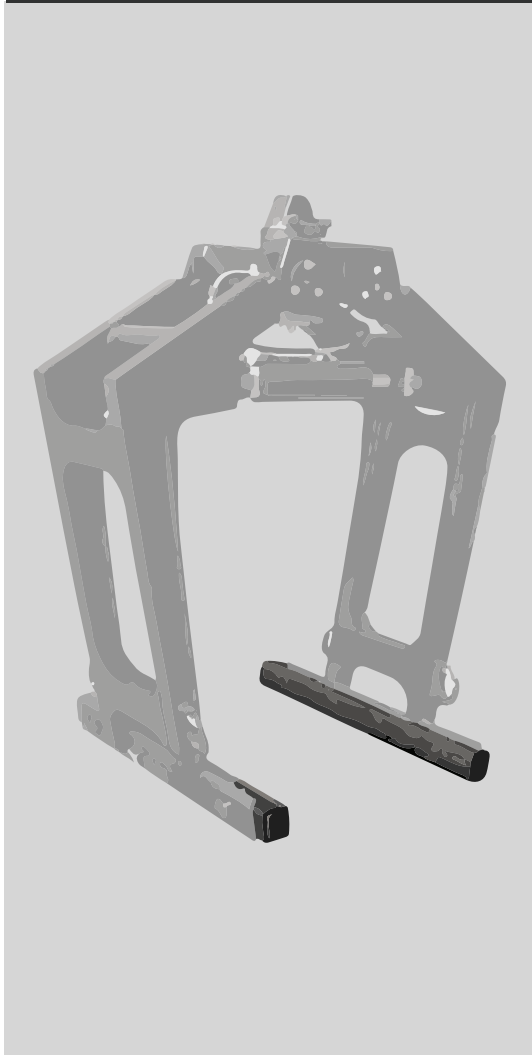
Trailer socket cover



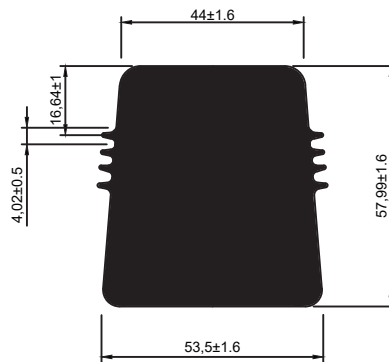
## KOMBI001

VW T3 Kombi bullbar end caps

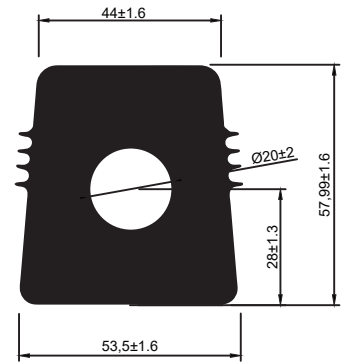
ProAuto Rubber extruded brick grab rubber profiles are made of durable, high strength EPDM rubber compound. Our brick grab rubbers come in a standard size of 1.2m but we can also cut to length. We have a variety of profiles to fit most grabs. We also offer manufacturing of custom profiles



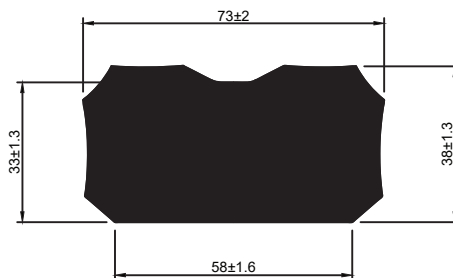
DE2761 - SOLID



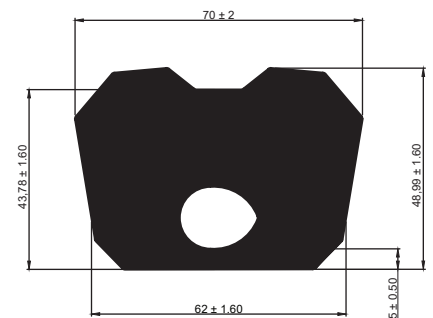
DE2761 WITH HOLE



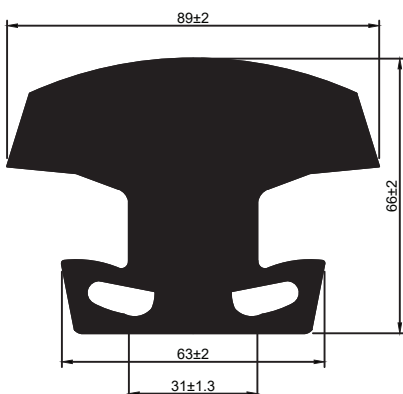
DE2770 SOLID



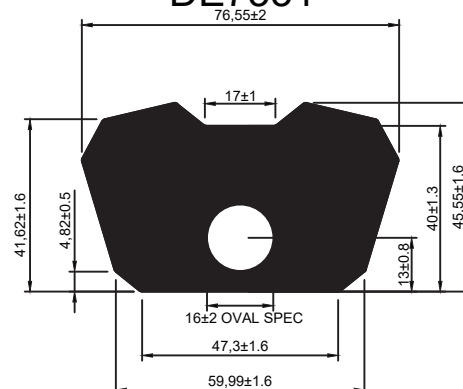
DE7950



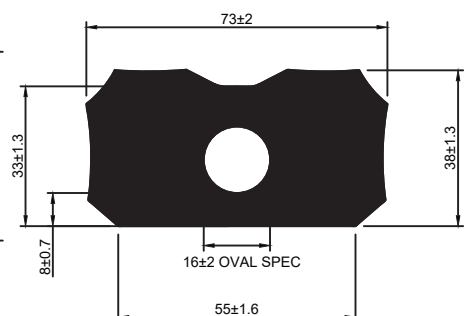
DE6159



DE7331

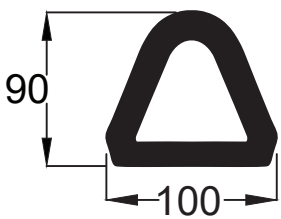


DE2770 WITH HOLE

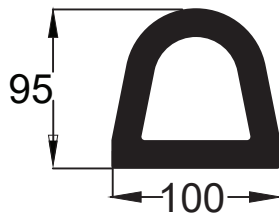




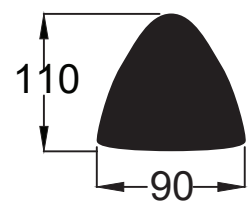
ProAuto Rubber Extruded Dockfenders are made of durable, high strength EPDM rubber compound. See our standard profiles below. Any combination of profiles, lengths and holes are available and more on request



DE9034



DE8341



DE9030

## ProAuto Rubber Moulded Dockfenders

Our molded rubber dockfenders are perfect for trucks and loading bays.



MOL20



DOCK300



DOCK600

## Moulded rubber corner protectors

Protects your corners on brick or concrete building where high traffic might cause damage



21659001



21659010



LB002



PRLP-03



PRLP-02



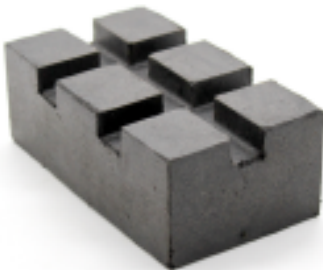
PRLB-LBR/R



PRLB07



PRLB05



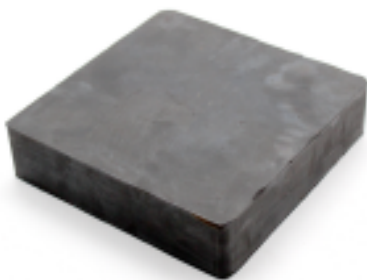
PRLB04



PRLB03



PRLB02



MNPLARG



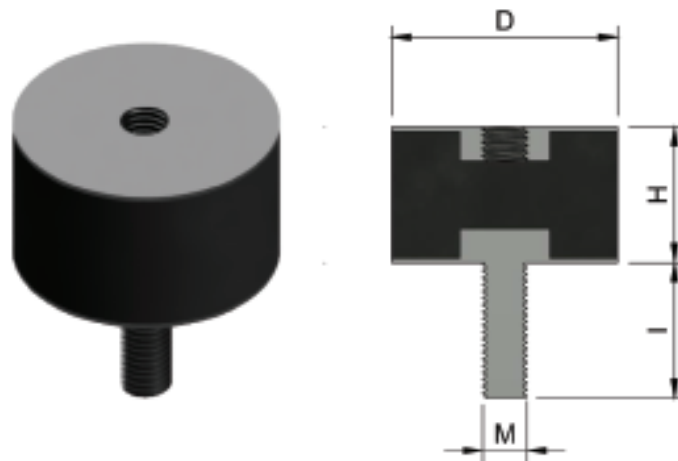
MOL28



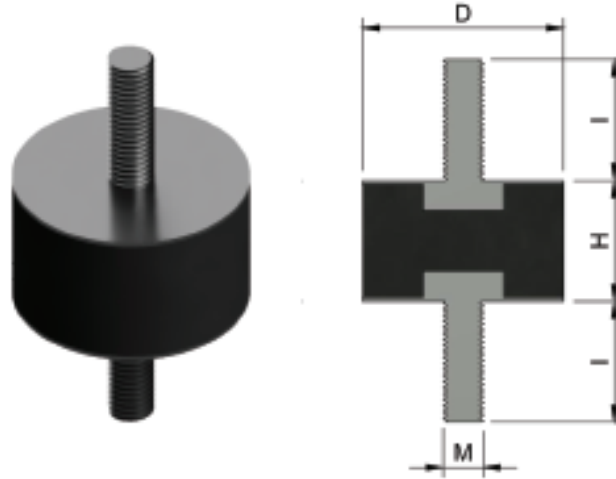
LB004

## ProAuto Rubber Anti Vibration Mounts

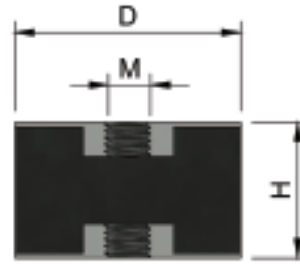
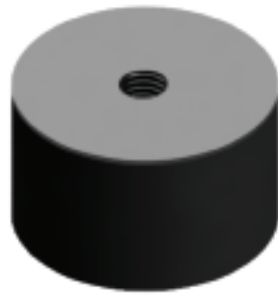
These mounts are used to mount equipment that vibrate during operation to a frame or base. This reduces vibration transmitted by equipment, extending lifespan and reducing noise. Custom sizes available on request



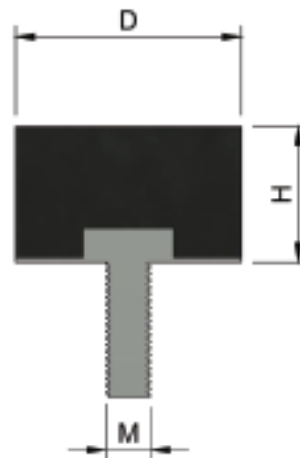
SKU	D	H	d2	I	I2	Shore	Load(kg)	Deflection
11-4-10/FT	10	10	M4	10		60	5	0.8
115-5-10/FT	15	15	M5	10		60	8	1.0
22-6-20/FT	20	20	M5	20		60	16	1.9
252-6-20/FT	25	20	M6	20		45	15	2.0
252-6-20/FT-60	25	20	M6	20		60	25	1.8
32-8-25/FT	30	20	M8	25		60	42	1.6
325-8-25/FT	30	25	M8	25		60	40	2
33-8-20/FT	30	30	M8	20		60	37	2.6
43-8-20/FT	40	30	M8	20		45	42	3
43-10-20/FT	40	30	M10	20		45	42	3
53-10-30/FT	50	30	M10	30		60	156	2.6
54-10-30/FT	50	40	M10	30		60	115	4.0
55-10-30/FT	50	50	M10	30		60	100	4.8
64-10-30/FT	60	40	M10	30		60	171	3.0
74-10-40/FT	75	40	M10	40		60	300	3.7
74-12-40/FT	75	40	M12	37		60	300	3.7
75-10-40/FT	75	50	M10	40		60	250	4.8
75-12-50/FT	75	50	M12	40		60	250	4.8
75-12-50/FT	75	50	M12	50		60	250	4.8
15-16-40/FT	100	50	M16	40		60	550	4.9
155-16-40/FT	100	55	M16	37		60	525	5.4
145-16-50/FT	145	70	M16	47		60	966	9.5
160-16-50/FT	160	70	M16	47		60	1520	8.9



SKU	D	H	d2	l	l2	(Shore)	Load(kg)	Deflection
0707-3-7-7	8	8	M3	6		60	3	0.6
108-4-10/10	10	8	M4	10	10	60	4.3	0.6
11-4-10/10	10	10	M4	10	10	60	5	0.8
115-4-10/10	15	15	M4	10	10	60	8	1.3
115-5-10/10	15	15	M5	10	10	60	8	1.3
22-6-20/20	20	20	M6	20	20	60	16	1.9
251-6-18/18	25	10	M6	18	18	60	40	1.5
252-6-20/20	25	20	M6	20	20	60	25	1.8
32-8-25/25	30	20	M8	25	25	60	42	1.6
32-8-20/40	30	20	M8	20	40	60	42	1.6
325-8-25/25	30	25	M8	25	25	60	40	2.4
33-8-20/20	30	30	M8	20	20	60	37	2.6
43-8-16/16	40	30	M8	16	16	45	42	3.0
43-8-20/40	40	30	M8	20	40	45	42	3.0
43-8-20/50	40	30	M8	20	50	45	42	3.0
43-8-20/50-60	40	30	M8	20	50	60	73	2.8
43-10-20/20	40	30	M10	20	20	45	42	3.0
43-10-20/50	40	30	M10	20	50	45	42	3.0
43-10-20/50-60	40	30	M10	20	50	60	73	2.8
44-8-20/20	40	40	M8	20	20	60	68	4.0
525-10-25/25	50	25	M10	25	25	60	147	2
53-10-30/30	50	30	M10	30	30	60	156	2.6
53-10-30/50	50	30	M10	30	50	60	156	2.6
54-10-30/30	50	40	M10	30	30	60	115	4.0
55-10-30/30	50	50	M10	30	30	60	100	4.8
64-10-30/30	60	40	M10	30	30	60	171	3.0
65-10-30/30	60	50	M10	30	30	60	150	4.5
74-10-40/40	75	40	M10	40	40	60	260	3.4
75-10-40/40	75	50	M10	40	40	60	250	3.5
75-12-40/40	75	50	M12	40	40	60	250	3.5
75-12-50/50	75	50	M12	50	50	60	250	3.5
15-16-40/40	100	50	M16	40	40	60	550	4.2
155-16-50/50	100	55	M16	37	37	60	550	4.5
145-16-50/50	145	70	M16	47	47	60	966	9.5
160-16-50/50	160	70	M16	50	50	60	1520	8.9



SKU	D	H	d2	I	I2	(Shore)	Load(kg)	Deflection
22-6-FT/FT-45	20	20	M6			45	9	1.9
22-6-FT/FT	20	20	M6			60	16	1.9
325-8-FT/FT	30	25	M8			60	40	2
43-8-FT/FT	40	30	M8			45	42	3.0
43-10-FT/FT	40	30	M10			45	42	3.0
53-10-FT/FT	50	30	M10			60	156	2.6
64-10-FT/FT	60	40	M10			60	171	3
75-12-FT/FT	75	50	M12			60	250	4.8
15-16-FT/FT	100	50	M16			60	550	4.9
145-16-FT/FT	145	70	M16			60	966	9.5
160-16-FT/FT	160	70	M16			60	1520	8.9



SKU	D	H	d2	I	I3	Shore	Load (kg)	Deflection
158-4-10/FM	15	8	M4	10		60	15	1.6
2515-618/FM	20	15	M6	18		60	22	1.6
225-6-18FM	20	25	M6	18		60	15	2.5
252-6-18/FM	25	20	M6	18		60	25	1.8
252-8-18/FM	25	20	M8	18		60	25	1.8
32-8-20/FM	30	20	M8	23		60	40	1.6
43-8-20/FM	40	30	M8	18		45	42	3
43-10-18/FM	40	30	M10	18		60	72	3
53-10-30/FM	50	30	M10	28		60	156	2.6
54-10-30/FM	50	40	M10	28		60	115	4
64-10-30/FM	60	40	M10	28		60	171	3
72-12-40/FM	75	50	M12	37		60	250	3.5
15-16-40/FM	100	50	M16	37		60	550	4.2



## ProAuto Rubber CV & Steering boots

We have a large selection of CV & Steering boots available online



PARMegastore serves as an online catalog with prices updated live. To find products easily use the search bar or go through the menu and filter products by tag.

Many of our product ranges have been developed by us for customers. If you need a custom part dont hesitate to call.

Our online store has an easy and secure checkout system and ships within 4 days of payment. There is also a local pickup option in case you want to collect it yourself or send a driver.

Our catalog is always expanding so keep an eye on our website. Subscribe to our mailing list to receive price updates and new product announcements



Find all these catalogues and products on our online store. Keep an eye on our facebook page for updates, specials and new products.

Find us at [www.parmegastore.com](http://www.parmegastore.com)

Or visit us in store at  
8 Oscar street, Hughes X15, Boksburg

If you have any questions please mail  
us

[info@proautorubber.co.za](mailto:info@proautorubber.co.za)

Or call

011 823 5541



**PAR**<sup>®</sup>  
**MEGASTORE**



# Interior & Boot mats



Over 100 options available  
[parmegastore.com](http://parmegastore.com)



Extensive range of rubber extrusions at [www.parmegastore.com](http://www.parmegastore.com)  
 and in store at 8 Oscar street, Hughes, Boksburg

## DUST SEAL KITS



We stock dust seal kits for:  
 Amarok, Ranger, Navara,  
 X-Series & Hilux.

Premium, custom made  
 dust sealing kits.

