



PROAUTO RUBBER

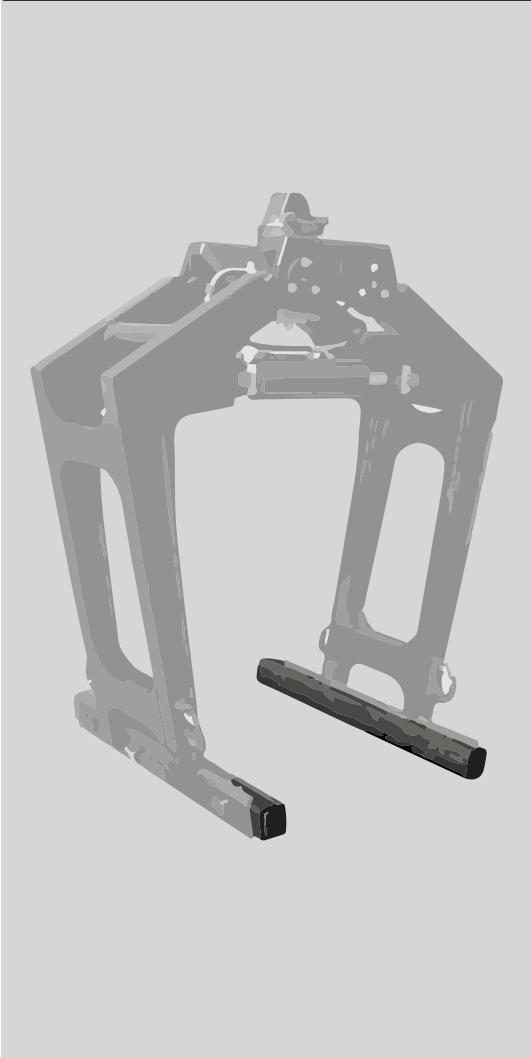
2021



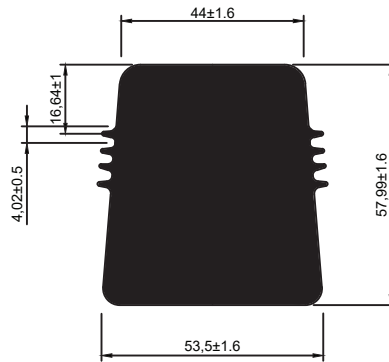
**Brick grabs & Dockfenders**

**Catalogue**

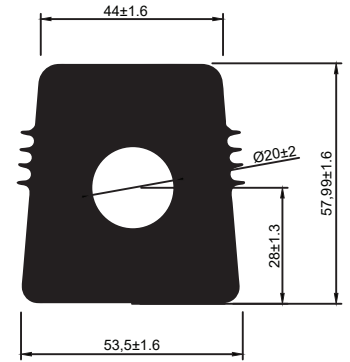
ProAuto Rubber extruded brick grab rubber profiles are made of durable, high strength EPDM rubber compound. Our brick grab rubbers come in a standard size of 1.2m but we can also cut to length. We have a variety of profiles to fit most grabs. We also offer manufacturing of custom profiles



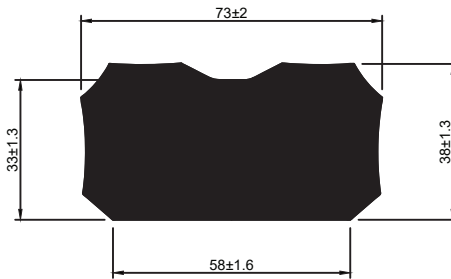
DE2761 - SOLID



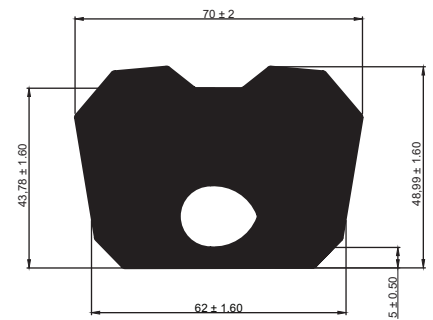
DE2761 WITH HOLE



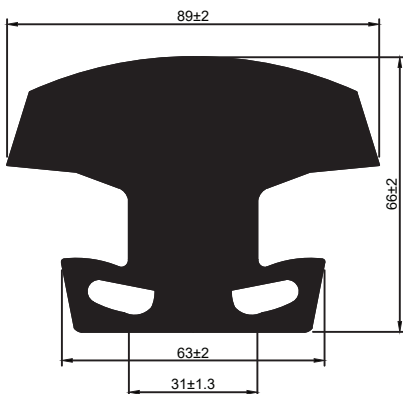
DE2770 SOLID



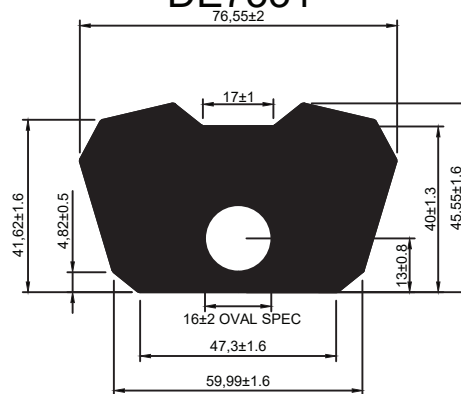
DE7950



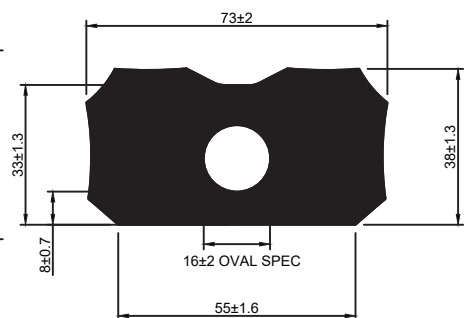
DE6159



DE7331

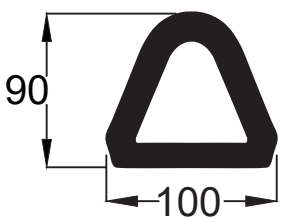


DE2770 WITH HOLE

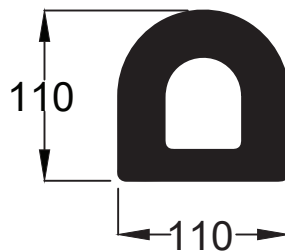




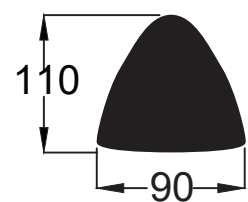
ProAuto Rubber Extruded Dockfenders are made of durable, high strength EPDM rubber compound. See our standard profiles below. Any combination of profiles, lengths and holes are available and more on request



DE9034



DE7711



DE9030

## ProAuto Rubber Moulded Dockfenders



MOL20

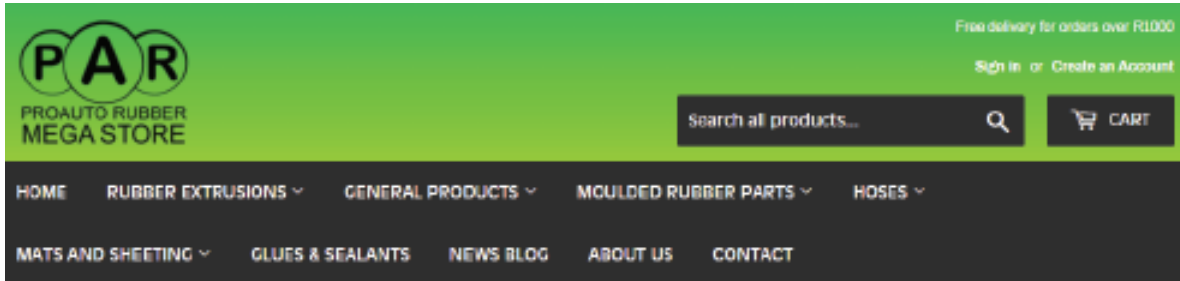


DOCK300



DOCK600

Discover more on [parmegastore.com](http://parmegastore.com)



## PRO AUTO RUBBER | TOTAL SEALING SOLUTIONS

At Pro Auto Rubber our dedicated sales team is always ready to assist in finding the part or profile you need, We stock a large variety of rubber products like weather-stripping, edge trims, door seals, windscreen rubber and many more rubber extrusion profiles.

### SHOP FOR

[More categories](#)



### SHOP FOR

[More categories](#)

